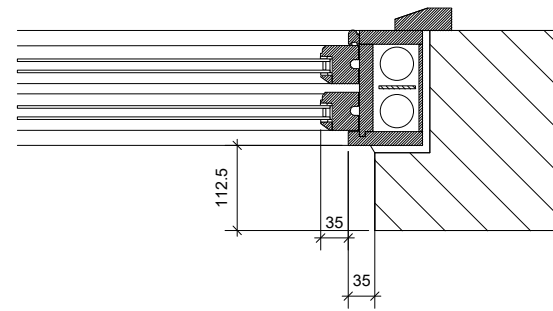
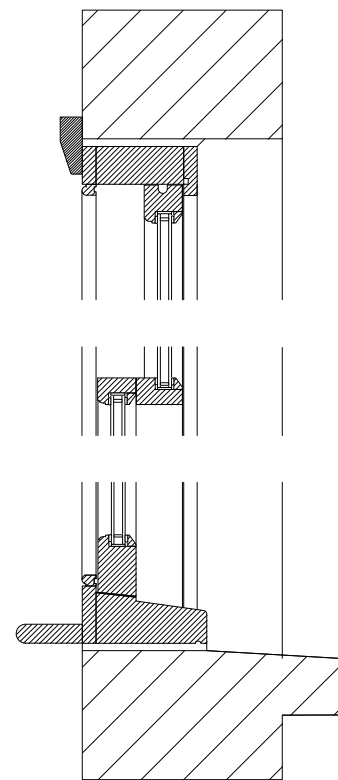


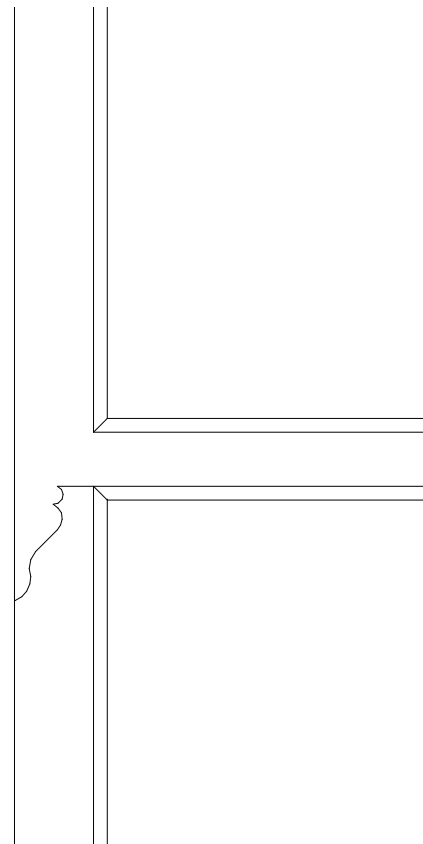
Sash window - jamb detail 1:5@A1, 1:10@A3



Sash window with vertical glazing bars - jamb detail 1:5@A1, 1:10@A3



Sash window - cill / head detail 1:5@A1, 1:10@A3



Sash window - horn detail 1:2@A1, 1:4@A3

Windows A, C, D, E, F

Revisions

P1 - 26/11/23 - Planning Conservation Area Consent Application