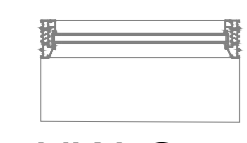


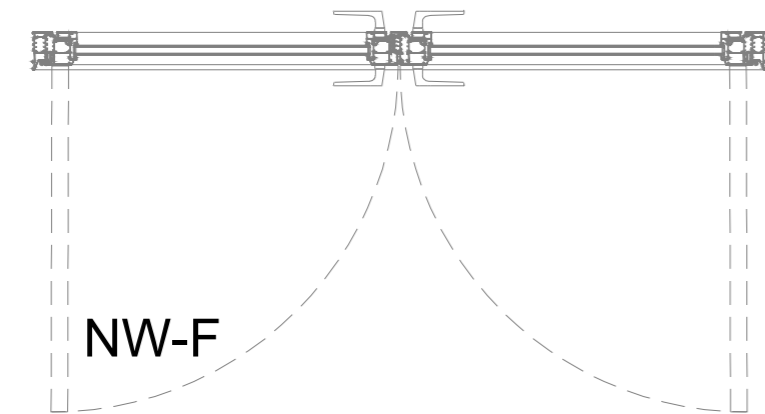
PPC Aluminium Fixed Glazed Screen

PPC Aluminium Glazed Doors

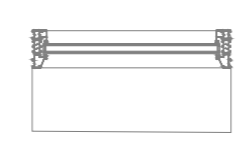
PPC Aluminium Fixed Glazed Screen



NW-G



NW-F



NW-E

Client MOTHERSOLE BUILDERS LIMITED		
Project GATE HOUSE COTTAGE, SCHOOL LANE, RISBY, SUFFOLK, IP28 6RQ		
Drawing PROPOSED WINDOWS & DOORS SHEET 2 OF 2		
Scale 1:20@A2	Purpose of Issue PLANNING	
Date Nov. 23	Date plotted Nov.23	Initial PH
Job Number 4592	Drawing number 014	Revision
BROWN & SCARLETT ARCHITECTS		
<small>1 Old Hall Barns , Thurston Road, Pakenham, Bury St Edmunds, Suffolk IP312NG Tel: 01284 768800 Fax: 01284 702880 Email: info@brownandscarlett.co.uk</small>		

Only figured dimensions are to be used for construction purposes. This drawing must be read in conjunction with all relevant details for the project. All dimensions are to be checked on site prior to commencement and any discrepancy reported to the Architect or Contract Administrator
© Brown & Scarlett Architects 2018

Revisions