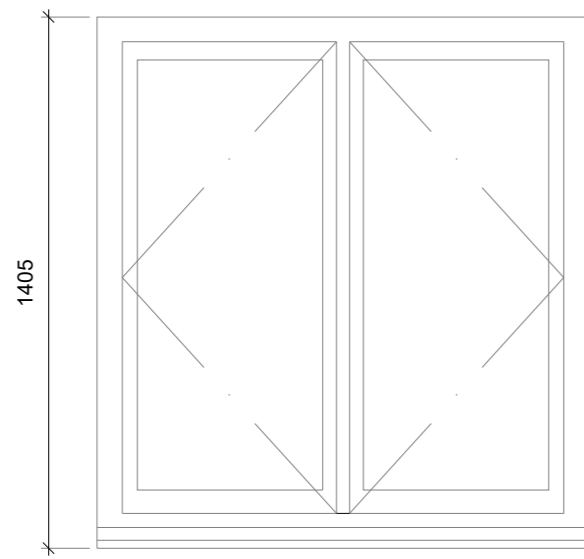


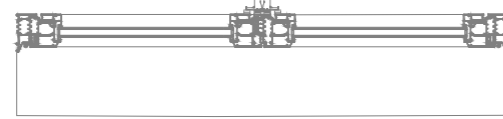
PPC Aluminium Glazed Casement Windows



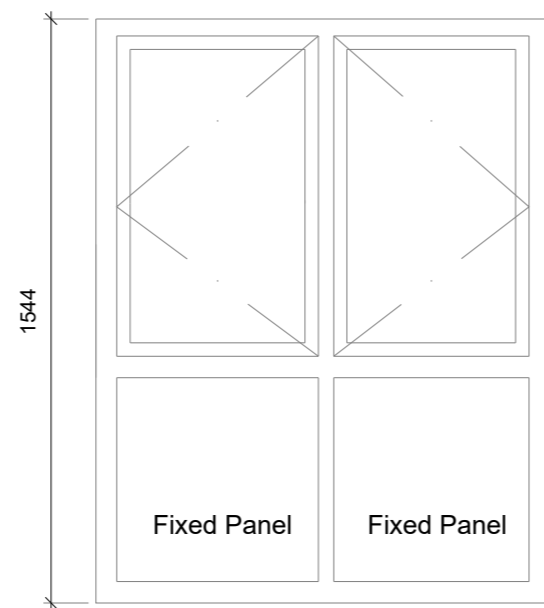
NW-J



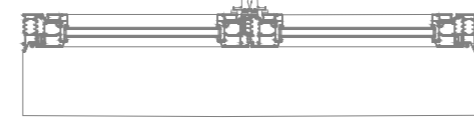
PPC Aluminium Glazed Casement Windows



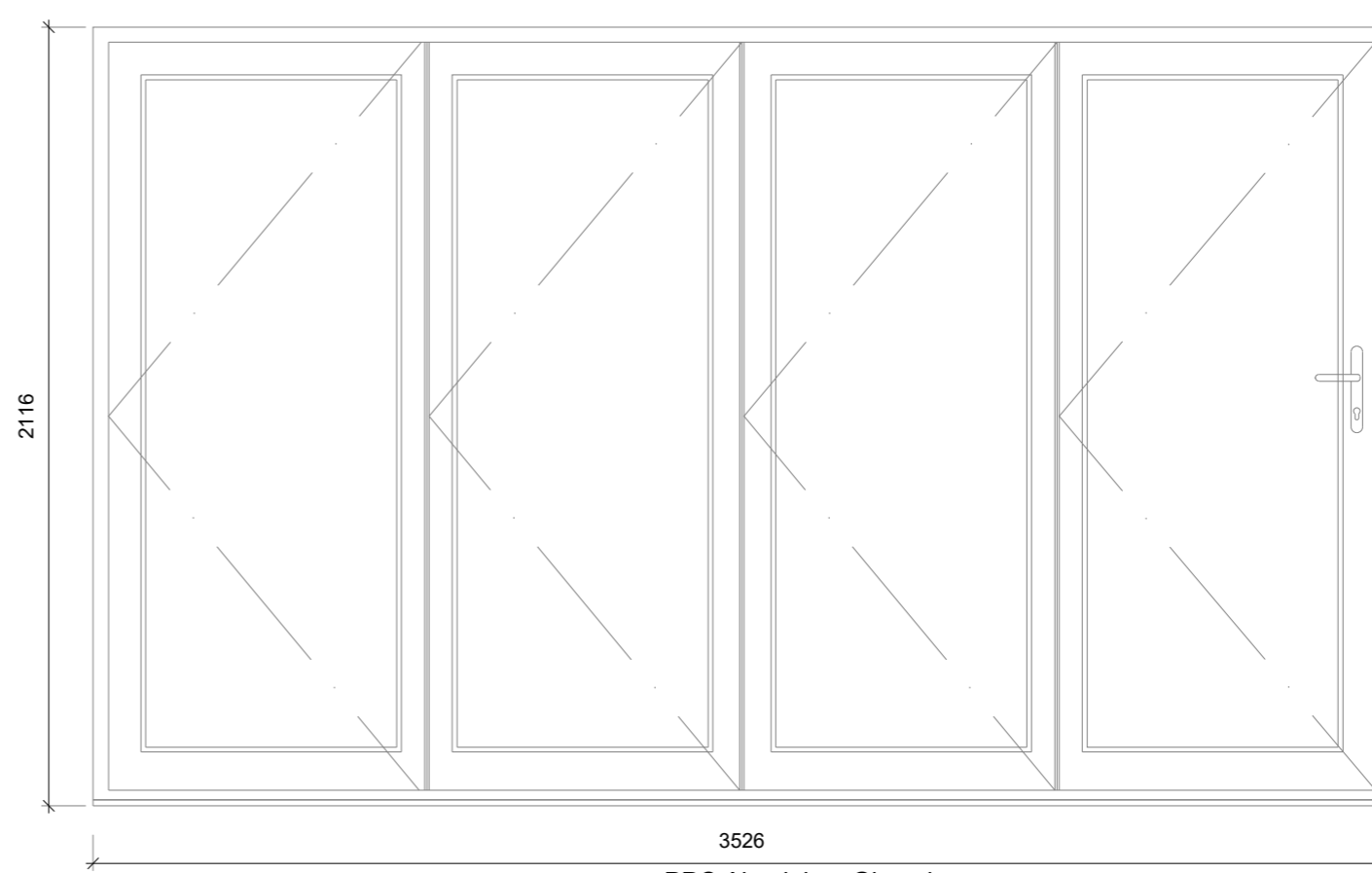
NW-H



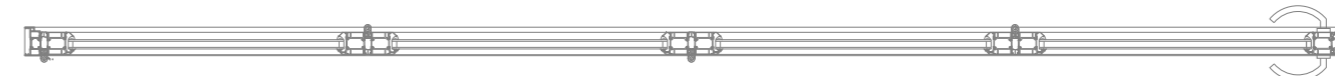
PPC Aluminium Glazed Casement Window and Screen



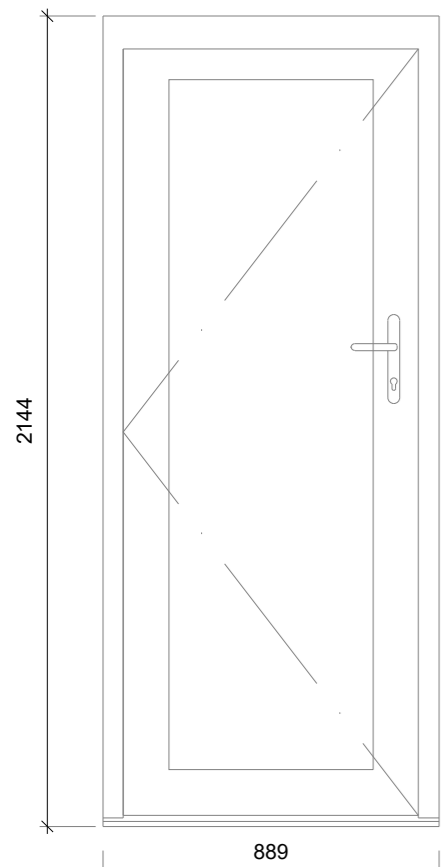
NW-K



PPC Aluminium Glazed Bi- Folding Doors



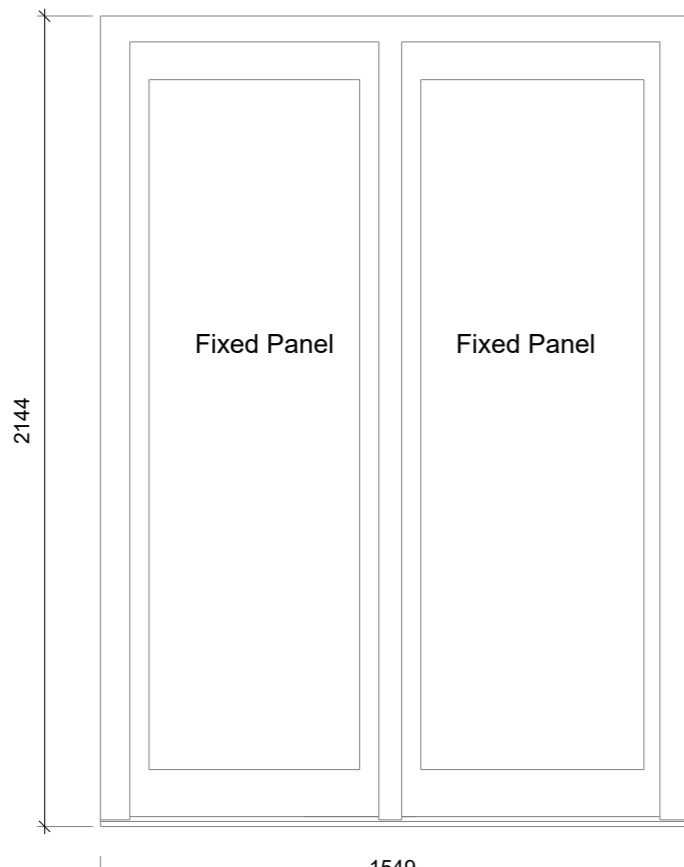
ND-3



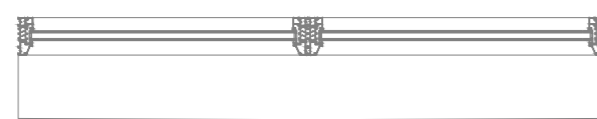
PPC Aluminium Glazed Doors



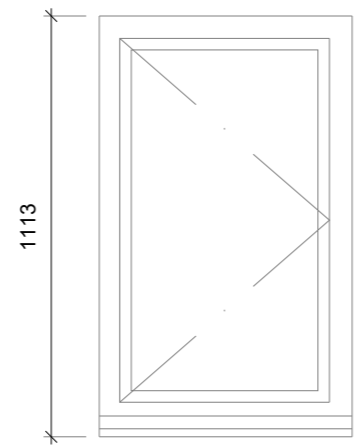
ND-4



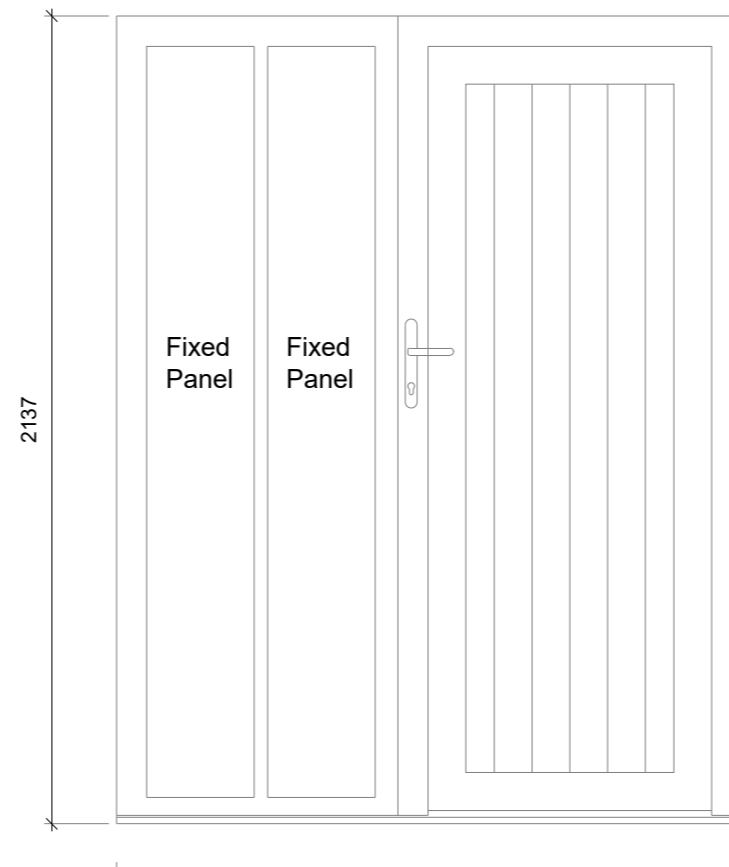
PPC Aluminium Fixed Glazed Screen



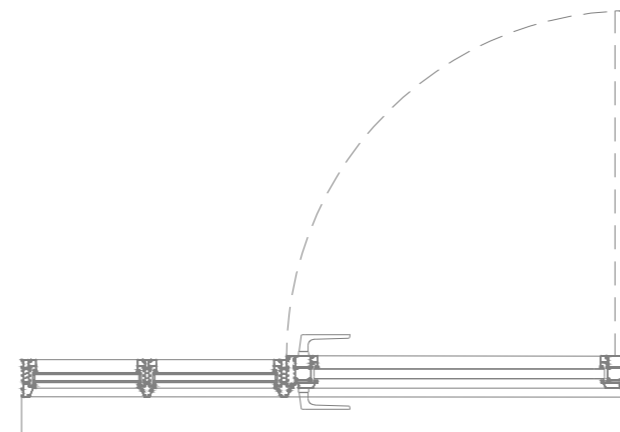
NW-I



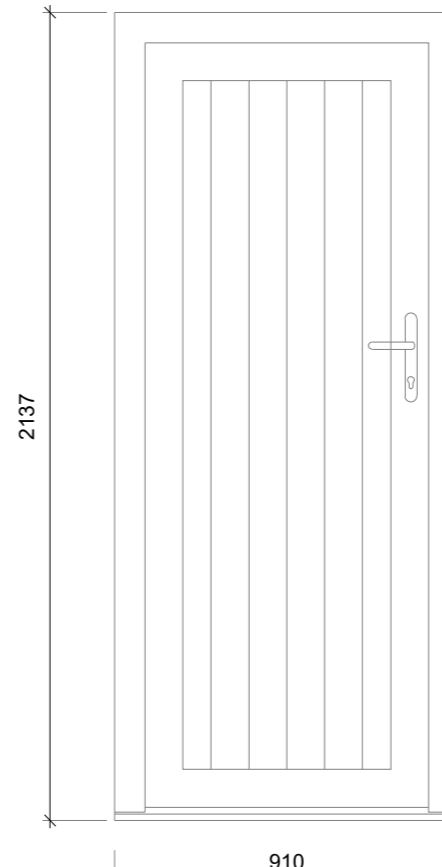
PPC Aluminium Glazed Casement Windows



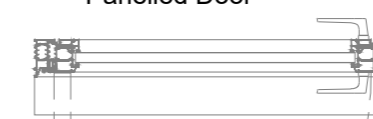
PPC Aluminium Panelled Door and Fixed Glazed Screen



ND-1



PPC Aluminium Panelled Door



ND-2

Note:
All new window and door frames, beads, glazing bars etc are to be thermally broken double glazed PPC Aluminium

Client MOTHERSOLE BUILDERS LIMITED		
Project GATE HOUSE COTTAGE, SCHOOL LANE, RISBY, SUFFOLK, IP28 6RQ		
Drawing PROPOSED WINDOWS & DOORS - SHEET 1 OF 2		
Scale 1:20@A2	Purpose of Issue PLANNING	
Date Nov. 23	Date plotted Nov.23	Initial PH
Job Number 4592	Drawing number 013	Revision

BROWN & SCARLETT ARCHITECTS

1 Old Hall Barns , Thurston Road, Pakenham, Bury St Edmunds, Suffolk IP312NG
Tel: 01284 768800 Fax: 01284 702880 Email: info@brownandscarlett.co.uk

Only figured dimensions are to be used for construction purposes. This drawing must be read in conjunction with all relevant details for the project. All dimensions are to be checked on site prior to commencement and any discrepancy reported to the Architect or Contract Administrator
© Brown & Scarlett Architects 2018

Revisions