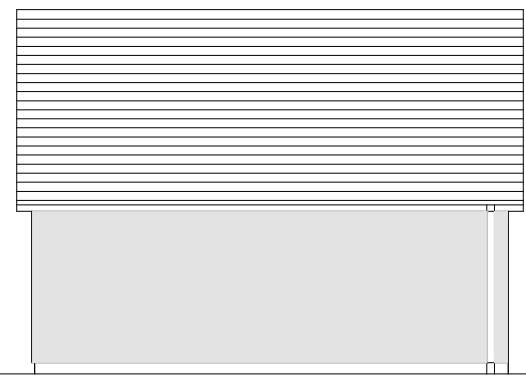
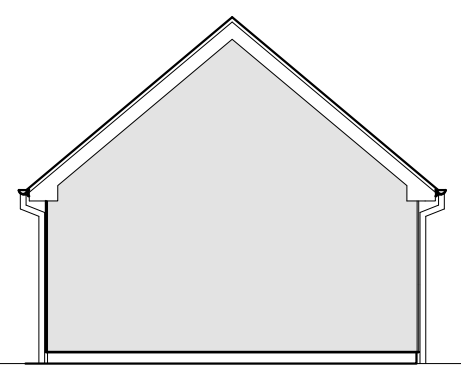


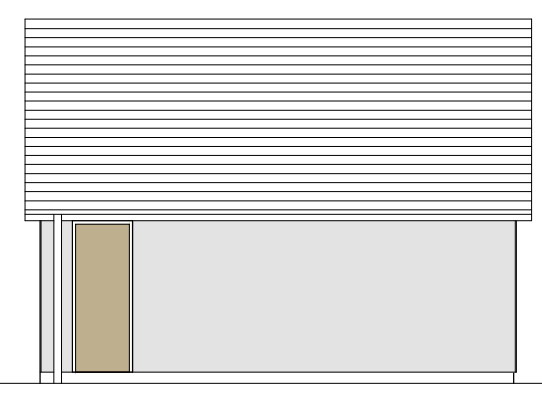
Proposed North West Elevation
 1:100 @ A3



Proposed South West Elevation
 1:100 @ A3



Proposed South East Elevation
 1:100 @ A3



Proposed North East Elevation
 1:100 @ A2



Proposed Wall Finish:
 Wetdash Render



Proposed Roof Finish:
 Natural Slate



jbrewster@urds.co.uk
 07827 947 143

Project:
 Former Retreat
 Little Dunkeld,
 Birnam
 Perth,
 Perthshire

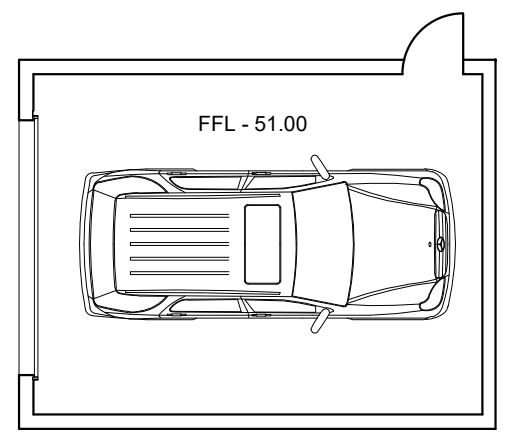
Client: Mr & Mrs McLean

Title:
 Proposed Garage Plans
 and Elevations

Status:
 For Planning

Ref: PL(20)003 Revision: A

Scale: 1:100 Date: 14/11/2023



Proposed Ground Floor Plan
 1:100 @ A3



Proposed Roof Plan
 1:100 @ A3