



your energy assessor

**Fenton Energy Ltd.**

Ground Floor  
Parker Court  
Knapp Lane  
Cheltenham  
GL50 3QJ

01242 506150

info@fentonenergy.co.uk

www.fentonenergy.co.uk



**PROJECT NAME**

423 Whitehall Road

**DATE**

12<sup>th</sup> October 2023

**ASSESSOR**

Benjamin Leech

# ENERGY STRATEGY

Compliance with BCS14

# Energy Strategy

**Project:** 5231KJ – 2023.09 SBEM (Whitehall Road – Crossman Acquisitions)

## Contents

Executive Summary.....	3
Total CO2 Reduction Beyond Residual Emissions.....	3
Total CO2 Reduction Beyond Part L TER.....	3
Result .....	3
Design Principles to Reduce Energy Consumption and Carbon Emissions .....	4
Fabric.....	4
Fenestration and Solar Gain.....	4
Mechanical Services.....	5
Lighting.....	5
Renewables.....	6
Overall Performance .....	6
Proposed Fabric and Services Specification.....	7
Table 1 – Baseline Compliance and Energy Efficiency Measures .....	7
Table 2 – Non-Residential Energy Efficiency.....	8
Table 3 – Energy Efficiency Measures.....	8
Table 5 – Feasibility Matrix of Appropriate Renewables .....	9
Fig. 1 – Aerial Image of the Site – Overshading Risk.....	10
Heat Hierarchy .....	10
Table 6 – Following the Heat Hierarchy.....	10
Fig. 2 – Bristol City Council Heat Networks Map .....	11
Feasibility of Appropriate Renewables - Conclusion .....	12
Appropriate Solution(s).....	12
Table 7 – Proposed Renewables.....	13
Table 8 – Renewables Specification (Detail) .....	13
Table 9 – Installed Renewables Capacity .....	13
Table 10 – Summary Table for Renewables.....	14
Appendix A – Photovoltaic Panels .....	15
What are Photovoltaic Panels?.....	15
Space Requirements .....	15
Installation Costs, Funding, Maintenance and Payback .....	16
Advantages of Photovoltaic Panels.....	16
Disadvantages of Photovoltaic Panels .....	16
Solar Panel Example.....	17
Appendix B – Solar Thermal Panels .....	19
What is Solar Thermal Energy?.....	19
Space Requirements .....	19



## Energy Strategy

**Project:** 5231KJ – 2023.09 SBEM (Whitehall Road – Crossman Acquisitions)

---

Installation Costs, Funding, Maintenance and Payback .....	20
Planning Requirements.....	20
Advantages.....	20
Disadvantages .....	20
Appendix C – Air Source Heat Pumps .....	21
What are Air Source Heat Pumps?.....	21
Space Requirements .....	22
Installation Costs, Funding, Maintenance and Payback .....	22
Planning .....	22
Advantages.....	22
Disadvantages .....	22
Air Source Heat Pump Example .....	23
Appendix D – Ground Source Heat Pumps .....	25
What are Ground Source Heat Pumps?.....	25
Space Requirements .....	25
Installation Costs, Funding, Maintenance and Payback .....	26
Planning Requirements.....	26
Advantages.....	26
Disadvantages .....	26
Appendix E – Biomass .....	27
What is Biomass? .....	27
Space Requirements .....	27
Installation Costs, Funding, Maintenance and Payback .....	27
Planning .....	28
Advantages.....	28
Disadvantages .....	28
Appendix F – Combined Heat and Power .....	29
What is Combined Heat and Power? .....	29
Space Requirements .....	29
Installation Costs, Funding, Maintenance and Payback .....	30
Advantages.....	30
Disadvantages .....	30
Appendix G – District Heating .....	31
What is District Heating? .....	31
Space Requirements .....	31
Installation Costs, Funding, Maintenance and Payback .....	31
Advantages.....	32
Disadvantages .....	32



## Energy Strategy

**Project:** 5231KJ – 2023.09 SBEM (Whitehall Road – Crossman Acquisitions)

---

### Executive Summary

This Energy Assessment has been compiled to demonstrate compliance with the Bristol City Council Policy BCS14 (from the Development Framework Core Strategy).

The proposal is for the addition of three extensions to the existing building at 423 Whitehall Road, Bristol, BS5 7BP along with its conversion to form a 20-bedroom House of Multiple Occupation (HMO). A two-storey extension is proposed to the rear (replacing part of the existing building) along with an additional floor to the existing single storey side extension of the main building and a loft conversion with a rear dormer.

Following the methodology outlined in the Climate Change and Sustainability – Practice Note (including the Practice Note Addendum – January 2023), SBEM calculations have been completed in stages to demonstrate a 20% reduction in regulated carbon emissions.

Firstly, SAP calculations achieving Part L TER (2021 edition incorporating 2023 amendments – for use in England) were modelled to provide 'baseline' energy demand and emissions. The extensions have been modelled to new-build standards as between them they meet the criteria of being both over 100m<sup>2</sup> and greater than 25% of the existing floor area as per Approved Document L2 2021. Then, additional measures were applied to provide 'residual' energy demand and emissions. Finally, appropriate decentralised renewables were included in the SBEM calculations to provide the final energy demand and emissions figures for comparison, as well as to achieve TPER compliance and thus full Building Regulations compliance. More detail is provided in the following sections. The carbon emission factors used in this assessment are relevant to the current Part L.

To summarize the results, the total reduction in carbon emissions from on-site renewables is as follows:

#### Total CO2 Reduction Beyond Residual Emissions

**21.80%**

#### Total CO2 Reduction Beyond Part L TER

**57.23%**

Result

**Pass**



## Energy Strategy

**Project:** 5231KJ – 2023.09 SBEM (Whitehall Road – Crossman Acquisitions)

---

### Design Principles to Reduce Energy Consumption and Carbon Emissions

#### Fabric

With the change to Part L of the building regulations in 2022, lower U-values are now required in order to achieve minimum elemental compliance. Given the proposed design, it is likely that traditional construction methods, such as a blockwork cavity wall, concrete ground floor and insulation between and below roof rafters and joists will allow these to be achieved, although higher levels of insulation will be required.

The system chosen for the thermal elements should be paired with good detailing in order to limit losses through non-repeating thermal bridges, such as corners, jambs or eaves. Precalculated details such as Constructive Details are available which provide pre-calculated psi-values which could be applied to these extensions.

All new thermal elements will meet or exceed the minimum requirements of Part L of the Building Regulations.

#### Fenestration and Solar Gain

Low U-values will need to be specified for the fenestration in order to restrict heat losses.

Advanced double glazing will be specified to limit heat losses and to control solar gains, with the window performance chosen to balance solar gains in winter to help heat the building while preventing overheating in summer.



## Energy Strategy

**Project:** 5231KJ – 2023.09 SBEM (Whitehall Road – Crossman Acquisitions)

---

### Mechanical Services

A well-designed building envelope must be supplemented by appropriate services within the building.

With the decarbonisation of the grid, electric heating and hot water provision is preferred over local fossil fuel solutions. This has the added benefit of not requiring fuel deliveries and no combustion on site, leading to better air quality.

An air source heat pump is proposed for this development. This could be discretely located in (for example) the bin store area where it would provide renewable heating and hot water to the HMO without affecting access to the building.

Additionally, efficient mechanical extract fans will be installed to the wet rooms.

### Lighting

It is proposed that only highly energy efficient lighting is installed to the HMO and to any outdoor lighting.

Modern LED lighting technology means that very high efficiencies are possible. It is proposed that all light fittings should have luminaires with an efficacy of at least 120 lumens per circuit-watt.



## Energy Strategy

**Project:** 5231KJ – 2023.09 SBEM (Whitehall Road – Crossman Acquisitions)

---

### Renewables

In addition to the proposed heat pump, it should be possible to mount solar photovoltaic (PV) panels on the main roof to generate electricity on site.

Other forms of renewable technologies are explored later in this report.

### Overall Performance

The following tables detail how the proposed works can be specified at this stage, incorporating the above principles. Also displayed is how the site would perform in relation to the building regulations and the planning requirements for BCS14.

## Energy Strategy

Project: 5231KJ – 2023.09 SBEM (Whitehall Road – Crossman Acquisitions)

### Proposed Fabric and Services Specification

Table 1 – Baseline Compliance and Energy Efficiency Measures

Showing the specification used to achieve compliance with Part L. As the TER is used as a baseline emissions figure, this specification incorporates additional energy efficiency measures which go over and above the minimum requirements – these are denoted in **bold** below.

Category	Item	Value/Details
<b>Building Fabric</b> (W/m <sup>2</sup> K)	Ground Floor	<b>0.13</b>
	Exposed Floor	0.15
	External Walls	<b>0.16 (Dormer Wall)</b> 0.18 (Cavity Wall)
	Pitched Roof, Flat/Sloping Ceiling	<b>0.11/0.13</b>
	Flat Roof	<b>0.13</b>
<b>Fenestration</b> (W/m <sup>2</sup> K)	Solid Door	1.60
	Windows and Glazed Doors	<b>1.20 (g-value 0.45)</b>
	Rooflights	<b>1.30 (g-value 0.47)</b>
<b>Ventilation</b>	Air Permeability (m <sup>3</sup> /hm <sup>2</sup> )	5.00
	Mechanical Ventilation	Intermittent extract fans to wet rooms
<b>Heating</b>	Primary Heating System	Air source heat pump
	Controls	Central time and local temperature controls
	Heat Distribution	Radiators
	Water Heating	300l cylinder fed from heat pump, declared heat loss ≤2.86kWh/day
	Secondary Heating System	None
<b>Additional Features</b>	Lighting (lm/W)	<b>120</b>
	Renewables	None



## Energy Strategy

Project: 5231KJ – 2023.09 SBEM (Whitehall Road – Crossman Acquisitions)

Table 2 – Non-Residential Energy Efficiency

	Notional Building		Proposed Building	
	Energy Consumption	Fuel Type	Energy Consumption	Fuel Type
Heating (MWh/Year)	2.972	Grid Electricity	1.119	Grid Electricity
Hot Water (MWh/Year)	3.210	Grid Electricity	1.730	Grid Electricity
Cooling (MWh/Year)	0.000	Grid Electricity	0.000	Grid Electricity
Auxiliary (MWh/Year)	1.198	Grid Electricity	0.583	Grid Electricity
Lighting (MWh/Year)	0.736	Grid Electricity	0.958	Grid Electricity
<b>Total (MWh/Year)</b>	<b>8.116</b>	<b>Grid Electricity</b>	<b>4.390</b>	<b>Grid Electricity</b>
<b>Total per GIA (MWh/m<sup>2</sup>/Year)</b>	<b>0.044</b>	<b>Grid Electricity</b>	<b>0.024</b>	<b>Grid Electricity</b>

Table 3 – Energy Efficiency Measures

Showing how the proposed specification compares to the limiting and notional values for non-dwellings.

Element or System	Part L Values (2021)		
	Non-Dwellings Limiting	Non-Dwellings Notional	Proposed
Wall	0.26W/m <sup>2</sup> K	0.18W/m <sup>2</sup> K	0.16-0.18W/m <sup>2</sup> K
Roof	0.18W/m <sup>2</sup> K	0.15W/m <sup>2</sup> K	0.11-0.13W/m <sup>2</sup> K
Floor	0.18W/m <sup>2</sup> K	0.15W/m <sup>2</sup> K	0.13W/m <sup>2</sup> K
Windows	1.60W/m <sup>2</sup> K	1.40W/m <sup>2</sup> K	1.20W/m <sup>2</sup> K
Doors	1.60W/m <sup>2</sup> K	1.60W/m <sup>2</sup> K	1.60W/m <sup>2</sup> K
Rooflights	2.20W/m <sup>2</sup> K	2.10W/m <sup>2</sup> K	1.30W/m <sup>2</sup> K
Air Permeability	8m <sup>3</sup> /hm <sup>2</sup>	3m <sup>3</sup> /hm <sup>2</sup>	5m <sup>3</sup> /hm <sup>2</sup>

## Energy Strategy

Project: 5231KJ – 2023.09 SBEM (Whitehall Road – Crossman Acquisitions)

Table 5 – Feasibility Matrix of Appropriate Renewables

Showing the considerations in choosing a renewable technology for this site.

Technology	Requirements	Requirements Met?	Appropriate?
Photovoltaic panels	Roof facing east to west (through south)	Yes	Yes
	Little/no or modest overshadowing	Yes*	
	Flat roof or pitched roof not greater than 45°	Yes	
	Any size development	Yes	
Solar thermal	All requirements as for photovoltaic panels	Yes	Yes
	Hot water tank possible	Yes	
Air source heat pumps	Suitable external wall	Yes	Yes
	Aesthetic considerations	Yes	
	Noise impact	Yes	
	Any size development	Yes	
Ground source heat pumps	External space for horizontal trench or vertical borehole	No	No
	Medium to large sized development	No	
	Archaeology	Unknown	
	Best suited to underfloor heating	No	
Biomass	Space needed for plant, fuel storage and deliveries	No	No
	Medium to large sized development	No	
	Minimal impact on residents (air quality, deliveries)	No	
Combined heat and power	Space need for plant, access and servicing	No	No
	Large sized development (large heat demand)	No	
District heating	Available network	No	No
	Very large sized development (substantial heat demand)	No	

\*See the following aerial image demonstrating that the overshadowing risk is low for the likely location of any solar panels.

Please refer to Appendices A through G for more in-depth information on these technologies.

## Energy Strategy

Project: 5231KJ – 2023.09 SBEM (Whitehall Road – Crossman Acquisitions)

Fig. 1 – Aerial Image of the Site – Overshading Risk



*Note: As can be seen, there are no obstructions that are likely to create significant overshading to any potential solar panels.*

### Heat Hierarchy

Table 6 – Following the Heat Hierarchy

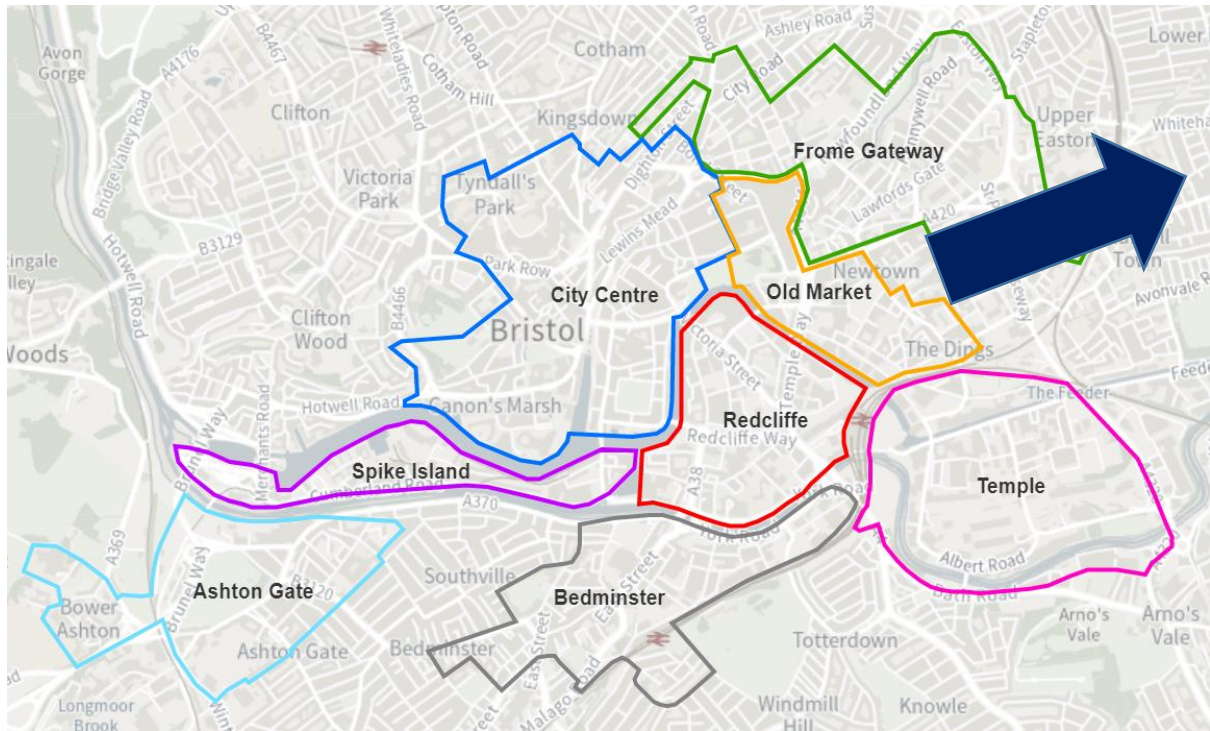
Showing how the heat hierarchy, as outlined in BCS14 can be applied to this site.

Stage	Feasible	Notes
1. Connection to existing CHP/CCHP distribution networks	No	No network available
2. Site-wide renewable CHP/CCHP	No	Heat demand not high enough
3. Site-wide gas-fired CHP/CCHP	No	Heat demand not high enough
4. Site-wide renewable community heating/cooling	No	Heat demand not high enough
5. Site-wide gas-fired community heating/cooling	No	Heat demand not high enough
6. Individual building renewable heating	Yes	ASHP is feasible

## Energy Strategy

**Project:** 5231KJ – 2023.09 SBEM (Whitehall Road – Crossman Acquisitions)

Fig. 2 – Bristol City Council Heat Networks Map



*Note: There are currently two city centre heat networks in operation at Redcliffe and Old Market, with a third under construction in Bedminster. The other networks shown are planned but not in development.*

*The blue arrow shows the approximate direction to 423 Whitehall Road, which is about 1 mile from the Frome Gateway Network.*

## Energy Strategy

**Project:** 5231KJ – 2023.09 SBEM (Whitehall Road – Crossman Acquisitions)

---

### Feasibility of Appropriate Renewables - Conclusion

Due to the location, size and type of development some renewable technologies are not appropriate for this site.

In the future, if a district heating system were to be introduced to the area, the proposed HMO could be connected to this network. This could be facilitated as a wet central heating system is proposed, but there may be additional technical challenges to a connection, such as locating the required connection equipment.

Solar thermal panels would not provide a sufficient carbon emissions reduction to be suitable.

An air source heat pump is feasible for this development and is proposed as the primary heating source. However, as this has been included in the baseline calculations to achieve initial TER compliance (as per both current Part L and BCS14 methodologies) it cannot then be used to demonstrate an additional carbon emissions reduction.

However, a roof-mounted PV panel array is feasible and could provide the required carbon emissions reduction, offsetting at least 20% of emissions as demonstrated in Table 10. An example of the type of PV panel that could be used is provided in Appendix A.

### Appropriate Solution(s)

<p><b>Photovoltaic Panels</b> <b>ASHP</b></p>
---

## Energy Strategy

**Project:** 5231KJ – 2023.09 SBEM (Whitehall Road – Crossman Acquisitions)

Table 7 – Proposed Renewables

Showing renewables added to the specification to reduce carbon emissions.

Category	Item	Value/Details
<b>Additional Features</b>	Renewables	1.20kWp of roof-mounted Solar PV panels

Table 8 – Renewables Specification (Detail)

Unit	Array	Number of Panels	Roof Area Required	Orientation	Inclination	Overshading
New HMO Extension	1.20kWp	4	8m <sup>2</sup>	South-east	30° (nominal)*	None or very little

\*The SAP calculation accepts 0°, 15°, 30°, 45°, 60°, 75° and 90°. The angle given is the nearest of these values to the true pitch of the mounted panels.

Table 9 – Installed Renewables Capacity

Item	Value/Details
Renewable Electricity – Enter the total installed capacity (kW)	1.20kWp PV array
Renewable Electricity – Enter the estimated annual yield (kW) from renewable measures generating electricity (where available apply recognised standard methodologies such as the Microgeneration Certification Scheme (MCS) methodology for PV)	1,058.51kW/year (no shading assumed – planning calculations so MCS calculation etc not yet available)
Renewable Heat – Enter the total installed capacity	8.50kW*
Renewable Heat – Enter the estimated annual yield (kWh) from renewable measures generating heat	Heat pump estimated to use 1,119.05kWh/year for heating and 1,729.93kWh/year for hot water*

\*Heat pump used as part of baseline compliance strategy so no carbon reduction is possible (heat pump included in TER calculations as per Part L2 2021 methodology).

## Energy Strategy

Project: 5231KJ – 2023.09 SBEM (Whitehall Road – Crossman Acquisitions)

Table 10 – Summary Table for Renewables

No District Heat Connection	Regulated Energy Demand (MWh/yr)	Regulated CO <sub>2</sub> Emissions (tonnes/yr)	CO <sub>2</sub> Saved (tonnes/yr)	CO <sub>2</sub> Reduction (%)
Baseline - Part L TER	8.12	1.15		
Proposed scheme after energy efficiency measures	4.39	0.63	0.52	45.31
Residual emissions Proposed scheme after energy efficiency measures and CHP (if using)	4.39	0.63	0.00	0.00
Proposed scheme after on-site renewables	3.33	0.49	0.14	21.80
Total CO <sub>2</sub> reduction beyond Part L TER			0.66	57.23

For further details please refer to the BRUKL Reports.

## Energy Strategy

**Project:** 5231KJ – 2023.09 SBEM (Whitehall Road – Crossman Acquisitions)

---

### Appendix A – Photovoltaic Panels

#### What are Photovoltaic Panels?

Photovoltaic Panels (PV) panels convert the energy in light received from the Sun into electricity. There are two types of system – grid connected systems are the most common and allow electricity to be drawn from the national grid during times when the panels are not generating enough electricity to provide all the power needs. This setup also allows any surplus electricity to be sold back to the grid. Conversely, standalone systems are not connected to the grid and so require supplementing with other power generating systems or batteries to ensure that the supply of electricity is not interrupted.



#### Space Requirements

PV Panels are composed of a series of small solar cells that are connected together. They come in a variety of shapes, sizes and outputs and ideally will be installed on an inclined south-facing roof to maximise the power generated. Larger arrays will result in more power being generated, up to the limits of available roof space. If space is limited, solar tiles can be installed as these can fit more capacity into the same area. However, these are more expensive than traditional panel installations.





## Energy Strategy

**Project:** 5231KJ – 2023.09 SBEM (Whitehall Road – Crossman Acquisitions)

---

### Installation Costs, Funding, Maintenance and Payback

The average cost for a solar panel installation for a small-scale building is approximately £5,000-£9,000, although this is highly dependent on the size of array being installed. Planning permission is not usually required unless the panels are to be installed on a listed building or the property is situated in a conservation area.

The photovoltaic array can be expected to last for up to 25 years, depending on the manufacturer.

On January 1<sup>st</sup> 2020, a new government incentive scheme was introduced, known as the Smart Export Guarantee (SEG). For those installing small scale renewable technologies, with a maximum capacity of 5MW, the SEG will pay for each unit of electricity fed into the National Grid. It is anticipated that payback for a PV system could be achieved in approximately 12 years.

### Advantages of Photovoltaic Panels

- Electricity bills reduced
- Source of renewable energy
- Reduced carbon footprint
- Low maintenance

### Disadvantages of Photovoltaic Panels

- Relatively high upfront cost
- Energy generation varies with the average annual amount of radiation received
- Power output highly weather dependent
- No electricity produced at night
- Requires a lot of roof space for an effective array.

# Energy Strategy

**Project:** 5231KJ – 2023.09 SBEM (Whitehall Road – Crossman Acquisitions)

## Solar Panel Example

### SUNPOWER | MAXEON

Fundamentally different, and better

Back Contact

White Backsheet  
Black Frame

Residential



## MAXEON 3

**POWER RANGE:** 390-400 W | **EFFICIENCY:** Up to 22.6%

Part of the record-setting SunPower Maxeon product line, the SunPower Maxeon 3 solar panel offers homeowners the highest efficiency available in the market today, maximising long-term energy production, as well as savings potential per available space. <sup>1</sup>

SunPower Maxeon panels are world-renowned for their energy production and savings advantages that combine unmatched efficiency and reliability with an industry-leading warranty and an estimated 40-year useful life.<sup>2,3,4</sup>

### SunPower Maxeon Solar Cell Technology

- Proven technology across 3.5 billion cells shipped
- Most efficient cell in commercial solar <sup>1</sup>
- Only solar cell with a solid-metal foundation, providing patented protection from breakage and corrosion



[sunpower.maxeon.com](http://sunpower.maxeon.com)

#### Maximum Lifetime Energy and Savings

The SunPower Maxeon 3 solar panel is designed to deliver 35% more energy in the same space over 25 years in real-world conditions such as partial shade and high temperatures. <sup>5,6,7</sup>

#### A Better Product. A Better Warranty.

The 25-year SunPower Complete Confidence Panel Warranty is backed by testing and field data from more than 30 million SunPower Maxeon panels deployed—and a demonstrated warranty return rate of .005%. <sup>8</sup>



• Year 1 Minimum Warranted Power Output	98.0%
• Maximum Annual Degradation	0.25%
• Year 25 Warranted Power Output	92.0%

#### Leadership in Sustainable Manufacturing

SunPower Maxeon panels—and the facilities in which they are produced—raise the bar for environmental and social responsibility. Included below are highlights of the certifications and recognition received by some of our products and manufacturing sites.



## Energy Strategy

Project: 5231KJ – 2023.09 SBEM (Whitehall Road – Crossman Acquisitions)

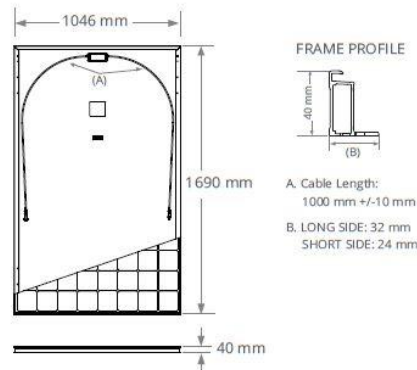
MAXEON 3 POWER: 390-400 W | EFFICIENCY: Up to 22.6%

	Electrical Data		
	SPR-MAX3-400	SPR-MAX3-395	SPR-MAX3-390
Nominal Power (P <sub>nom</sub> ) <sup>9</sup>	400 W	395 W	390 W
Power Tolerance	+5/0%	+5/0%	+5/0%
Panel Efficiency	22.6%	22.3%	22.1%
Rated Voltage (V <sub>mpp</sub> )	65.8 V	65.1 V	64.5 V
Rated Current (I <sub>mpp</sub> )	6.08 A	6.07 A	6.05 A
Open-Circuit Voltage (V <sub>oc</sub> ) (+/-3%)	75.6 V	75.4 V	75.3 V
Short-Circuit Current (I <sub>sc</sub> ) (+/-3%)	6.58 A	6.56 A	6.55 A
Max. System Voltage	1000 V IEC		
Maximum Series Fuse	20 A		
Power Temp Coef.	-0.27% / °C		
Voltage Temp Coef.	-0.236% mV / °C		
Current Temp Coef.	0.060% mA / °C		

Operating Condition And Mechanical Data	
Temperature	-40°C to +85°C
Impact Resistance	25 mm diameter hail at 23 m/s
Solar Cells	104 Monocrystalline Maxeon Gen III
Tempered Glass	High-transmission tempered anti-reflective
Junction Box	IP-68, Stäubli (MC4), 3 bypass diodes
Weight	19 kg
Max. Load <sup>11</sup>	Wind: 2400 Pa, 244 kg/m <sup>2</sup> front & back Snow: 5400 Pa, 550 kg/m <sup>2</sup> front
Frame	Class 1 black anodized (highest AAMA rating)

Tests And Certifications	
Standard Tests <sup>10</sup>	IEC 61215, IEC 61730
Quality Management Certs	ISO 9001:2015, ISO 14001:2015
Ammonia Test	IEC 62716
Desert Test	IEC 60068-2-68, MIL-STD-810G
Salt Spray Test	IEC 61701 (maximum severity)
PID Test	1000 V: IEC 62804, PVEL 600 hr duration
Available Listings	TUV

Sustainability Tests and Certifications	
IFLI Declare Label	First solar panel labeled for ingredient transparency and LBC-compliance. <sup>12</sup>
Cradle to Cradle Certified™ Bronze	First solar panel line certified for material health, water stewardship, material reutilization, renewable energy & carbon management, and social fairness. <sup>13</sup>
Green Building Certification Contribution	Panels can contribute additional points toward LEED and BREEAM certifications. <sup>14</sup>
EHS Compliance	RoHS, OHSAS 18001:2007, lead free, REACH SVHC-163



Please read the safety and installation guide.

1 Based on datasheet review of websites of top 20 manufacturers per IHS, as of Jan, 2020.  
2 Jordan, et. al. Robust PV Degradation Methodology and Application. PVSC 2018.  
3 Based on Oct. 2019 review of warranties on manufacturer websites for top 20 manufacturers per IHS 2018.  
4 "SunPower Module 40-Year Useful Life." SunPower whitepaper, 2013.  
5 SunPower 370 W, 22.7% efficient, compared to a Conventional Panel on same-sized arrays (310 W mono PERC, 19% efficient, approx. 1.64 m<sup>2</sup>)  
6 PV Evolution Labs "SunPower Shading Study," 2013. Compared to a conventional front contact panel.  
7 Based on temperature coefficients provided in manufacturer datasheets 2020.  
8 SunPower panels are less than 50 dppm, or 0.005%, on over 15 million panels shipped - Source: SunPower White Paper, 2019.  
9 Standard Test Conditions (1000 W/m<sup>2</sup> irradiance, AM 1.5, 25° C). NREL calibration Standard: SOMS current, LACS FF and Voltage.  
10 Class C fire rating per IEC 61730.  
11 Safety factor 1.5 included.  
12 SunPower Maxeon DC panels first received the International Living Future Institute Declare Label in 2016.  
13 SunPower Maxeon DC panels are Cradle to Cradle Certified™ Bronze - [www.c2ccertified.org/products/scorecard/e-series\\_x-series\\_solar\\_panels\\_sunpower\\_corporation](http://www.c2ccertified.org/products/scorecard/e-series_x-series_solar_panels_sunpower_corporation). Cradle to Cradle Certified™ Bronze. Cradle to Cradle Certified™ is a certification mark licensed by the Cradle to Cradle Products Innovation Institute.  
14 Maxeon panels can contribute to LEED Materials and Resources categories and BREEAM certification.

Designed in U.S.A. by SunPower Corporation  
Made in Philippines (Cells)  
Assembled in Mexico (Module)

Specifications included in this datasheet are subject to change without notice.

©2020 Maxeon Solar Technologies. All Rights Reserved.  
View warranty, patent and trademark information at [maxeon.com/legal](http://maxeon.com/legal).

[sunpower.maxeon.com](http://sunpower.maxeon.com)

**SUNPOWER**  
FROM MAXEON SOLAR TECHNOLOGIES

536423 REV B / A4\_EN  
Publication Date: July 2020

## Energy Strategy

**Project:** 5231KJ – 2023.09 SBEM (Whitehall Road – Crossman Acquisitions)

---

### Appendix B – Solar Thermal Panels

#### What is Solar Thermal Energy?

A solar thermal system uses energy from the Sun to heat water which is then stores in a hot water cylinder.



#### Space Requirements

For a small scale solar thermal setup, it is suggested that approximately five square meters of south facing space will be required, to ensure that as much solar energy as possible can be collected. A sloping roof is not required as the panels can be fitted to a frame mounted on a flat roof or even hung from a wall.

Before installing a solar thermal system, it is important to check if your current setup is suitable – solar thermal systems require a hot water cylinder to store the heated water and are therefore not compatible with combination boilers or direct acting water heaters. If the cylinder present prior to the installation of the solar thermal system is not a solar cylinder, it will be necessary to either replace the cylinder with one which has a solar heating coil fitted or to add an extra cylinder with a solar coil to ensure that the system works correctly.



## Energy Strategy

**Project:** 5231KJ – 2023.09 SBEM (Whitehall Road – Crossman Acquisitions)

---

### Installation Costs, Funding, Maintenance and Payback

The initial cost of installing a typical small scale solar thermal system is generally between £5,000 and £9,000. There are currently no financial schemes available for solar thermal panels.

Very little maintenance is usually required after the system is installed, although it is important to have the system inspected every three to seven years by a qualified solar panel expert.

The payback costs for solar panels depend greatly on the installation costs. For example, a system costing between £5,000 and £7,000 to install has a typical payback time between 13 and 17 years.

### Planning Requirements

Planning permission is generally not required for the installation of a solar thermal system. However, restrictions may apply if the building is listed or sited within a conservation area – it is advisable to check with the local council prior to installation.

### Advantages

- Clean and efficient water heating
- Easy to maintain
- Quiet
- Low carbon footprint

### Disadvantages

- High initial cost
- Effectiveness depends on the number of hours of sunshine your area gets during the day
- The system is limited to only heating water – no electricity is produced
- Only useful if there is meaningful hot water demand

## Energy Strategy

**Project:** 5231KJ – 2023.09 SBEM (Whitehall Road – Crossman Acquisitions)

---

### Appendix C – Air Source Heat Pumps

#### What are Air Source Heat Pumps?

Air source heat pumps (ASHPs) extract thermal energy from outside air (using the principles of vapor compression refrigeration), which can then be used to heat the building as well as to provide hot water. Heat pumps can also be run in reverse, cooling the building and transferring the excess heat to the outside.

There are two types of air source heat pump systems:

1. **Air to air** systems transfer the warmed air throughout the building using fans
2. **Air to water** systems transfer heat to water, which is then distributed via plumbing similar to that used in a conventional heating system with a boiler

Air source heat pumps operate at lower temperatures than traditional gas boilers. This means that these systems can be utilised more effectively with an underfloor heating setup compared to using radiators, as with underfloor heating the warmth is distributed more evenly and thus more efficiently. It is vital that the building fabric be well insulated if the benefits of an air source heat pump are to be fully utilised.



## Energy Strategy

**Project:** 5231KJ – 2023.09 SBEM (Whitehall Road – Crossman Acquisitions)

---

### Space Requirements

An area on the exterior of the building, such as on a wall or roof, will be required for the external unit. This ideally should be in a warmer location which not only has enough space for the unit but is also clear of obstructions to allow air to flow freely.

Additionally, space will be required for the internal unit. Typically, these are no larger than a standard hot water cylinder or boiler unit, depending on the exact setup used. However, with many setups a separate hot water cylinder, along with the space for this, is also required.

### Installation Costs, Funding, Maintenance and Payback

The cost of purchasing and installing an air source heat pump system is generally between £3,000 and £11,000, depending on the size and complexity of the setup. Additional costs may be incurred if your property is particularly large. However, it may be possible to obtain payments from the Government's Renewable Heat Incentive (RHI), which will offset some of the costs incurred with installing the heat pump.

Air source heat pumps can be expected to last for up to 20 years as long as they are inspected every three to five years by a qualified technician. A typical payback period for ASHPs is around 12 years, once RHI is taken into account.

### Planning

It is advisable to consult your local planning authority prior to purchasing the heat pump to establish whether there are any restrictions as to the positioning of the external unit.

### Advantages

- Lower fuel bills
- Can provide heating in winter and cooling in the summer as well as hot water year-round
- Low maintenance
- Low carbon footprint

### Disadvantages

- Works more efficiently with underfloor heating, or larger radiators
- The outdoor unit produces noise so careful siting is required
- Less efficient in winter due to the need to extract heat from colder air, resulting in lower Coefficient of Performance (COP) values.

## Energy Strategy

Project: 5231KJ – 2023.09 SBEM (Whitehall Road – Crossman Acquisitions)

### Air Source Heat Pump Example

Heating Product Information



## PUZ-WM85VAA(-BS)

Ecodan R32

Monobloc Air Source Heat Pump



#### Key Features:

- A+++ high efficiency system
- Ultra quiet noise levels
- Maintains full heating capacity at low temperatures
- Zero carbon solution
- MELCloud enabled

#### Key Benefits:

- Ultra low running cost
- Flexible product placement
- Confident and quick product selection
- Help to tackle the climate crisis
- Remote control, monitoring, maintenance and technical support





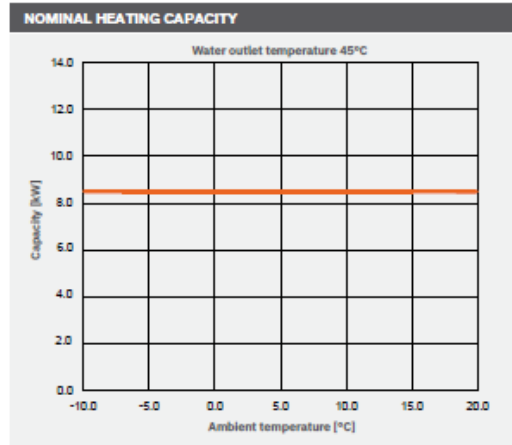
# Energy Strategy

Project: 5231KJ – 2023.09 SBEM (Whitehall Road – Crossman Acquisitions)

## Heating Product Information

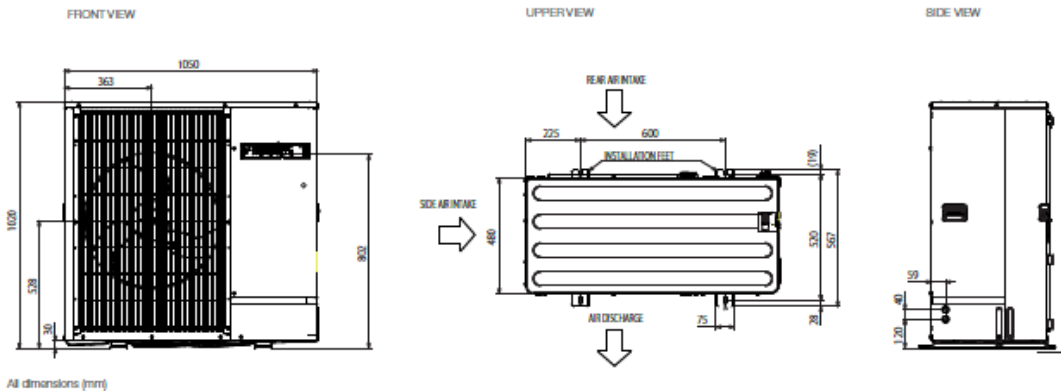
**PUZ-WM85VAA(-BS)**  
Ecodan R32  
Monobloc Air Source Heat Pump

OUTDOOR UNIT	PUZ-WM85VAA(-BS)
HEAT PUMP SPACE HEATER - 55°C	EHP Rating: A++ $\eta_p$ : 120% SCOP (MCS): 3.48
HEAT PUMP SPACE HEATER - 35°C	EHP Rating: A+++ $\eta_p$ : 192% SCOP (MCS): 4.84
HEAT PUMP COMBINATION HEATER - Large Profile <sup>1)</sup>	EHP Rating: A+ $\eta_{hp}$ : 145% Capacity (kW): 8.5 Power Input (kW): 3.27 COP: 2.60
OPERATING AMBIENT TEMPERATURE (°C DB)	-20 ~ +35
SOUND DATA <sup>2)</sup>	Pressure Level at 1m (dBA): 45 Power Level (dBA) <sup>3)</sup> : 5.8 Pipework Size (mm): 28 Flow Rate (l/min): 24 Water Pressure Drop (kPa): 15.0
WATER DATA	
DIMENSIONS (mm)	Width: 1050 Depth: 480 Height: 1020
WEIGHT (kg)	98
ELECTRICAL DATA	Electrical Supply: 220-240V, 50Hz Phase: Single Nominal Running Current (MAX) (A) <sup>4)</sup> : 9.1 (22) Fuse Rating - MCB Sizes (A) <sup>5)</sup> : 25
REFRIGERANT CHARGE (kg) / CO <sub>2</sub> EQUIVALENT (t)	R32 (GWP 675) 2.2 / 1.49



Notes:  
<sup>1)</sup> Combination with E\*P120K Cylinder  
<sup>2)</sup> Under normal heating conditions at outdoor temp: -7°CDB / -8°CWB, outlet water temp 35°C, inlet water temp 30°C.  
<sup>3)</sup> Under normal heating conditions at outdoor temp: 7°CDB / 6°CWB, outlet water temp 55°C, inlet water temp 47°C as used to BS EN14511.  
<sup>4)</sup> Sound power level related to BS EN10102.  
<sup>5)</sup> Under normal heating conditions at outdoor temp: 7°C, outlet water temp: 35°C.  
<sup>6)</sup> MCB Sizes BS EN60898-2 & BS EN60947-2.  
 $\eta_p$  is the seasonal space heating energy efficiency (SSHEE)  $\eta_{hp}$  is the water heating energy efficiency

### PUZ-WM85VAA(-BS) DIMENSIONS



**MITSUBISHI ELECTRIC**  
Changes for the Better  
 Telephone: 01707 282880  
 email: heating@meuk.mee.com  
 heating.mitsubishielectric.co.uk

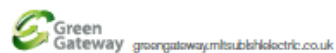
@meuk\_uk @green\_gateway |
 Mitsubishi Electric Living Environmental Systems UK |
 Mitsubishi Electric Cooling and Heating UK |
 mitsubishielectricuk\_ies |
 Mitsubishi Electric Living Environmental Systems UK |
 thehub.mitsubishielectric.co.uk

UNITED KINGDOM Mitsubishi Electric Europe Living Environment Systems Division, Travellers Lane, Hatfield, Hertfordshire, AL10 8XJ, England. Telephone: 01707 282880 Fax: 01707 278881  
 IRELAND Mitsubishi Electric Europe, Westgate Business Park, Ballymount, Dublin 24, Ireland. Telephone: (01) 419 8800 Fax: (01) 419 8890 International code: (003531)

Country of origin: United Kingdom - Japan - Thailand - Malaysia. ©Mitsubishi Electric Europe 2020. Mitsubishi and Mitsubishi Electric are trademarks of Mitsubishi Electric Europe B.V. The company reserves the right to make any variation in technical specification to the equipment described, or to withdraw or replace products without prior notification or public announcements. Mitsubishi Electric is constantly developing and improving its products. All descriptions, illustrations, drawings and specifications in this publication present only general particulars and shall not form part of any contract. All goods are supplied subject to the Company's General Conditions of Sale, a copy of which is available on request. Third-party product and brand names may be trademarks or registered trademarks of their respective owners.

Note: Refer to "Installation Manual" and "Instruction Book" for further "Technical Information". The fuse rating is for guidance only and please refer to the relevant datasheet for detailed specification. It is the responsibility of a qualified electrical engineer to select the correct cable size and fuse rating based on current regulation and site specific conditions. Mitsubishi Electric's air conditioning equipment and heat pump systems contain a fluorinated greenhouse gas, R410A (GWP:2088), R32 (GWP:675), R407C (GWP:1774), R134a (GWP:1430), R513A (GWP:831), R454B (GWP:468), R1234ze (GWP:7) or R1234yf (GWP:4). These GWP values are based on Regulation (EU) No 517/2014 from IPCC 4th edition. In case of Regulation (EU) No.856/2011 from IPCC 3rd edition, these are as follows: R410A (GWP:1975), R32 (GWP:650), R407C (GWP:1650) or R134a (GWP:1300).

Effective as of August 2020



## Energy Strategy

Project: 5231KJ – 2023.09 SBEM (Whitehall Road – Crossman Acquisitions)

---

### Appendix D – Ground Source Heat Pumps

#### What are Ground Source Heat Pumps?

Ground source heat pumps (GSHPs) use pipes, buried in available land close to the building, to extract heat from the ground. Water and antifreeze are circulated around the pipes absorbing heat, which is then transferred through a heat exchanger in the heat pump into the building. From this point, the heat can be used to provide space or hot water heating, or the system can be run in reverse to provide cooling.

Ground source heat pumps operate at lower temperatures than traditional gas boilers. This means that these systems can be utilised more efficiently with an underfloor heating setup than with radiators. It is particularly vital that the building be well insulated to fully take advantage of the benefits of a ground source heat pump.



#### Space Requirements

There are two types of ground source heat pump systems:

1. **Horizontal** systems, which require an area of approximately 700m<sup>2</sup>
2. **Vertical** systems, which have a borehole approximately a quarter of a metre across and up to 100m deep.

Larger sites will require either a larger area or more boreholes. Whichever system is chosen, suitable access must be available for the machinery required to install the pipework, especially in the case of the drill rig required for the vertical systems.

Space must also be available for the internal unit. These are typically larger than a standard gas boiler, approximately the size of a domestic hot water cylinder.



## Energy Strategy

**Project:** 5231KJ – 2023.09 SBEM (Whitehall Road – Crossman Acquisitions)

---

### Installation Costs, Funding, Maintenance and Payback

Installing ground source heat pumps can cost between £10,000 and £18,000. The horizontal system is often cheaper as the expensive drill rig required to drill the borehole is unnecessary.

It may be possible to obtain payments from the Government's Renewable Heat Incentive (RHI), which will help to offset some of the costs involved with installing the heat pump. Additionally, the heat pump, if inspected regularly by a qualified servicer, can be expected to last for up to twenty years.

With low running costs and possible income from the RHI, the payback period can typically be between 8 and 12 years.

### Planning Requirements

Ground source heat pumps are generally permitted, but some restrictions apply, such as with listed buildings. Consulting your local authority prior to installation is recommended.

### Advantages

- Lower fuel bills, especially if used to replace direct electric heating
- Can provide both space and hot water heating
- Can provide heating in winter and cooling in summer as well as hot water year-round
- Lower carbon footprint
- Low maintenance
- More efficient in winter than air source heat pumps due to ground temperatures remaining more constant throughout the year

### Disadvantages

- More expensive to install than air source heat pumps
- Suitable land must be available for the pipework or boreholes
- The building must be very well insulated
- Works most efficiently with underfloor heating or warm air distribution

## Energy Strategy

**Project:** 5231KJ – 2023.09 SBEM (Whitehall Road – Crossman Acquisitions)

---

### Appendix E – Biomass

#### What is Biomass?

Biomass is any fuel obtained from natural or organic material, such as manure, forest debris or agricultural or horticultural waste. The most common biomass energy source is wood in the form of pellets, wood chips or logs. Biomass boilers can be used as a replacement for a fossil fuel-based heat source, and are best suited to medium to large scale sites.



#### Space Requirements

Typically, biomass boilers are contained in a single plant room serving the whole site. This room needs to be big enough for the boiler or boilers themselves, along with water tanks and space for fuel storage.

#### Installation Costs, Funding, Maintenance and Payback

The cost of a biomass boiler depends on a number of factors, including the type of boiler used, the fuel type and storage size. For example, the cost, including installation, of an automatically-fed pellet boiler can be as much as £20,000. It is important to note that biomass boilers are also eligible for the Government Renewable Heat Incentive (RHI) scheme, which provides payments to those using renewable heating systems. Therefore, despite the high initial cost, biomass boilers can have relatively short payback times of around 5-7 years.

Biomass boilers should be serviced every 12 months to ensure continued efficiency and to prevent any breakdowns.



## Energy Strategy

**Project:** 5231KJ – 2023.09 SBEM (Whitehall Road – Crossman Acquisitions)

---

### Planning

There may be restrictions on the installation of biomass systems, due to concerns over local pollution and disruption to residents caused by deliveries.

### Advantages

- Sustainable energy source
- Reduces dependence on fossil fuels
- Carbon-neutral – the carbon produced is absorbed by plants which can then be used as future biomass fuel
- Reduces waste sent to landfill
- Abundant availability of fuel

### Disadvantages

- The burning of biomass fuels produces various gases that can contribute to local air pollution
- Space is required on-site for a plant room and fuel storage, as well as a designated fuel delivery area
- Constructing and operating biomass energy plants are often more expensive than more traditional power plants

## Energy Strategy

**Project:** 5231KJ – 2023.09 SBEM (Whitehall Road – Crossman Acquisitions)

---

### Appendix F – Combined Heat and Power

#### What is Combined Heat and Power?

Combined Heat and Power (CHP), sometimes referred to as cogeneration, is a setup in which heat and power are generated simultaneously.

Energy which is lost at various steps in producing electricity in a conventional power plant can be captured and used to provide warmth. For example, water which has condensed from the steam used to turn the generating turbine is typically cooled in large cooling towers, with all the energy lost to the air. In a CHP plant, this 'waste' heat is instead used to produce hot water, hot air or steam, which can then be distributed to heat local buildings.



#### Space Requirements

Significant space is required for the power plant itself, as well as the additional space required for the recovery of the otherwise wasted heat. Additionally, to use this energy effectively, a large pipe network is needed to distribute the heat around the local area.

## Energy Strategy

**Project:** 5231KJ – 2023.09 SBEM (Whitehall Road – Crossman Acquisitions)

---

### Installation Costs, Funding, Maintenance and Payback

The costs involved with setting up a CHP system, especially if the power plant is being constructed along with it rather than converted, are relatively high. As a result of this, these schemes tend to be large-scale long-term projects.

The network must be kept well maintained to avoid loss of service and to ensure continued operation. However, a large-scale network can heat a wide area more efficiently than with individual building heating systems, providing good long-term return on investments.

### Advantages

- The CHP process can be applied to power plants that use either renewable or fossil fuels as well as those which use a combination of the two
- Emissions are generally lower than other electricity and heat producing systems
- A variety of energy consumers can benefit from the installation of a CHP plant, including hospitals, schools and industrial sites

### Disadvantages

- CHP plants need to be local to their users to ensure as little energy is lost in the transmission as possible.
- The technology needed is expensive and more complex. Maintenance costs can also be greater
- Considerable amount of space is required for a full-size CHP setup, making it suitable only for larger sites

## Energy Strategy

**Project:** 5231KJ – 2023.09 SBEM (Whitehall Road – Crossman Acquisitions)

---

### Appendix G – District Heating

#### What is District Heating?

Instead of relying on one boiler for each unit on site, district heating utilises hot water or steam from a single communal heat source and distributes that energy to a variety of consumers through a network of insulated pipes. This network can be as large as desired, allowing entire communities to benefit, as well as reducing the need for additional energy to be produced specifically for heating buildings in the local area.

In the individual property or building, a heat interface unit (HIU) gives the consumer control over the hot water they use in a similar manner to that provided by a traditional boiler.



#### Space Requirements

An energy centre or large plant room would be required for this type of system. Depending on the scale of the heat network, pipework may need to be laid underground to distribute the hot water across the site or to the local area.

#### Installation Costs, Funding, Maintenance and Payback

The initial cost of setting up district heating, including the plant and infrastructure needed to deliver the heat, is relatively high and so these large-scale schemes tend to be a long-term investment.

Regular maintenance is essential to ensure continued efficiency and to prevent any breakdowns.





## Energy Strategy

**Project:** 5231KJ – 2023.09 SBEM (Whitehall Road – Crossman Acquisitions)

---

### Advantages

- More energy efficient as energy which is otherwise wasted can be used
- Lower carbon emissions
- Has the potential to reduce heating costs

### Disadvantages

- If the main fuel source experiences problems, whole areas could potentially be without heating or hot water
- Can in some cases be more expensive than traditional heating
- A large network is required to gain full benefit – it is only suitable for use on very large sites or where there is a network already present