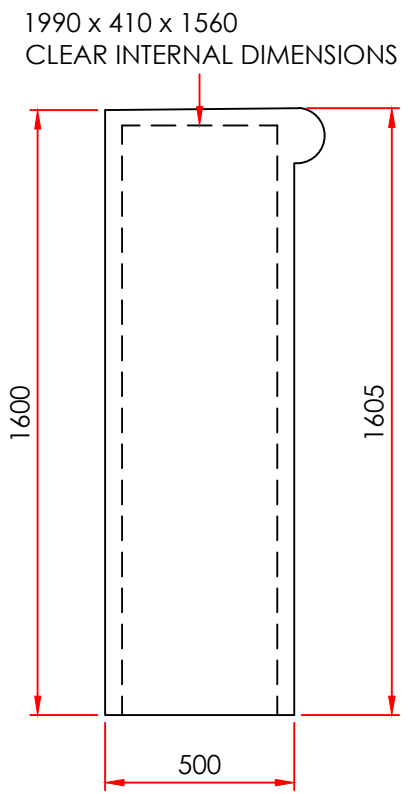
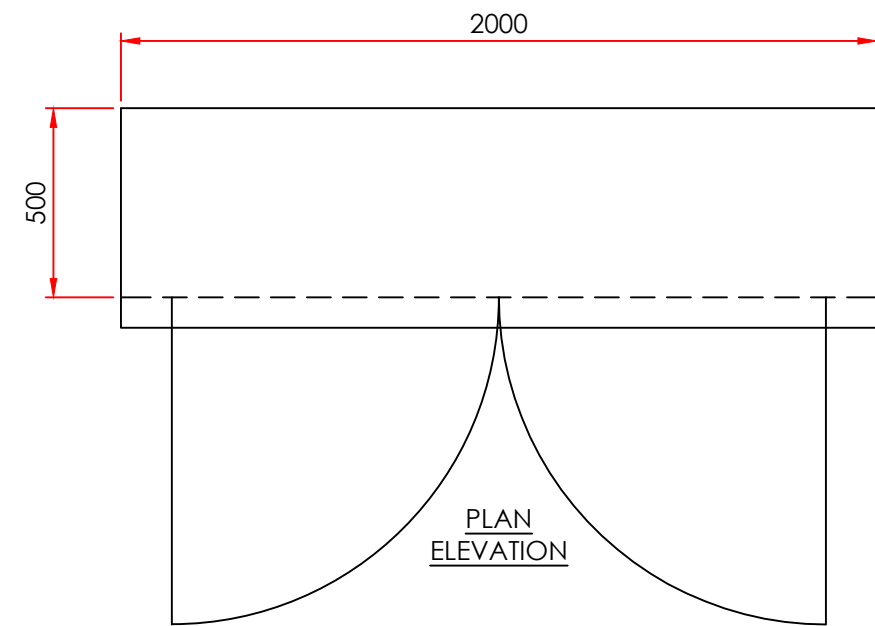


FRONT ELEVATION



SIDE ELEVATION



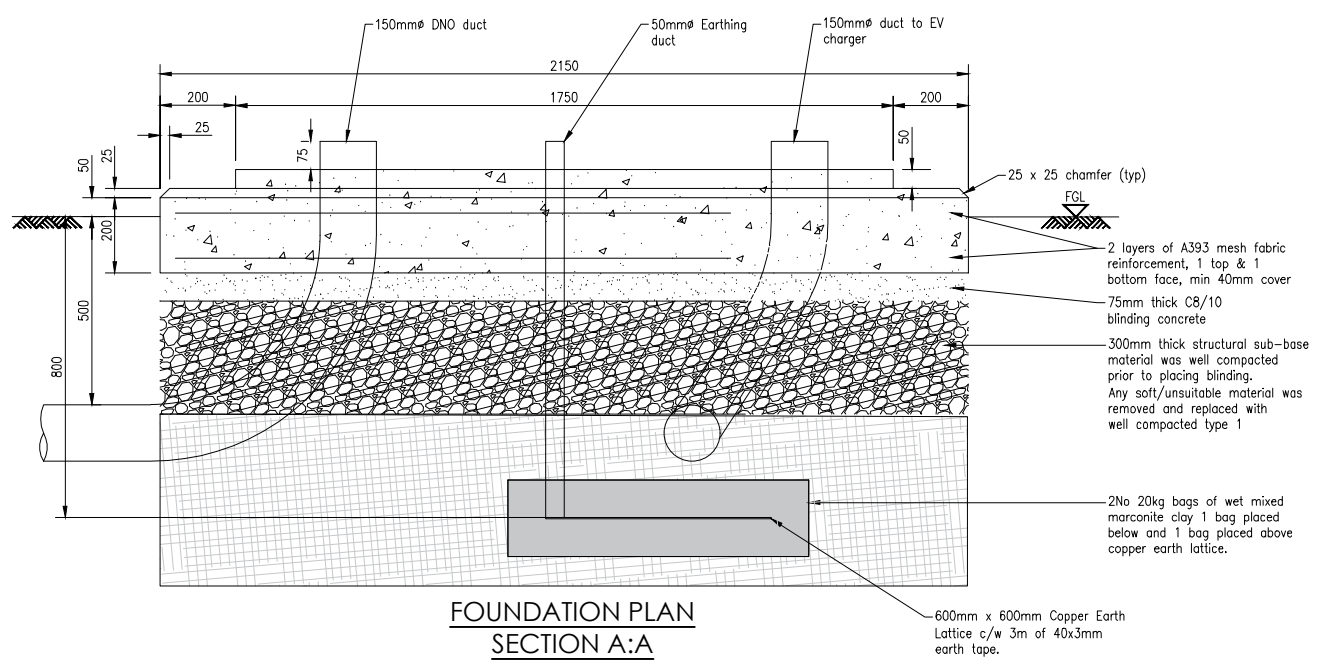
PLAN ELEVATION

Notes:

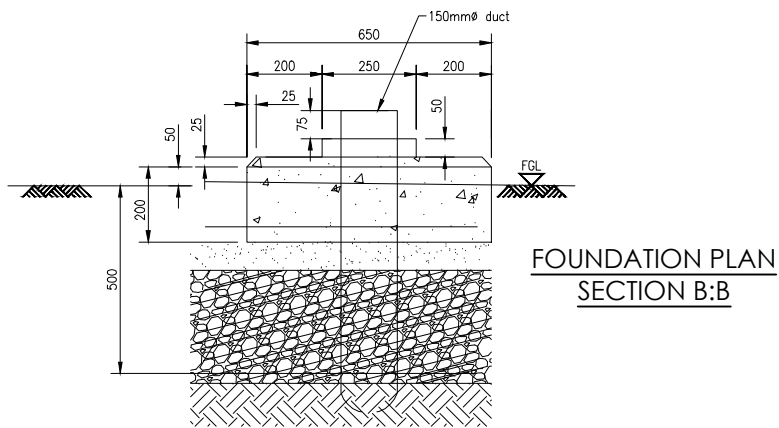
1. The Feeder Pillar does not require planning consent and has been shown for informative purposes only
2. This Feeder Pillar is for use 60kVA+
3. External Case - GRP
4. Colour - Black
5. Security - Standard Triangle Lock
6. Earthing - TT Earth Mat for Alpitronic - See TFL-0500-01 for more info
7. Protection - X Last Capital. Bollard quantity deployed will depend on deployment position of the site - See site layout drawing
8. Bollard type see drawing - TFL-0000-08-01

Foundation:

1. All cable entries shall be sealed with duct sealant
2. Cable entry layout may be altered to suit cabling arrangement
3. All duct to follow specification guidance from DNO and cable calculations
4. DNO Ducting Located on Left hand side of Feeder Pillar
5. Rapid Charge point Ducting located on Right hand side of Feeder Pillar



FOUNDATION PLAN SECTION A:A



FOUNDATION PLAN SECTION B:B

REV	DATE	BY	DESCRIPTION	CHK	APD
D	10/10/23	JH	Notes amended		
C	06/09/23	dds	Issued For Approval		
B	21/08/23	dds	Issued For Approval		
A	09/08/23	dds	Issued For Approval		

ZEST

Zest Eco Ltd, Bond House, The Bourse,
Boar Lane, Leeds, LS1 5EN
web—Zest.uk.com email—operations@zest.uk.com

CLIENT
TRANSPORT FOR LONDON

DESIGN
ZEST

SCALE 1:20	DATE AUG'23	DRAWN dds	CHECKED	APPROVED	SHT A3
---------------	----------------	--------------	---------	----------	-----------

DRAWING No.
TFL-0000-05-01

PROJECT
TFL ON STREET RAPID – TRANCHE 1

TITLE
FEEDER PILLAR DIMENSION SPECS
UP TO 221kVA
105-109 Talgarth Road
FOR INFORMATION ONLY