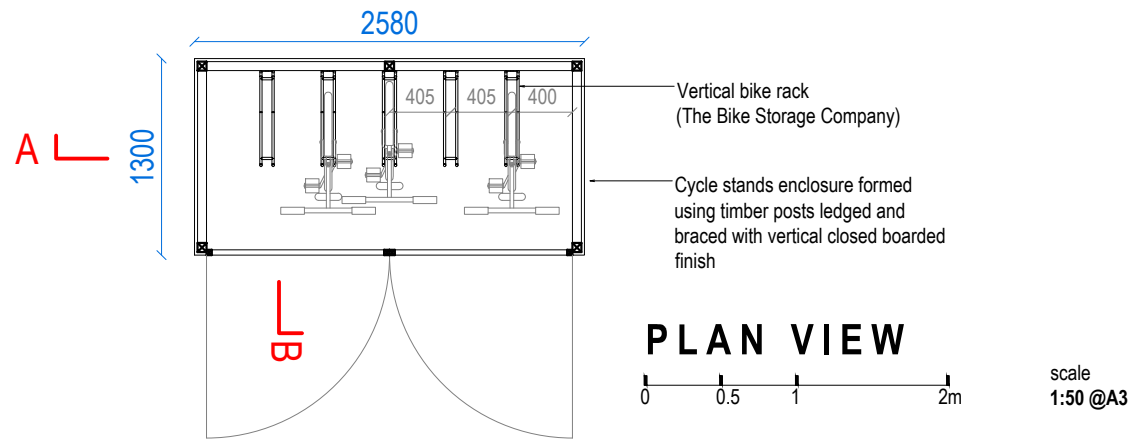
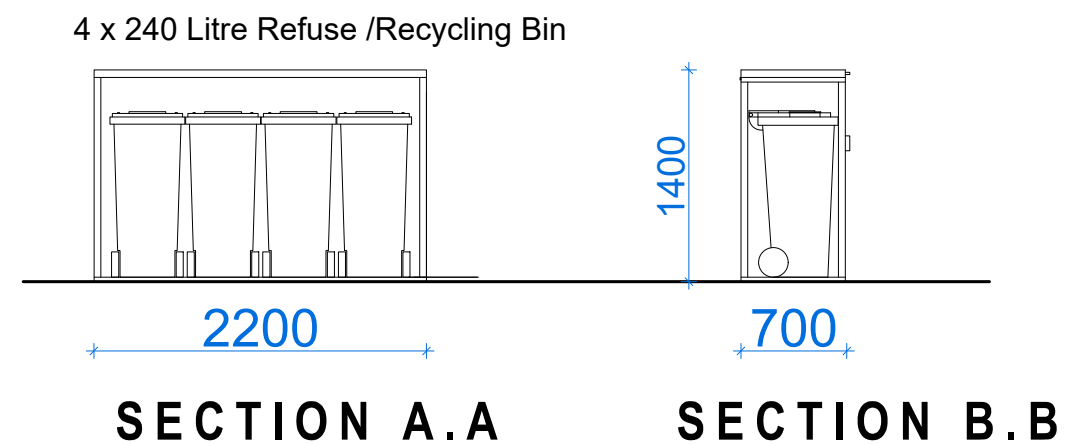
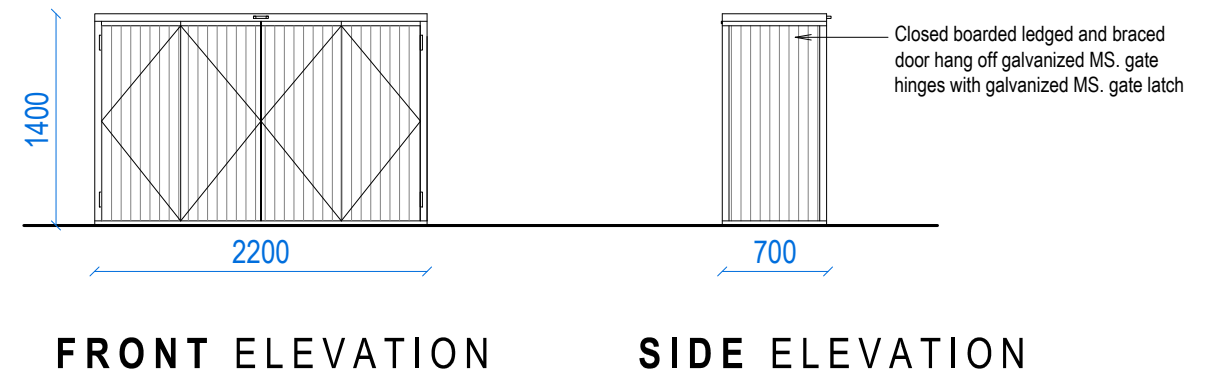
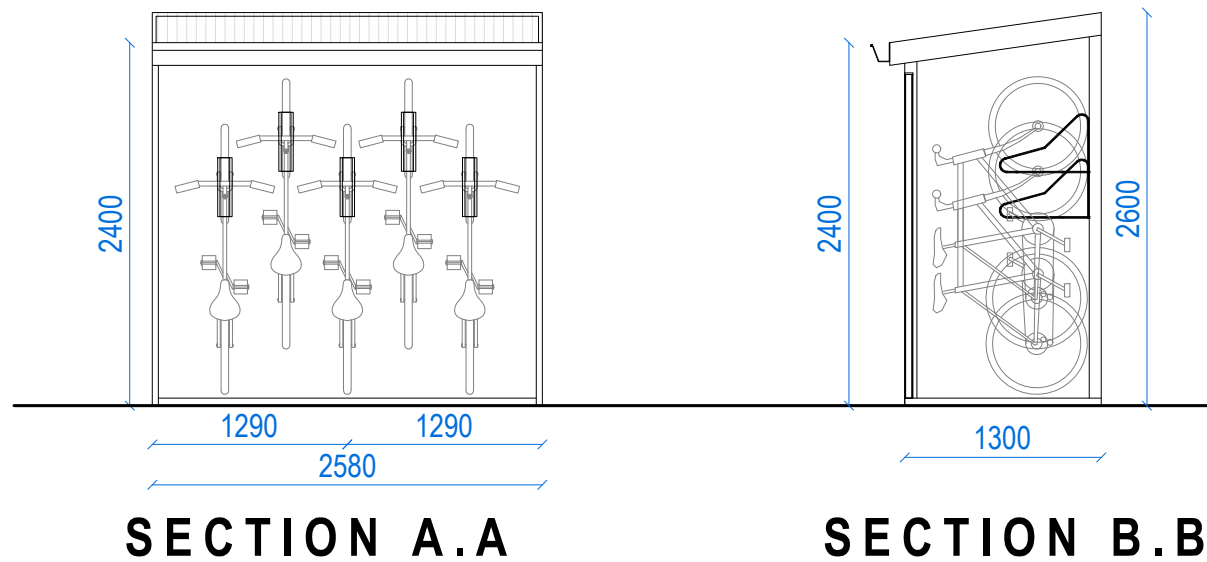
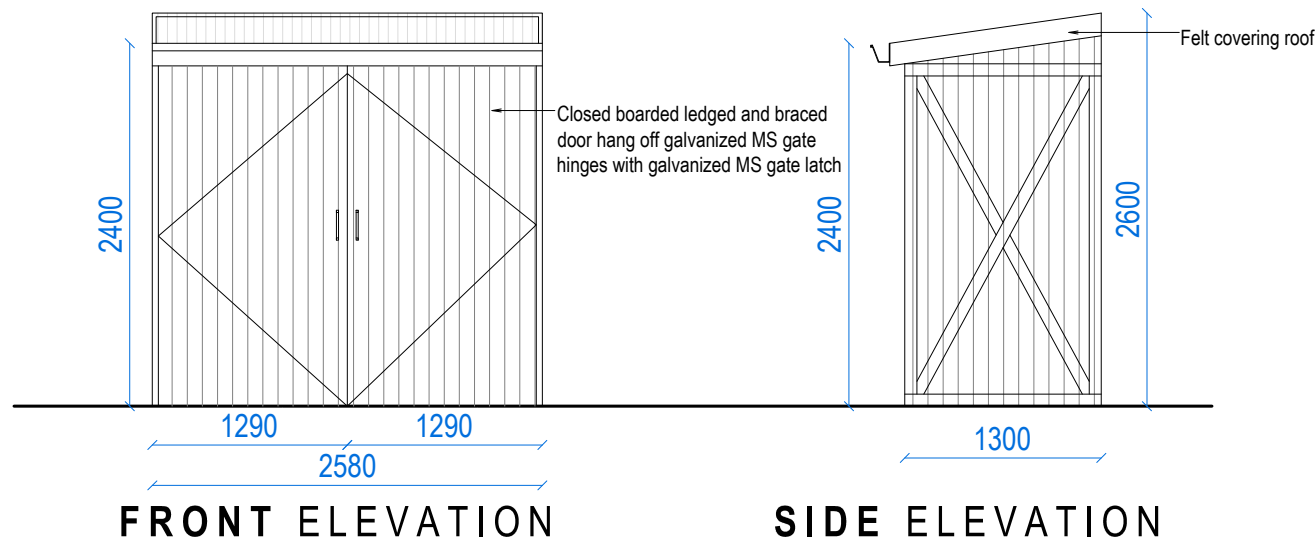
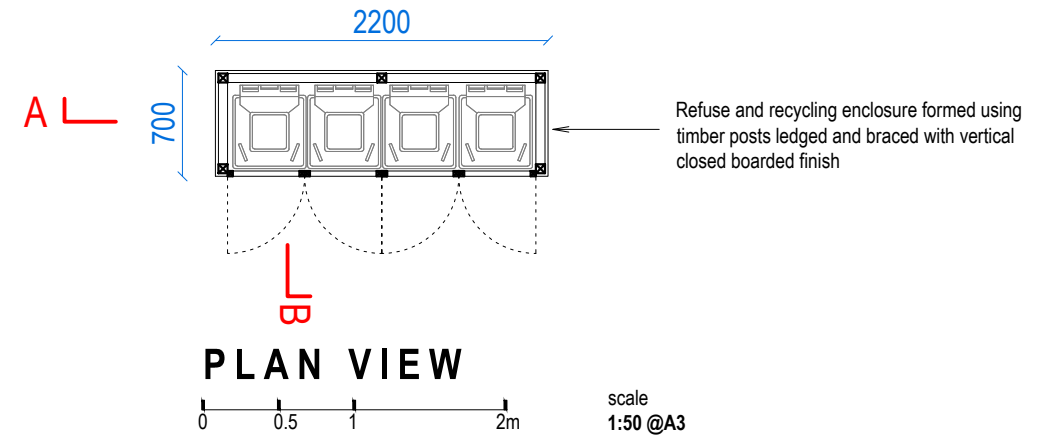


TIMBER CYCLE ENCLOSURE STORAGE DETAIL



TIMBER REFUSE AND RECYCLING ENCLOSURE STORAGE DETAIL



Address - Unit 4, Grosvenor Way, London E5 9ND
 Phone - 020 3781 8008
 E-mail - office@redwoodsprojects.co.uk
 Web - www.redwoodsprojects.co.uk

Any errors on Dimensions to be reported to the Architect prior to commencement of Works.
 Dimensions and areas are based on survey information.
 This drawing is copyright © Redwoods Projects.
 All dimensions to be checked on site Prior work.

REFERENCE: 3 COURTLAND ROAD, IFFLEY, OXFORD OX4 4HZ, UK

TITLE: PROPOSED DRAWINGS DETAILS

PROJECT No: 2052 DATE: 15-09-2023

SHEET No: **P 07**

scale 1:100 @A3

NOTES:

DRAWN BY: MCDC EDITED BY: