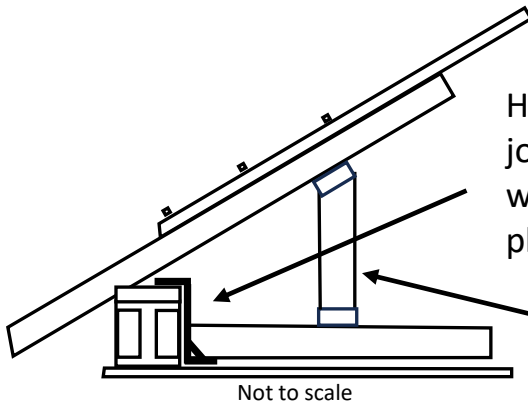
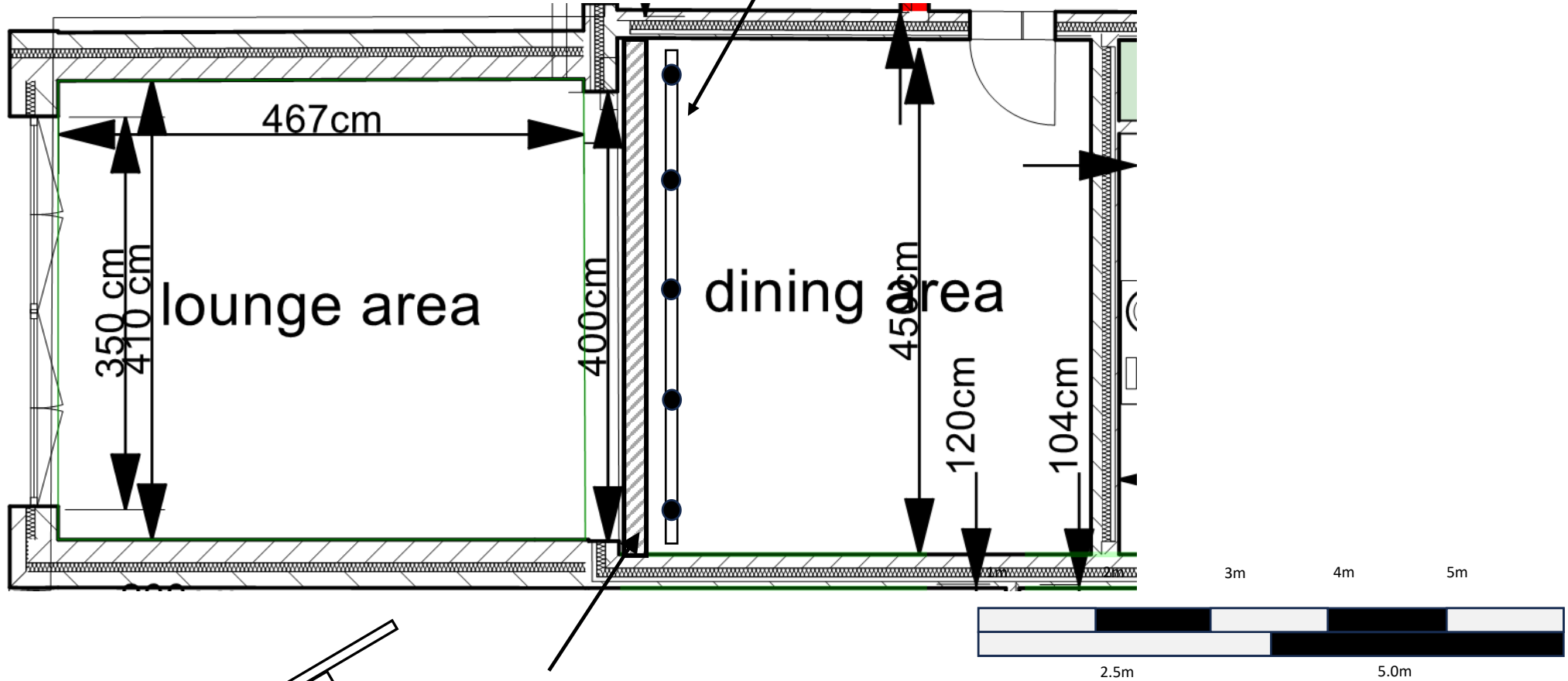


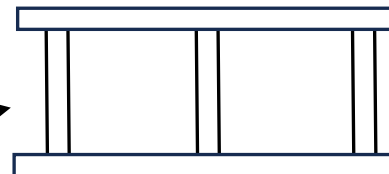
Temporary adjustable props placed to support the loft floor, temporary props 900mm centres (approx 600mm from face of wall). 45x220 C24 timber bearer between props & underside of ceiling, rafters to be temporarily supported on a timber dwarf wall.

**PROPOSED GROUND FLOOR LAYOUT SHOWING OPENING AND SUPPORTS DURING CONSTRUCTION**



Hidden beam with wooden top-plate to be fitted into roof void, joists secured to beam with 150mm joist hangers and rafters cut with birds' mouths  $< 1/3$  of timber thickness resting on the top plate & fixed through.

Rafters to be temporarily supported on a timber dwarf wall.



Paper Size A4