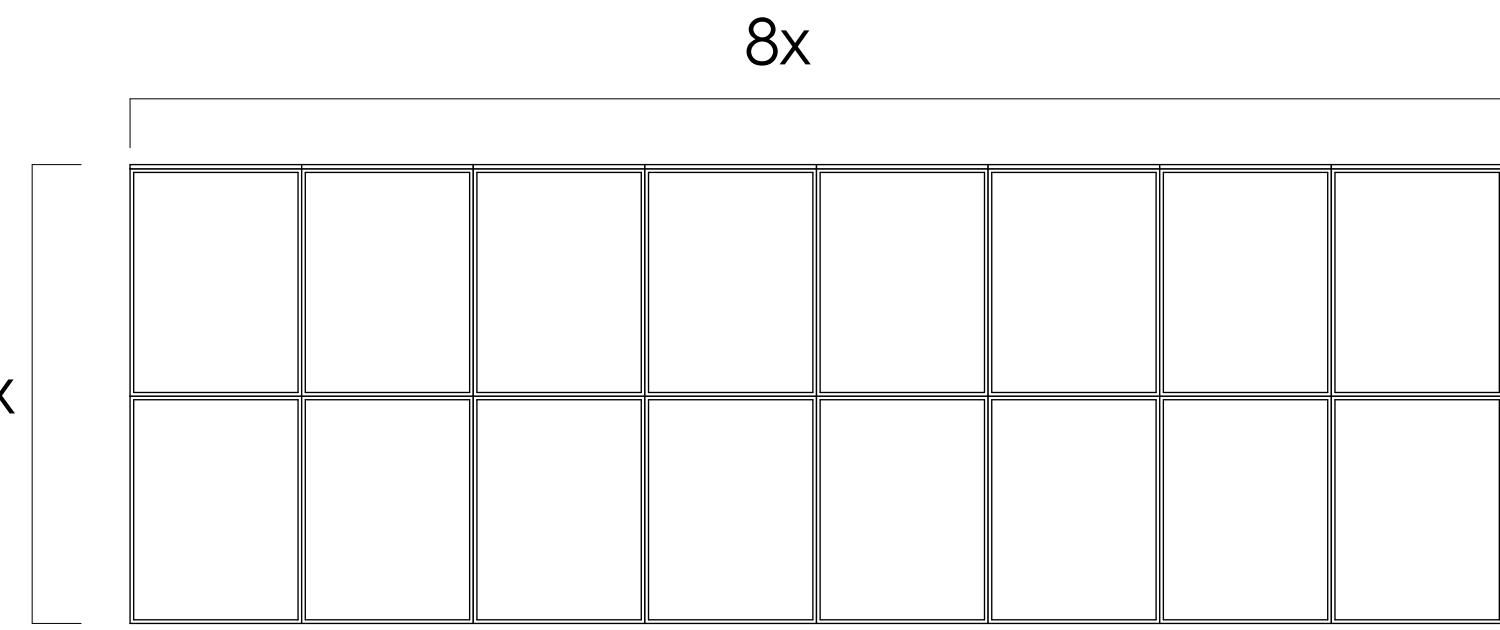
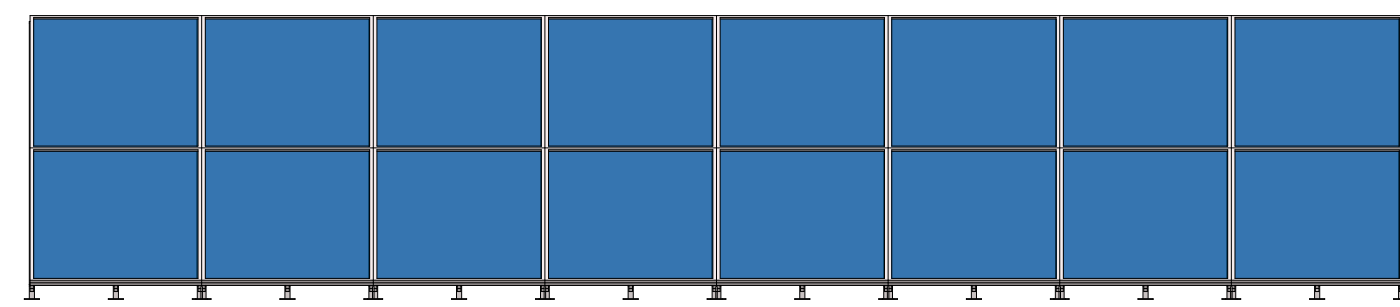


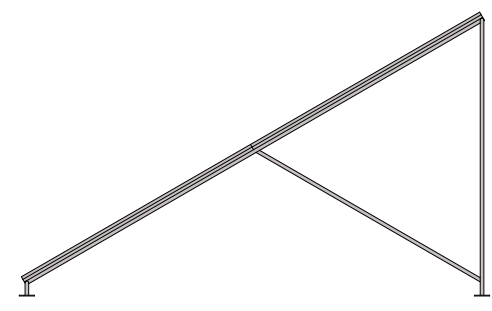
North Elevation | Scale 1:50



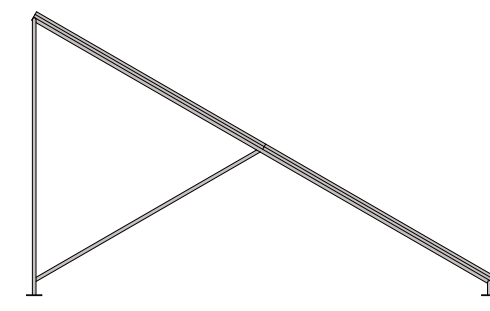
Ground Floor | Scale 1:50



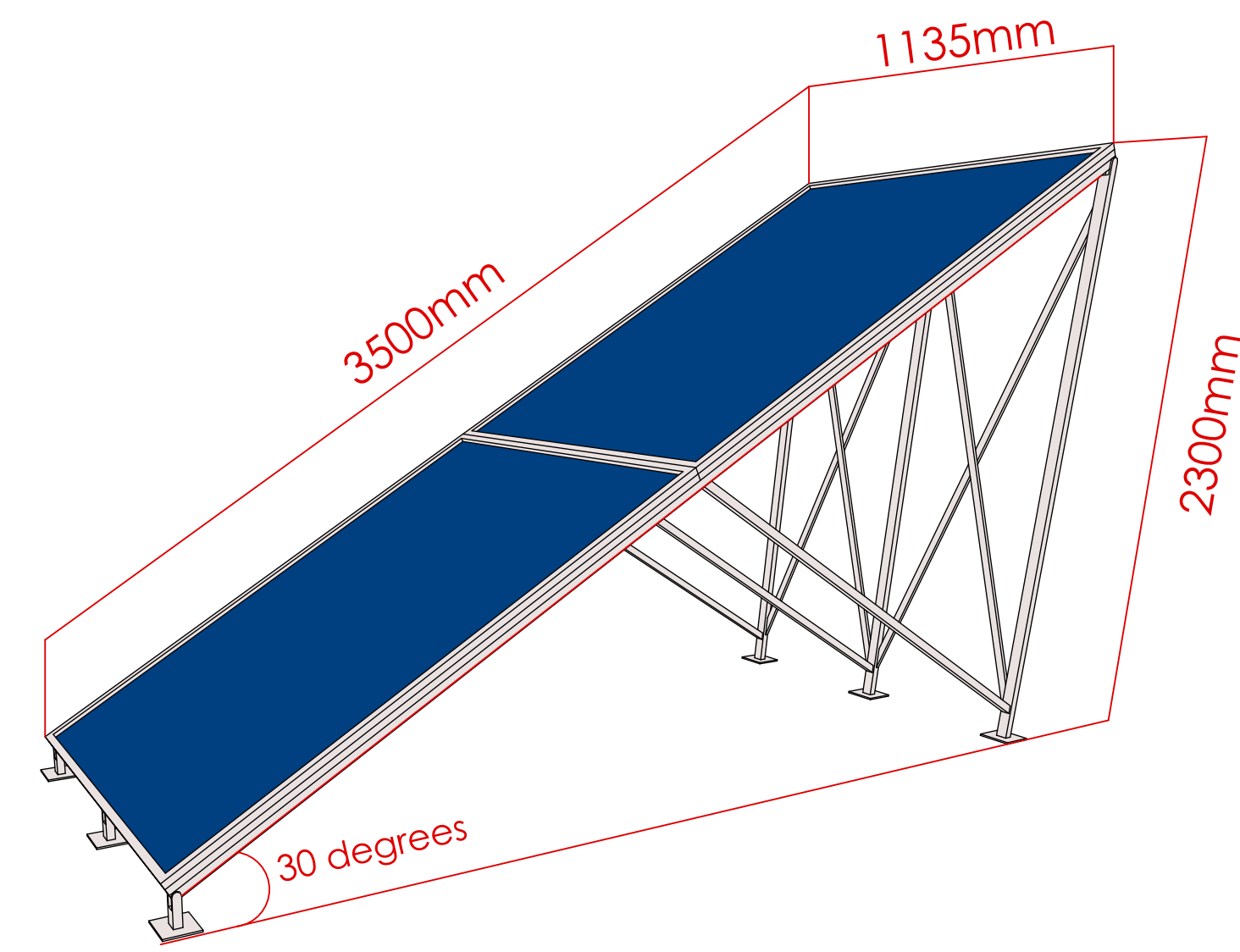
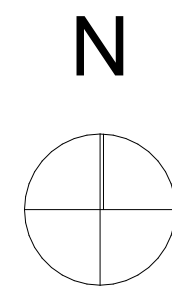
South Elevation | Scale 1:50



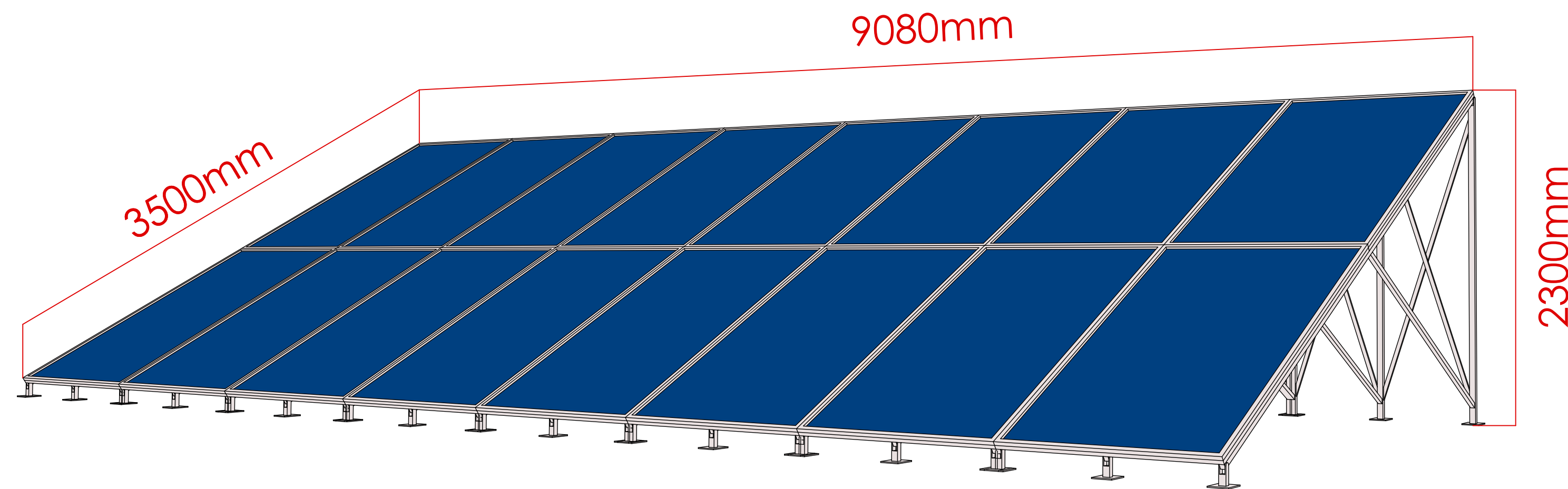
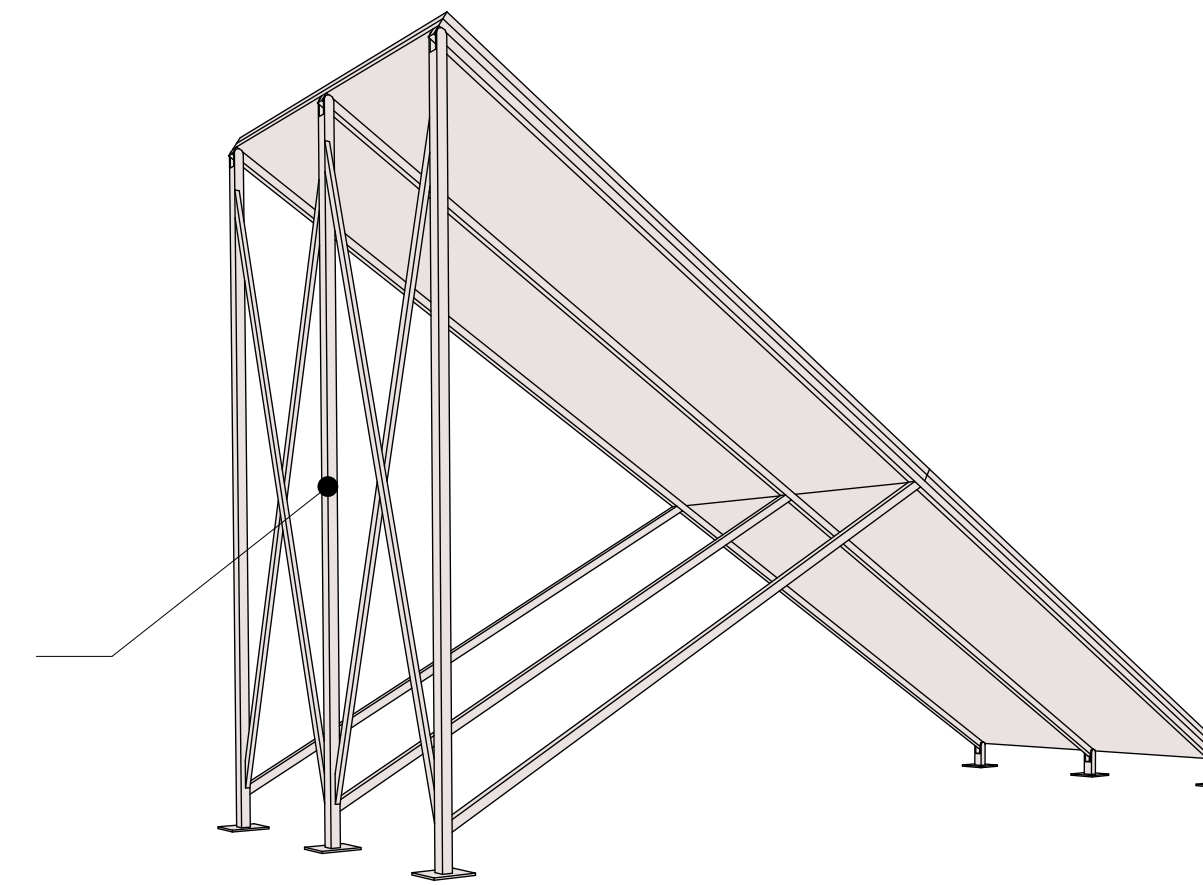
West | Scale 1:50



East | Scale 1:50



Rear supports to manufacturer design



3D Solar Panel View | Scale NTS



Notes

The content of the drawing remain the copyright of **LRArchitecture**, no reproduction without written consent

All dimensions to be verified on site. Any discrepancies are to be reported to the relevant parties.

Do not scale from drawing, figured dimensions to be used only. drawings to be read in conjunction with all relevant drawings/ schedules ect, which relate to this project

Project

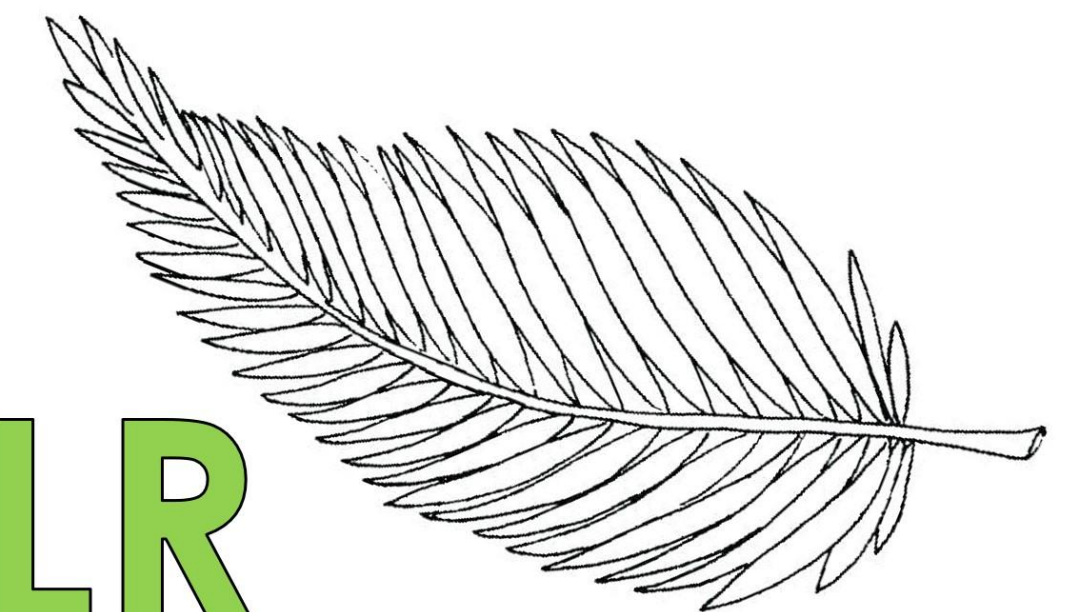
Solar Pannel Planning Application

Project Adress

5 Brook Cottages, Romsey, Road, Brook, Kings Somborne SO20 6QR

Client

Trevor Broom



LR
Architecture

07729564872

Drawing Number	005	Page Size	A1
Scale	1:50	Drawn By	Luke Richards