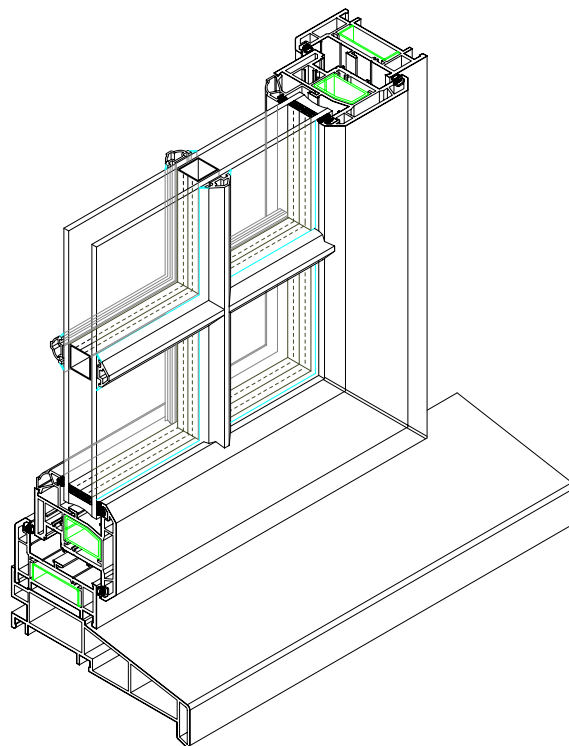


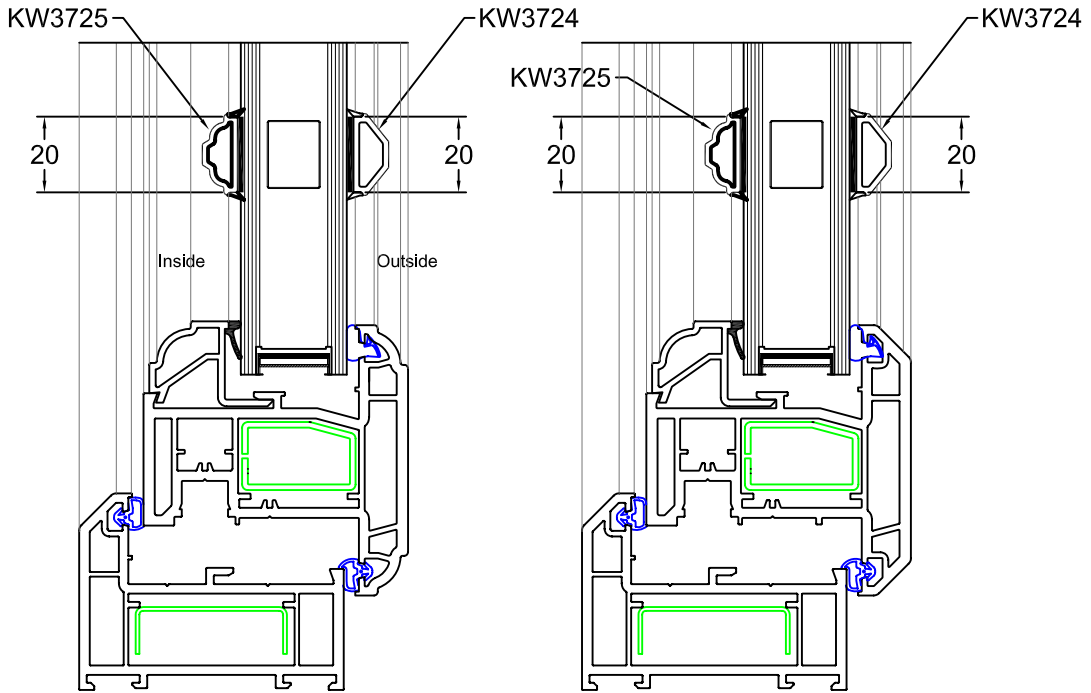


SURVEY MANUAL
MKVIII PVCU
CASEMENT WINDOWS
SECTION E

THE COTTAGE RANGE



Section through and isometric details of Authentic Georgian Bar



Scale 1:2

