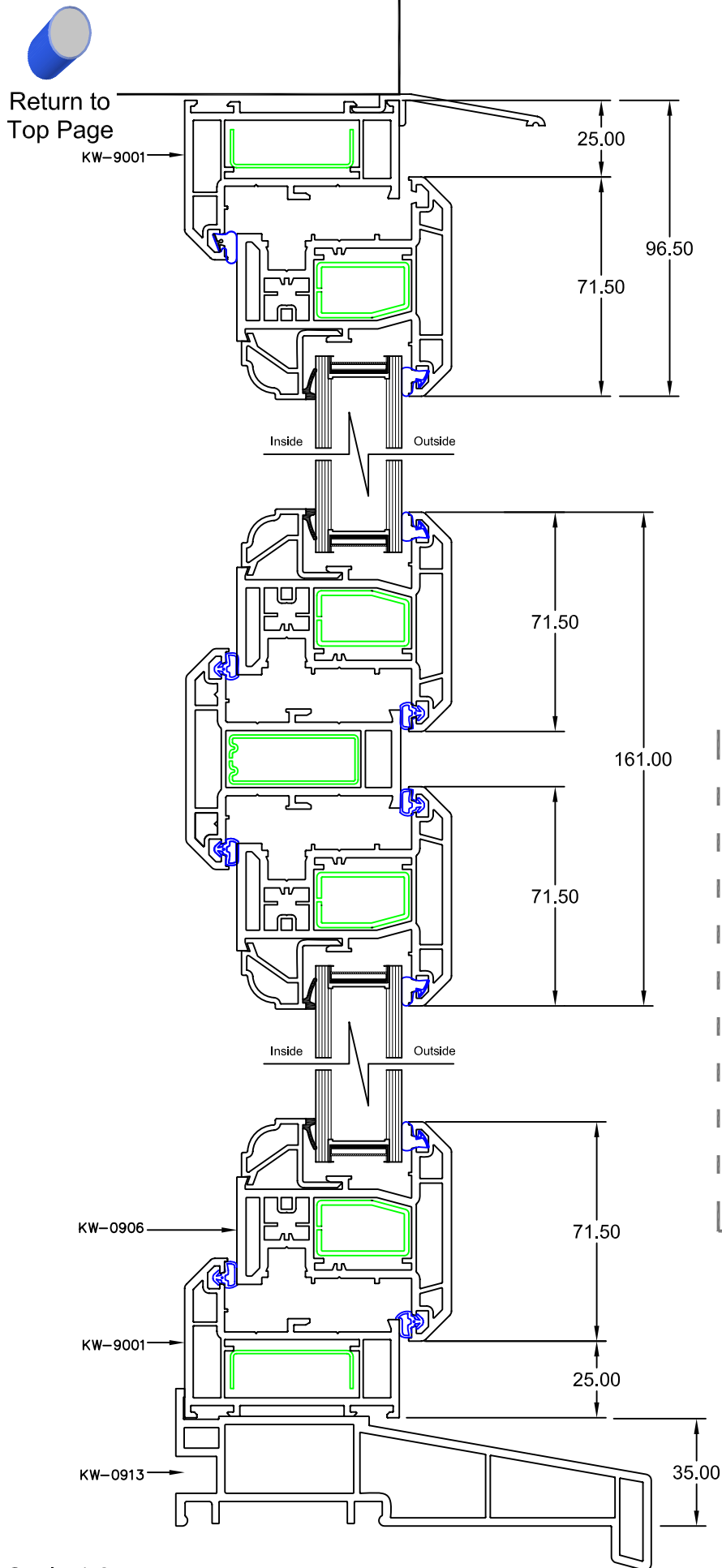


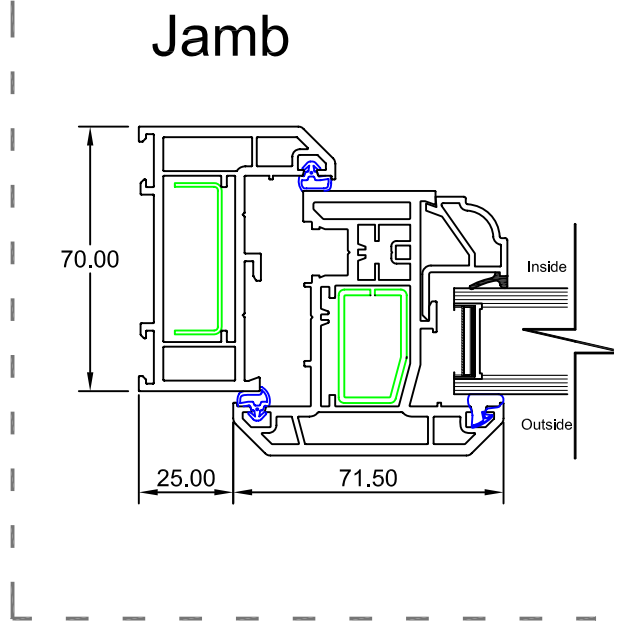
Section



Return to
 Top Page

Return to
 Elevation
 Page

Jamb



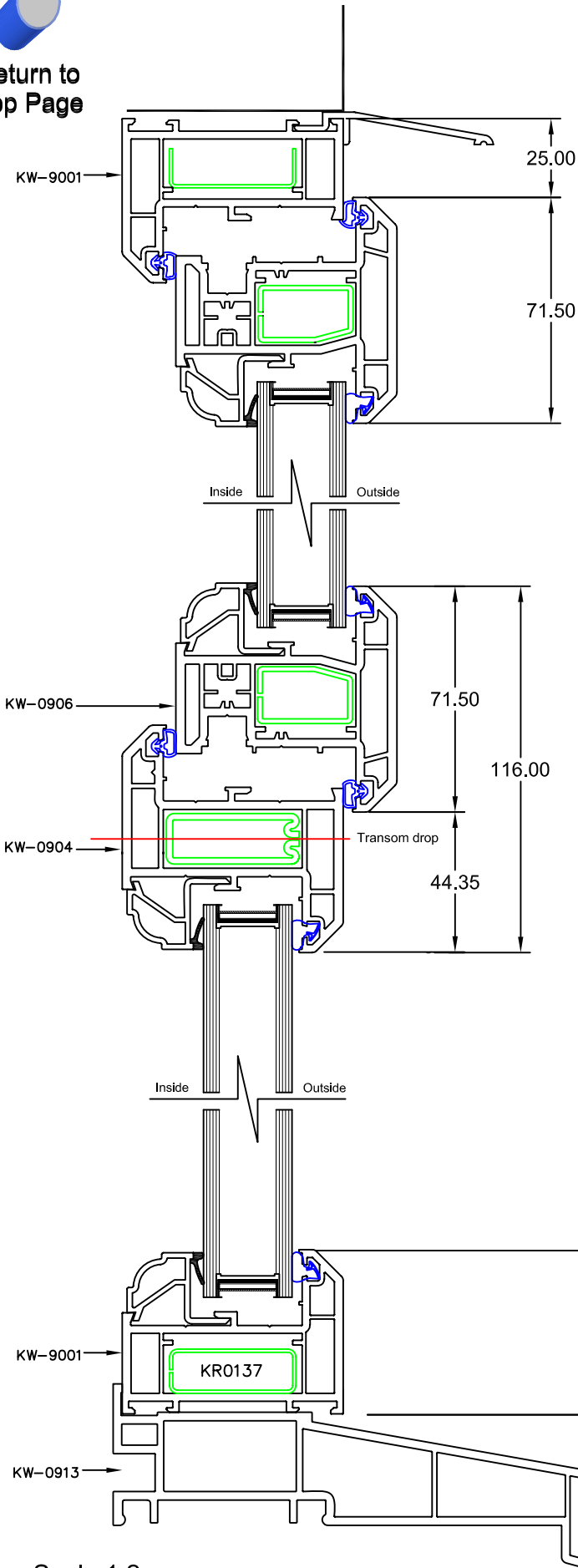
Section



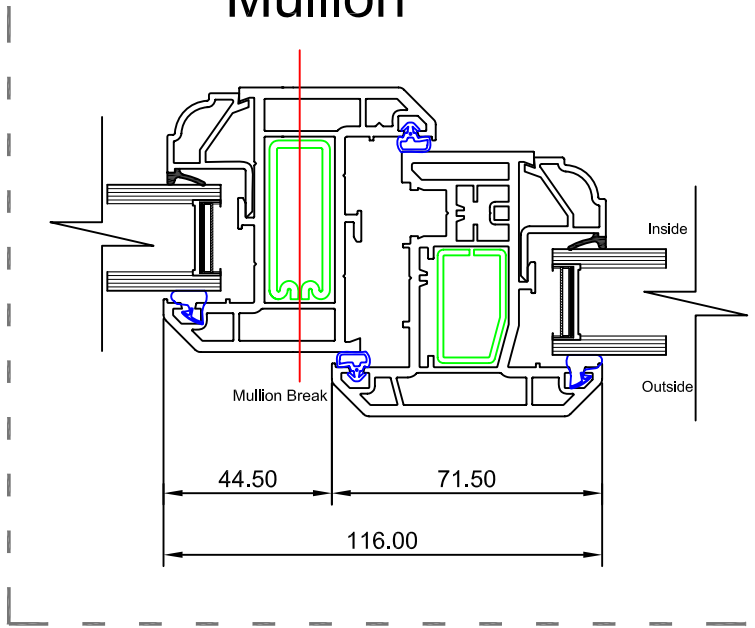
Return to
 Top Page



Return to
 Elevation
 Page



Mullion



Scale 1:2

Section

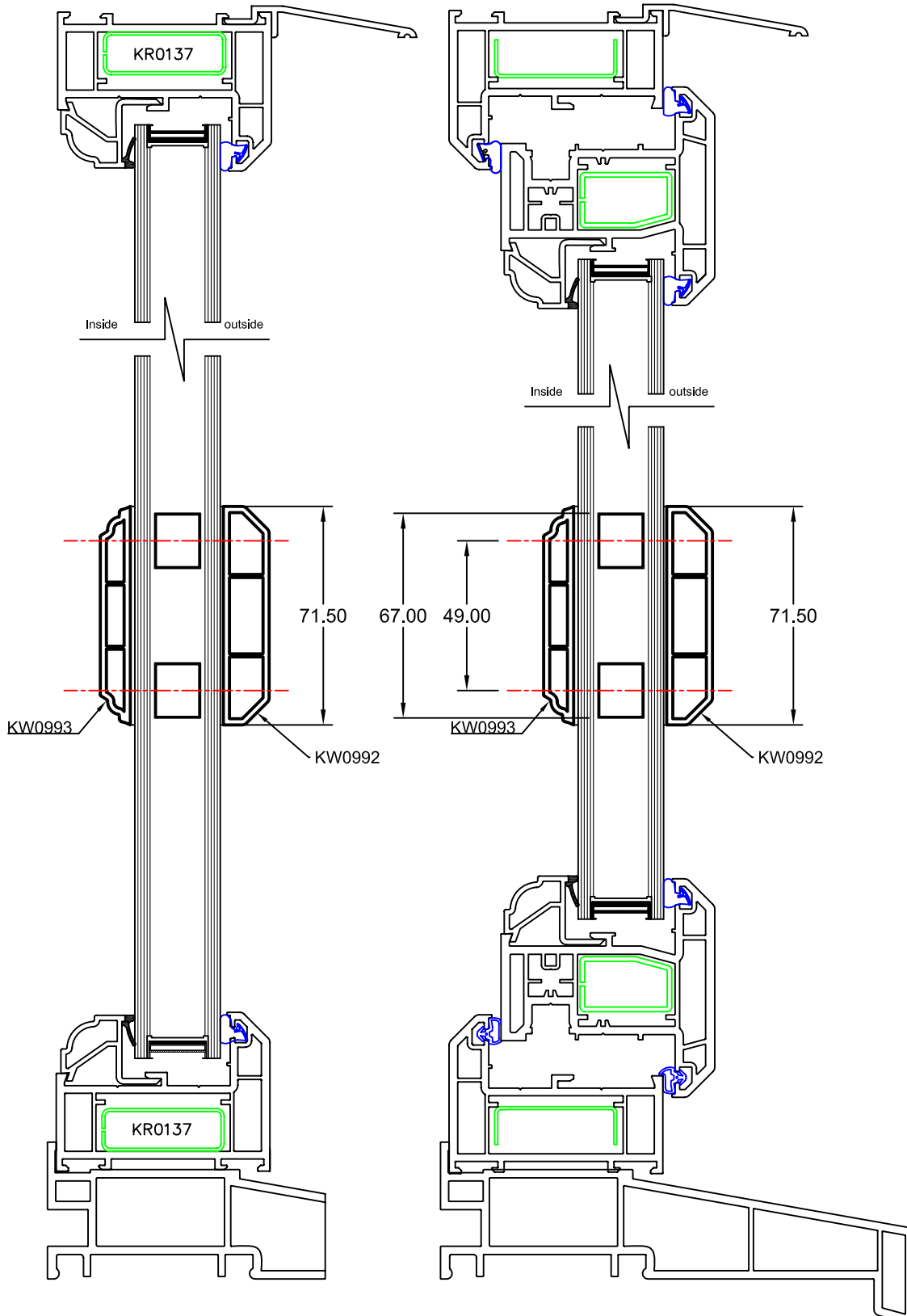


Return to
Top Page



Return to
Elevation
Page

Stick on dummy transom



Section



Return to
Top Page



Return to
Elevation
Page

Floating Mullion comparison with standard mullion

