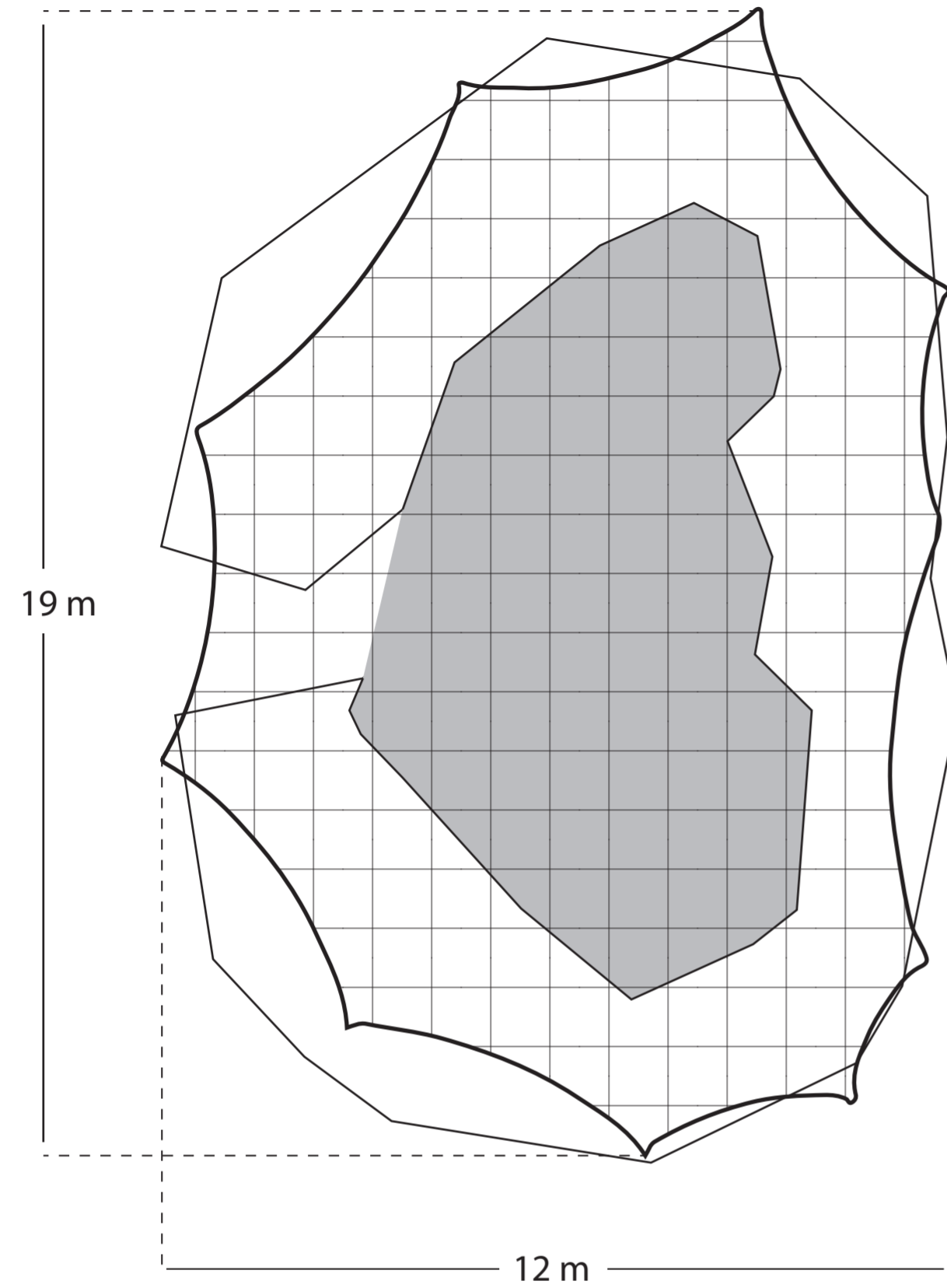


Notes :

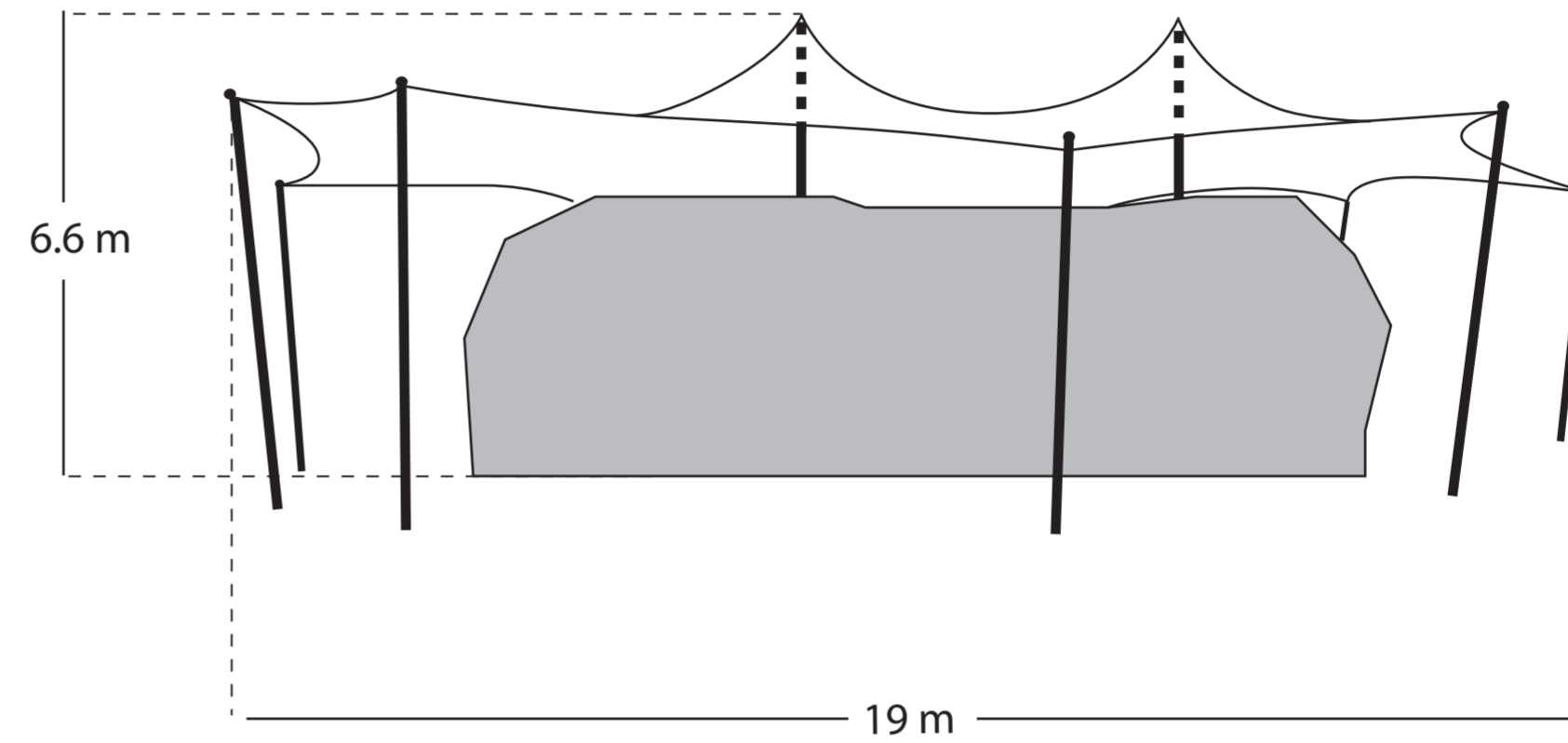
Due to the nature of the canvas tent structure dimensions will vary slightly.

*The Side poles vary between 4.5m and 5.5m height depending on the angle required to adequately tension the canvas.

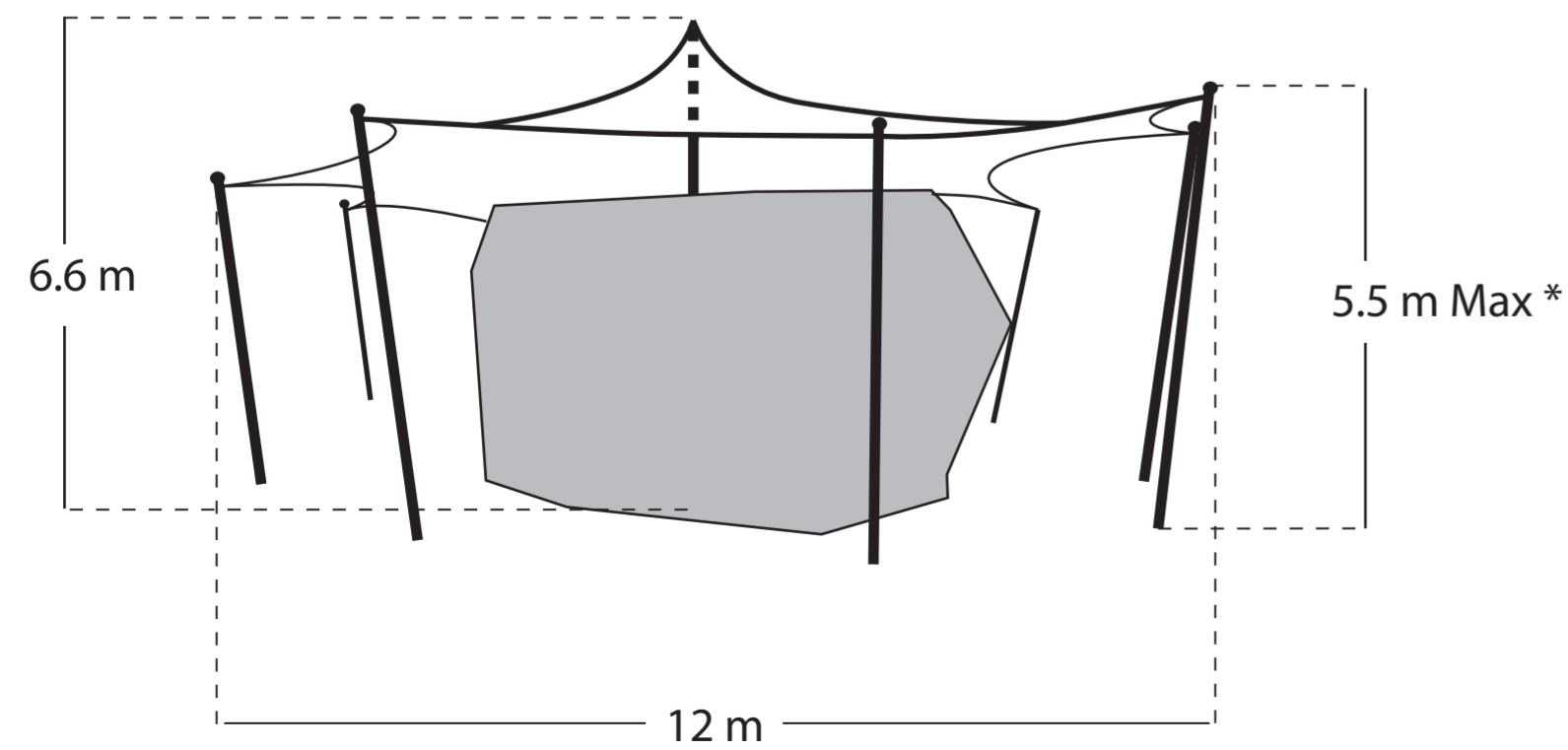
Birds Eye



Front Elevation



Side Elevation



Client :

Job Title :

Oakwood
Waterloo Road
Wokingham
RG40 3DA

Drawing Title :

Top, Front and Side elevation drawing of canvass boulder covering at Oakwood Youth Challenge.

Scale : 1:100



Date : November 2023

Drawn By :

Drawing No.

Revision No.