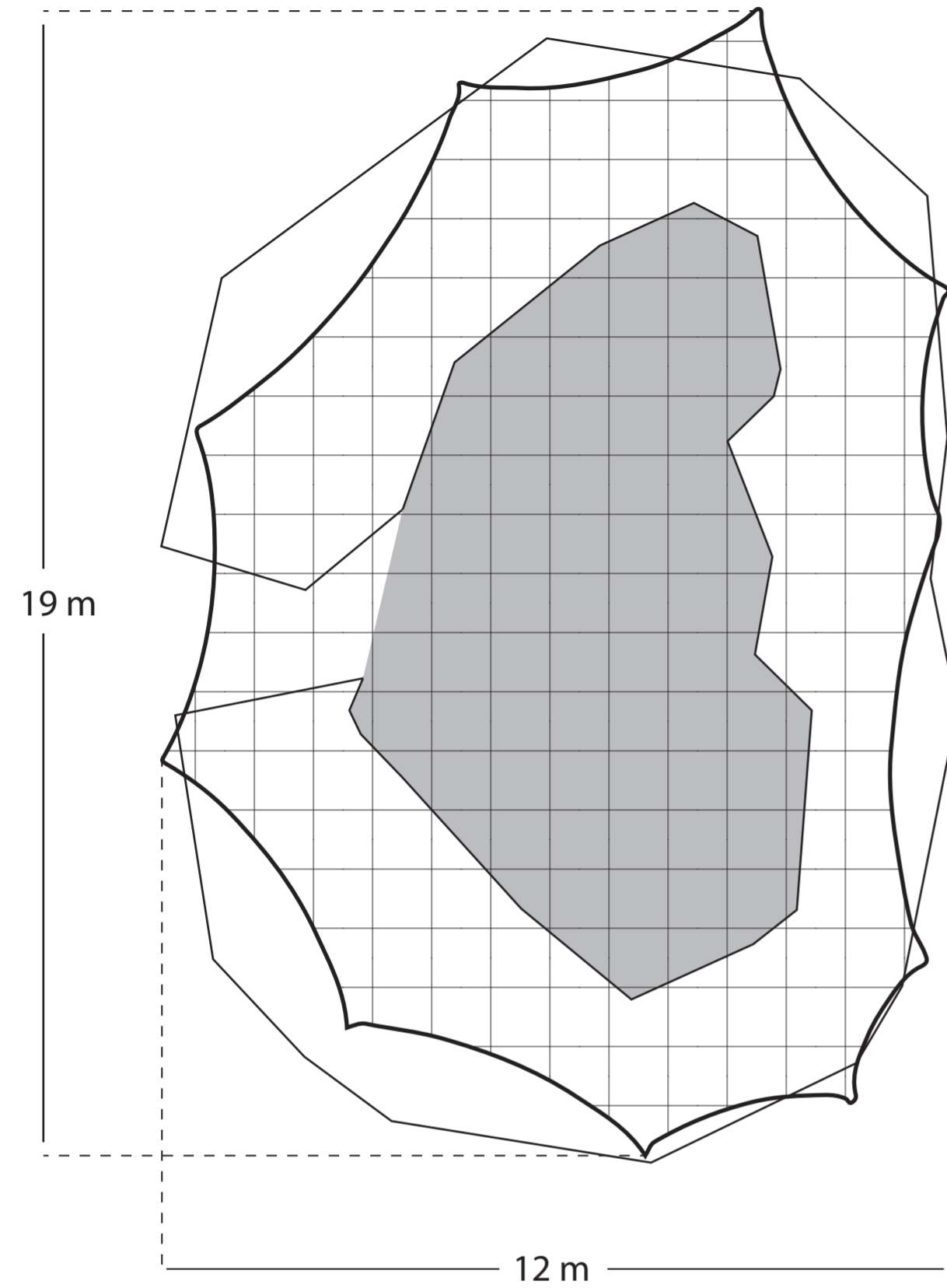


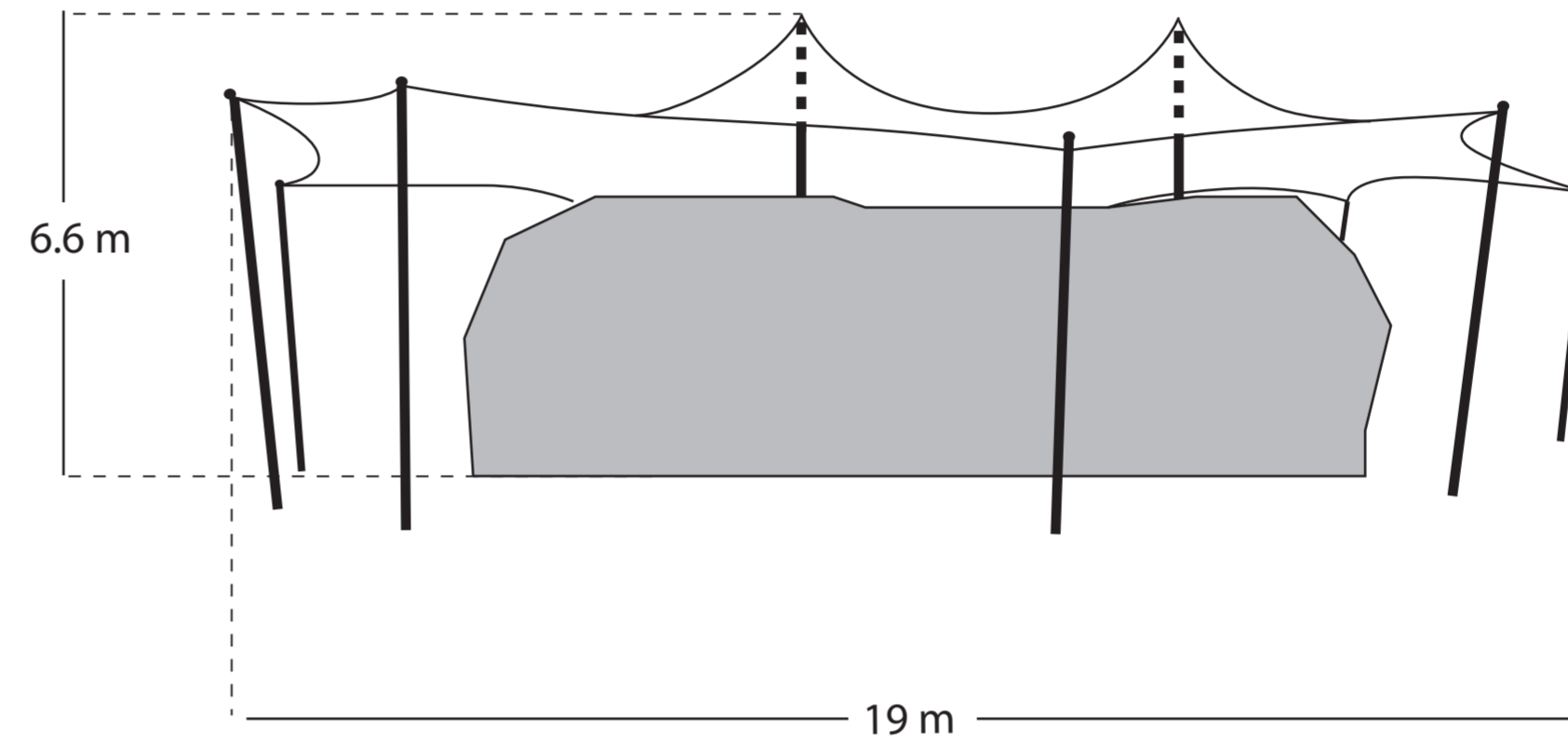
**Notes :**

Due to the nature of the canvas tent structure dimensions will vary slightly.

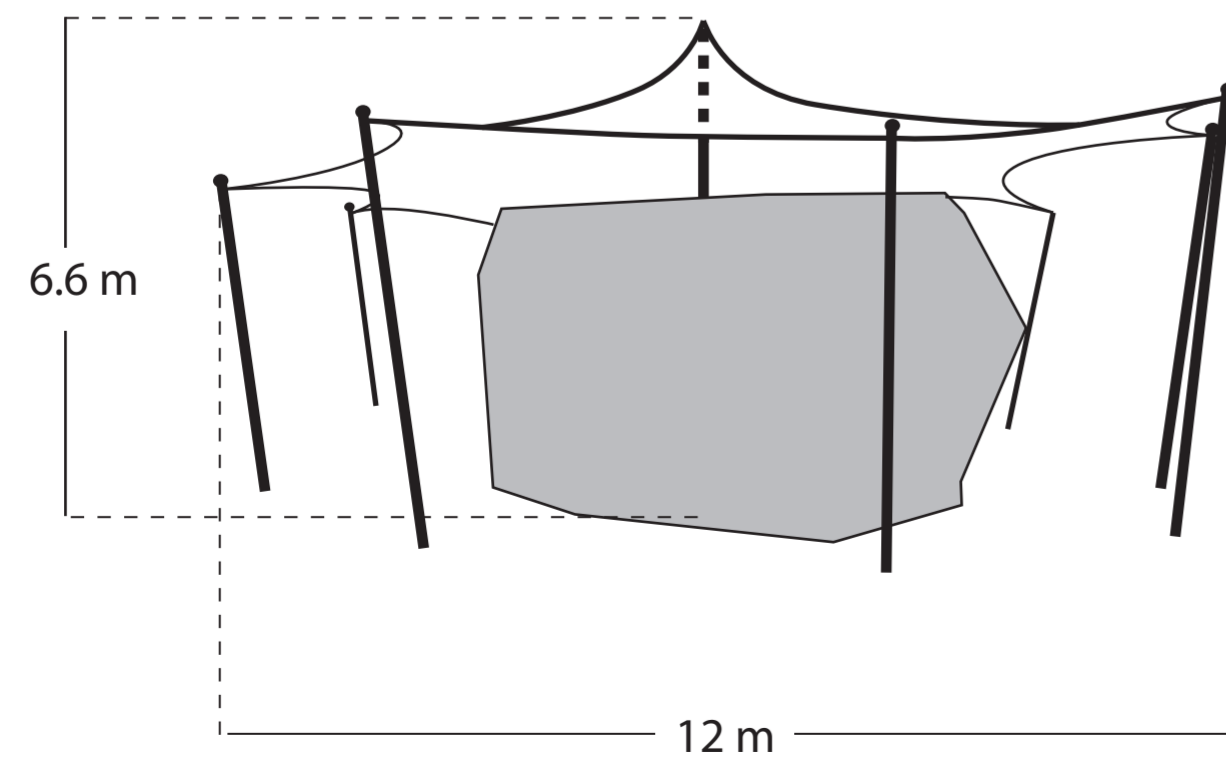
**Birds Eye**



**Front Elevation**



**Side Elevation**



**Client :**

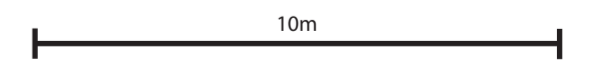
**Job Title :**

Oakwood  
Waterloo Road  
Wokingham  
RG40 3DA

**Drawing Title :**

Top, Front and Side elevation drawing of canvass boulder covering at Oakwood Youth Challenge.

**Scale :** 1:100



**Date :** November 2023

**Drawn By :**

**Drawing No.**

**Revision No.**