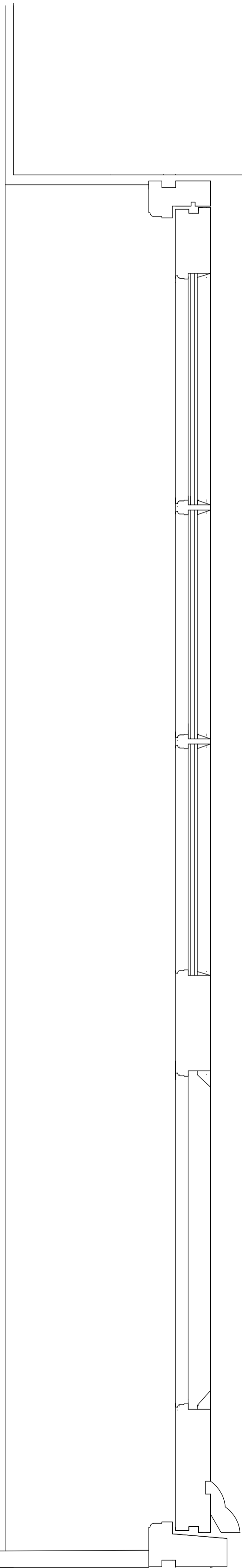


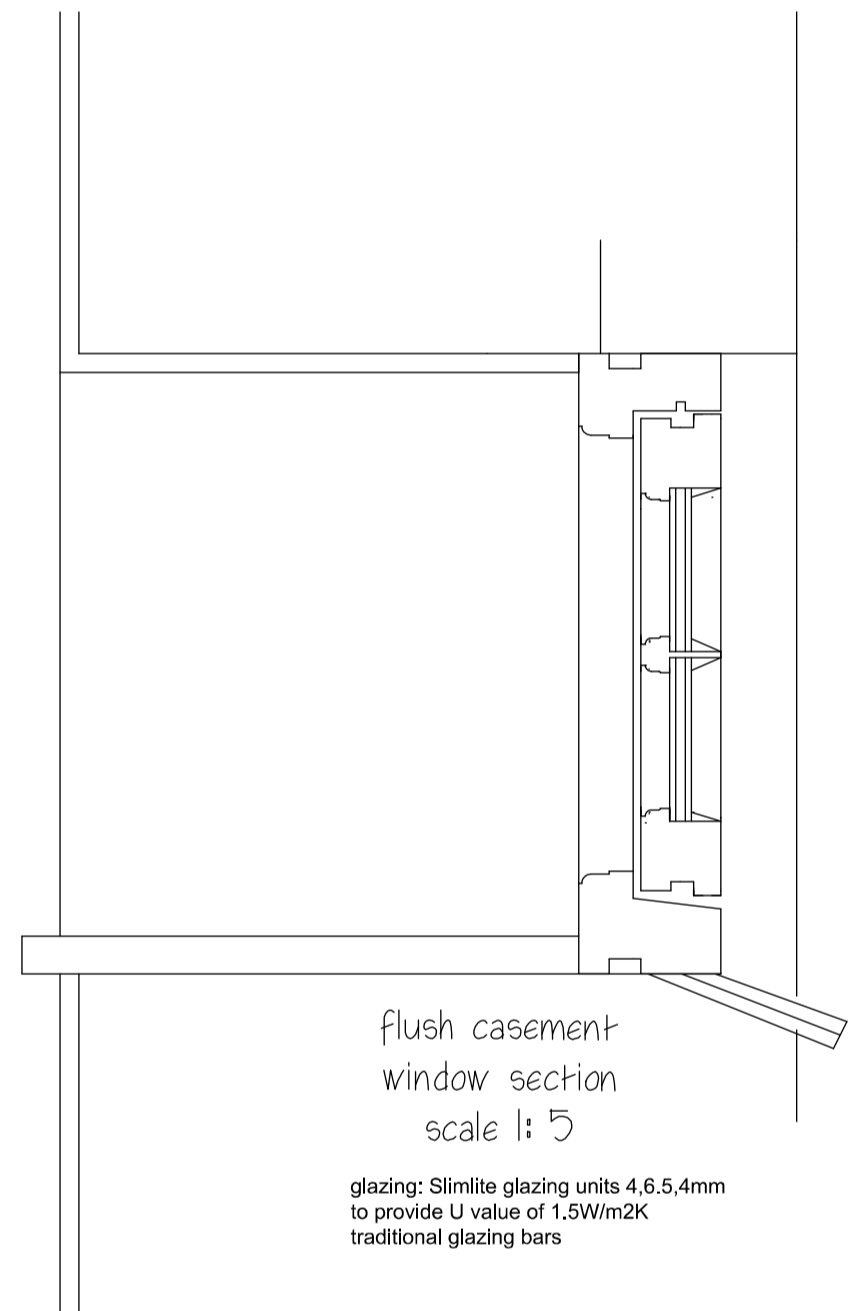
entrance, sitting
& office
door section
scale 1:5

glazing: Slimlite glazing units 4,6,4mm
to provide U value of 1.7W/m2K



rear entrance,
door section
scale 1:5

glazing: Slimlite glazing units 4,6,4mm
to provide U value of 1.7W/m2K



flush casement
window section
scale 1:5

glazing: Slimlite glazing units 4,6,5,4mm
to provide U value of 1.5W/m2K
traditional glazing bars

© McCombie Smith Architects



McCombie Smith Architects
71 Main Street . Greetham . Rutland . LE15 7NJ
Tel 01572 812808

**Renovation of
The White Swan
Seaton Road, Harringworth
For The White Swan Harringworth Ltd
Window and door sections**

SCALE 1:5 on A2
DATE Mar 2023
DRAWN KM

962/22/3A