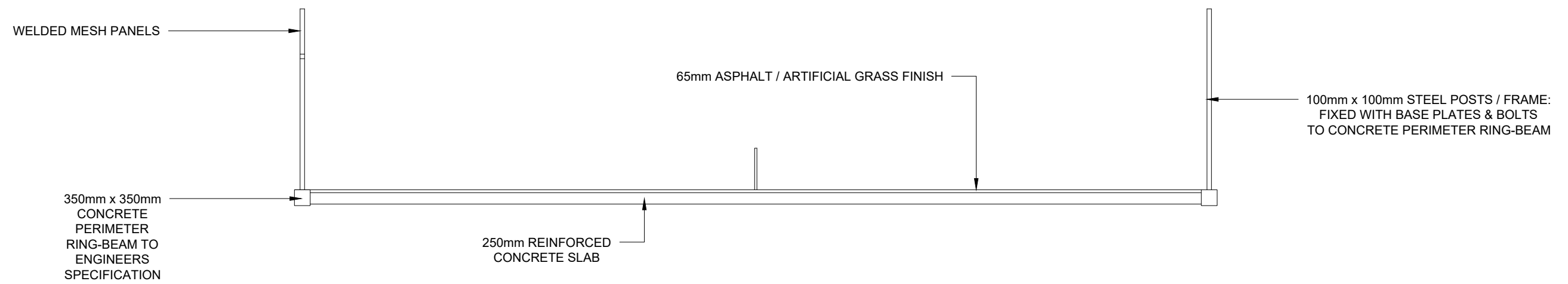


N.B. Do not scale from this drawing. All measurements to be checked and verified on site. This drawing is to be read in conjunction with other drawings in this series and all relevant consultants drawings and documentation where applicable. This drawing has been produced for the specific client and project identified and as such, is not intended for use by any other person - or for any other purpose - other than indicated on this drawing. The intellectual property rights contained within this drawing are retained by the author.



D E L A V A L S
D · E · S · I · G · N

SPATHAM FARM COTTAGE, SPATHAM LANE, WESTMESTON
PROPOSED PADEL COURT
SECTION AA
SCALE 1:100 @ A3

PROJECT REFERENCE: 23.09.18
DRAWING REFERENCE: 23.09.18.004

