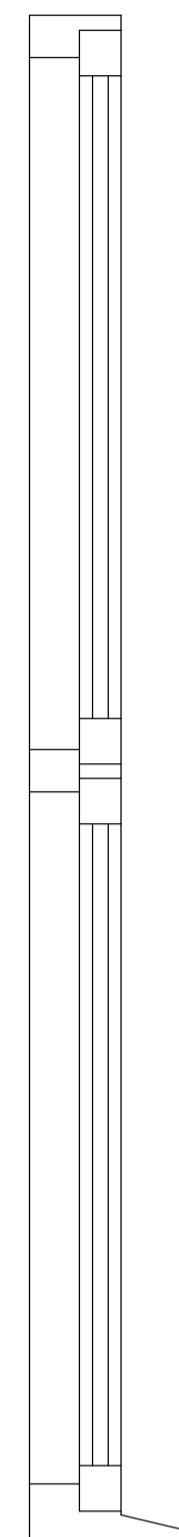
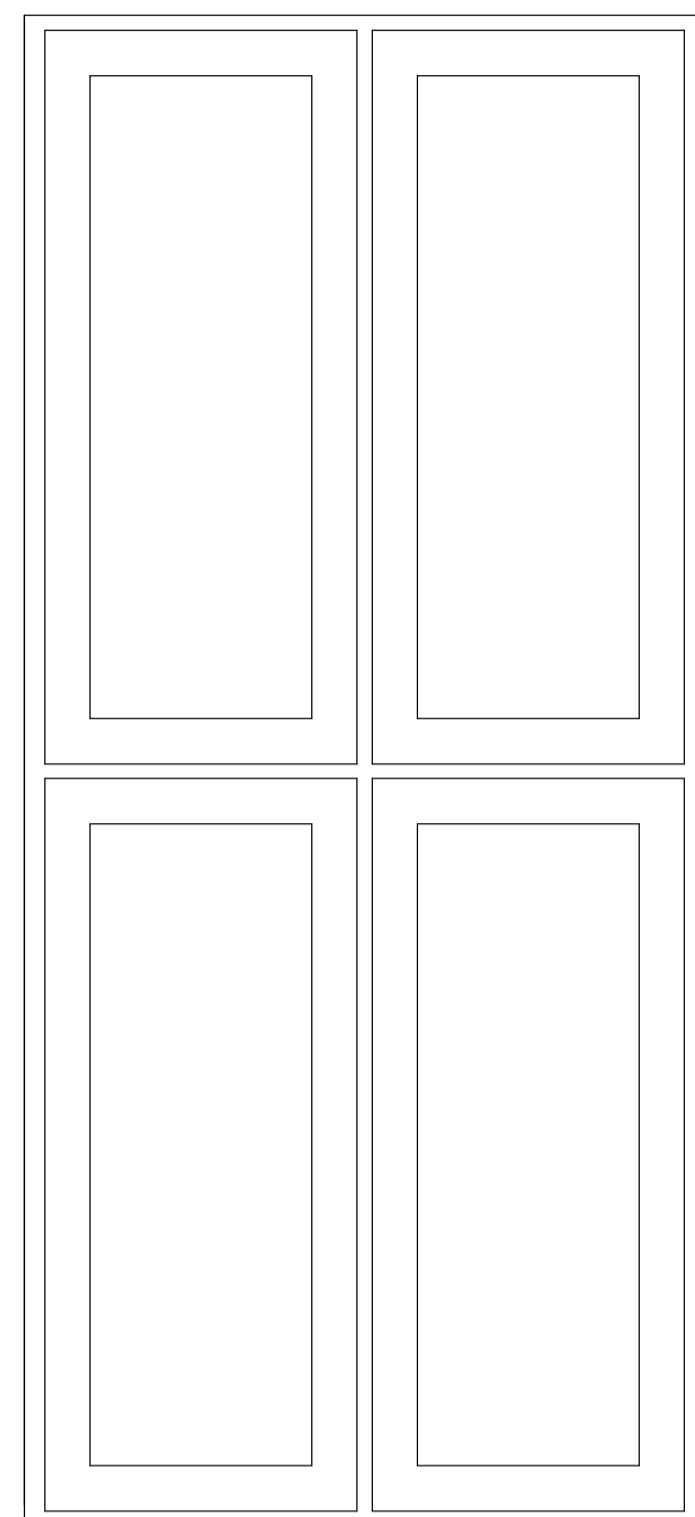
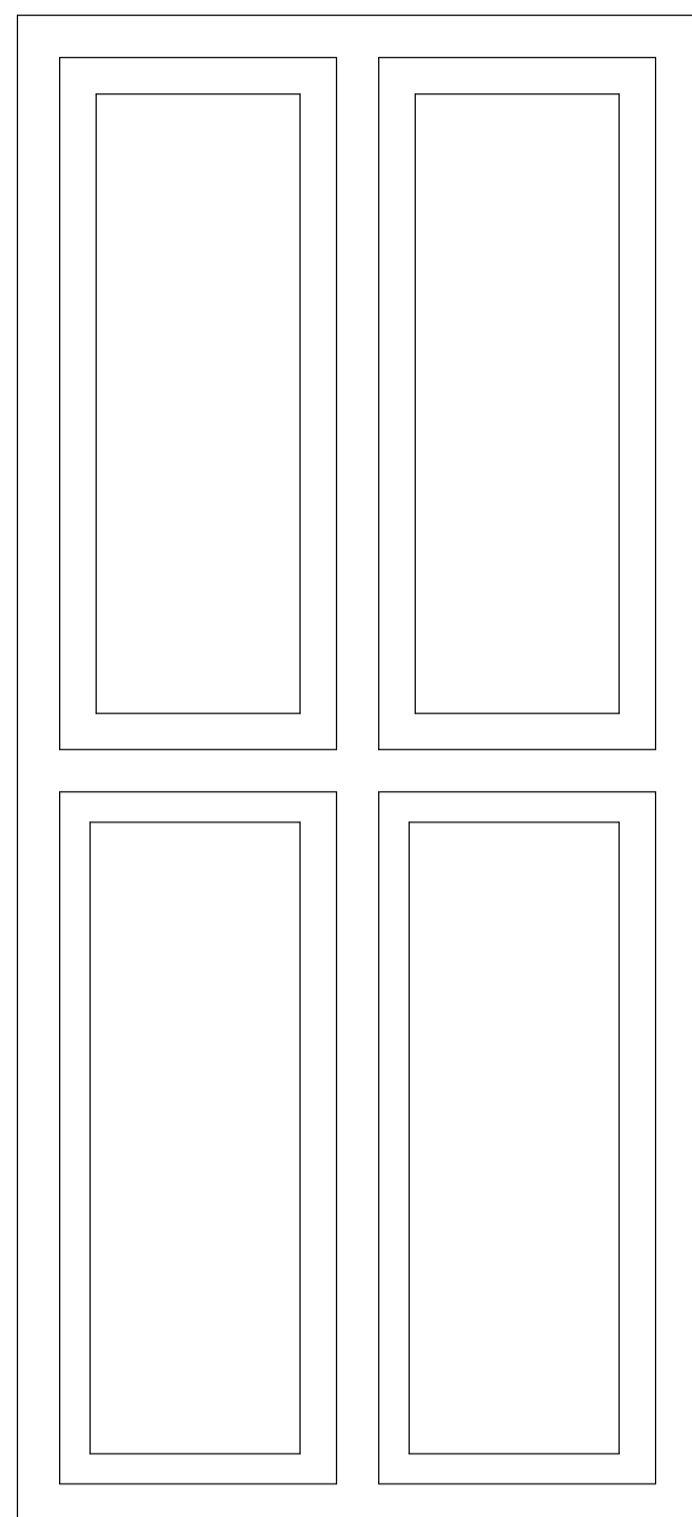


Inside Elevation

Outside Elevation

Section

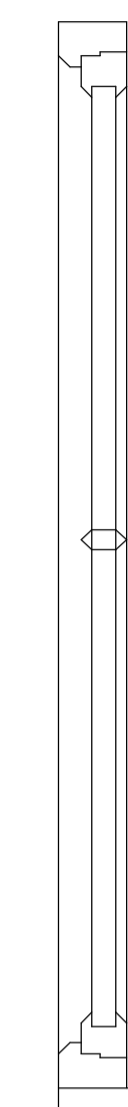
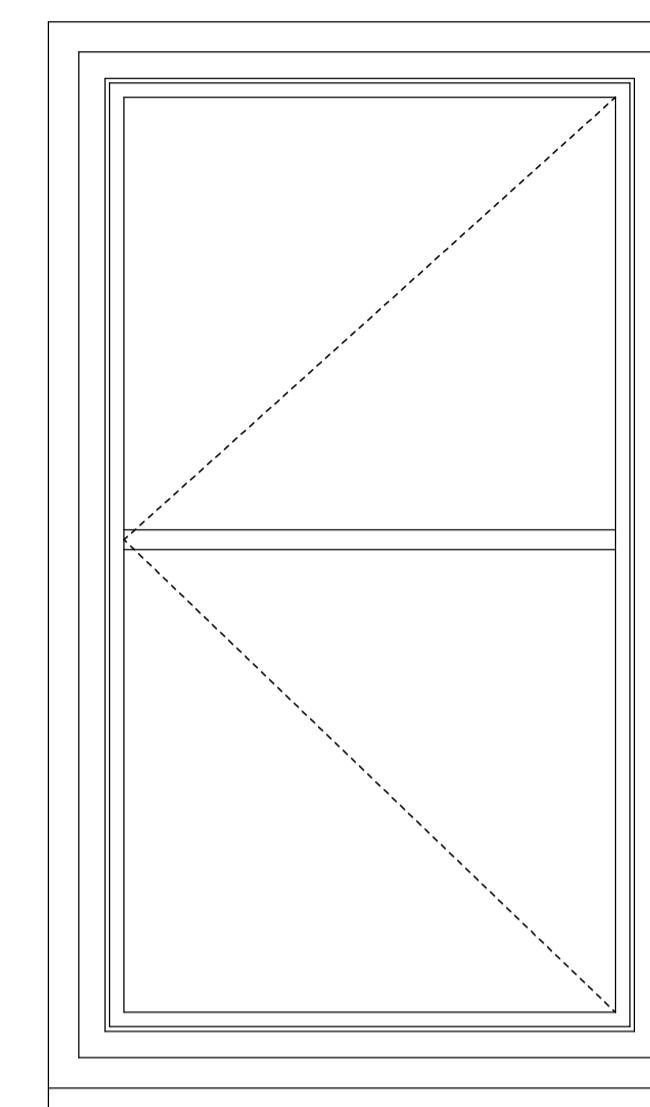
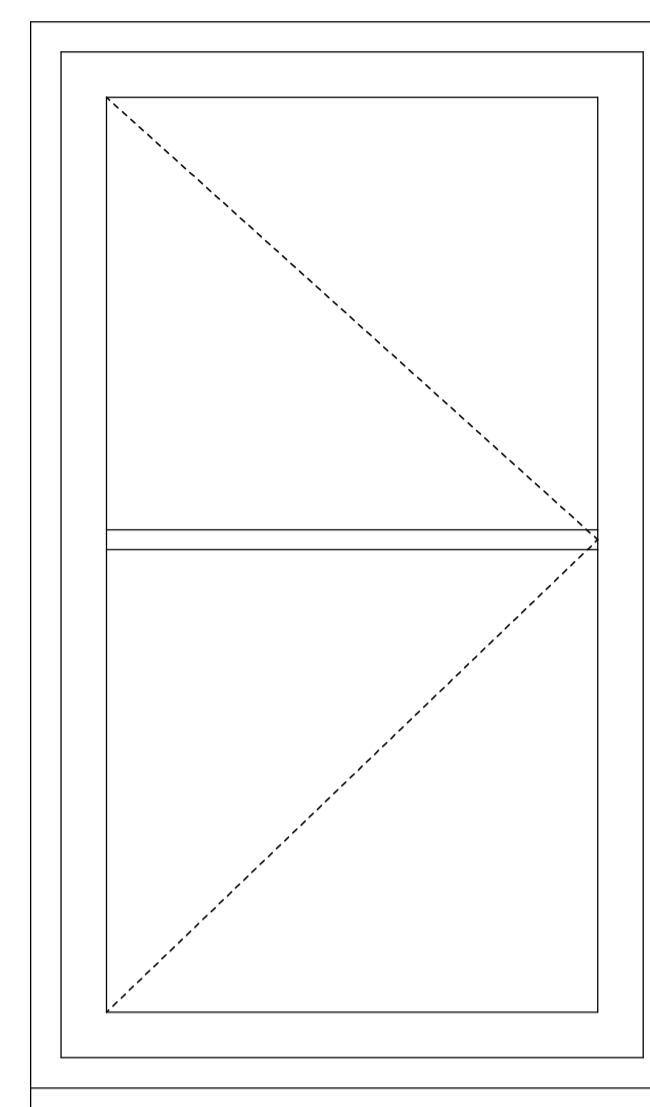


**1 Window 2 Existing**  
1 : 10

Outside Elevation

Inside Elevation

Section

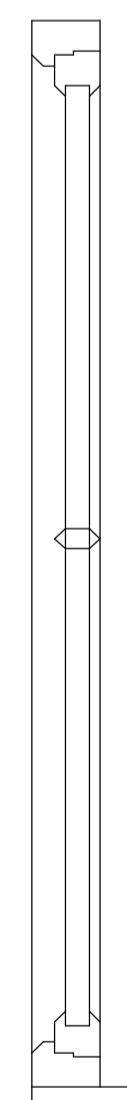
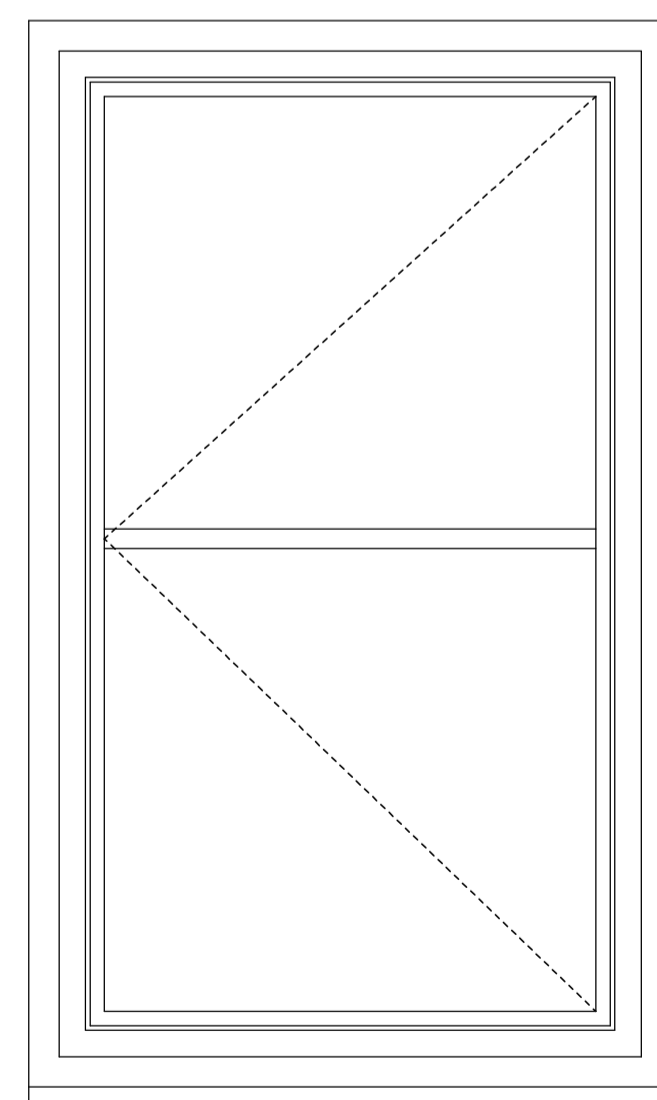
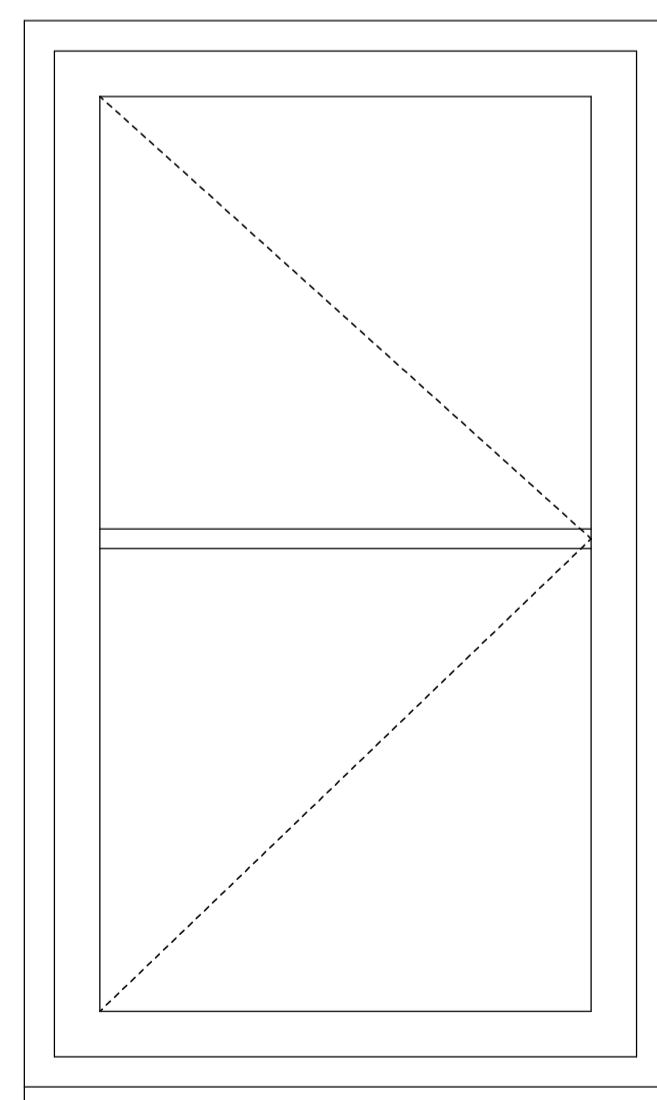


**2 Window 3 Existing**  
1 : 10

Outside Elevation

Inside Elevation

Section

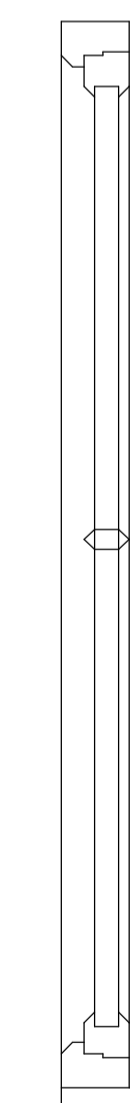
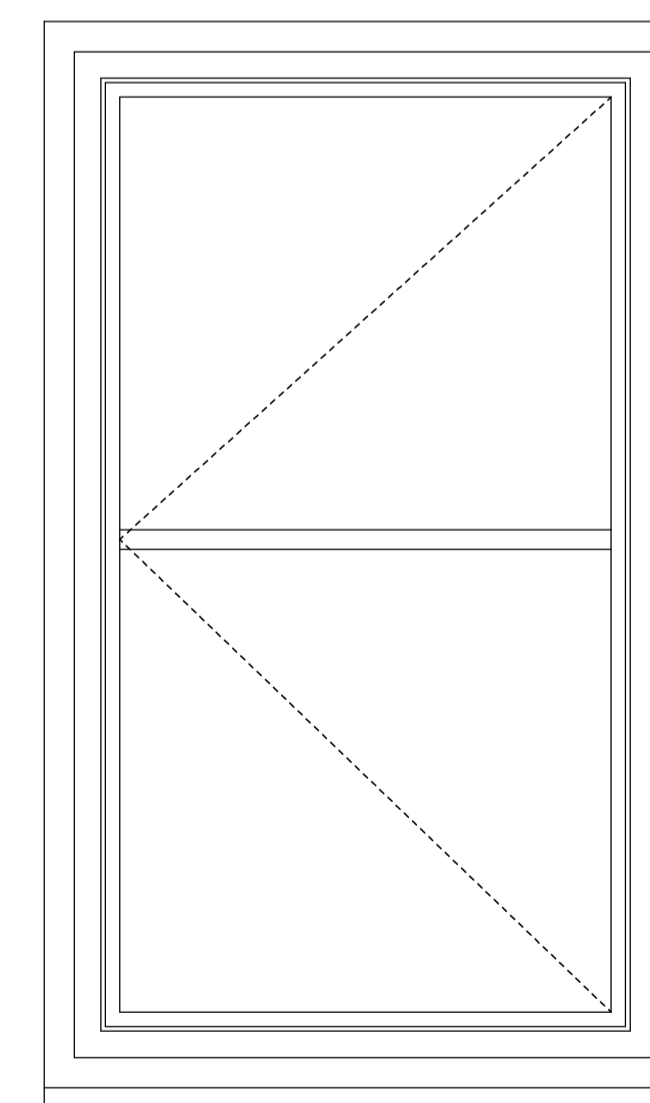
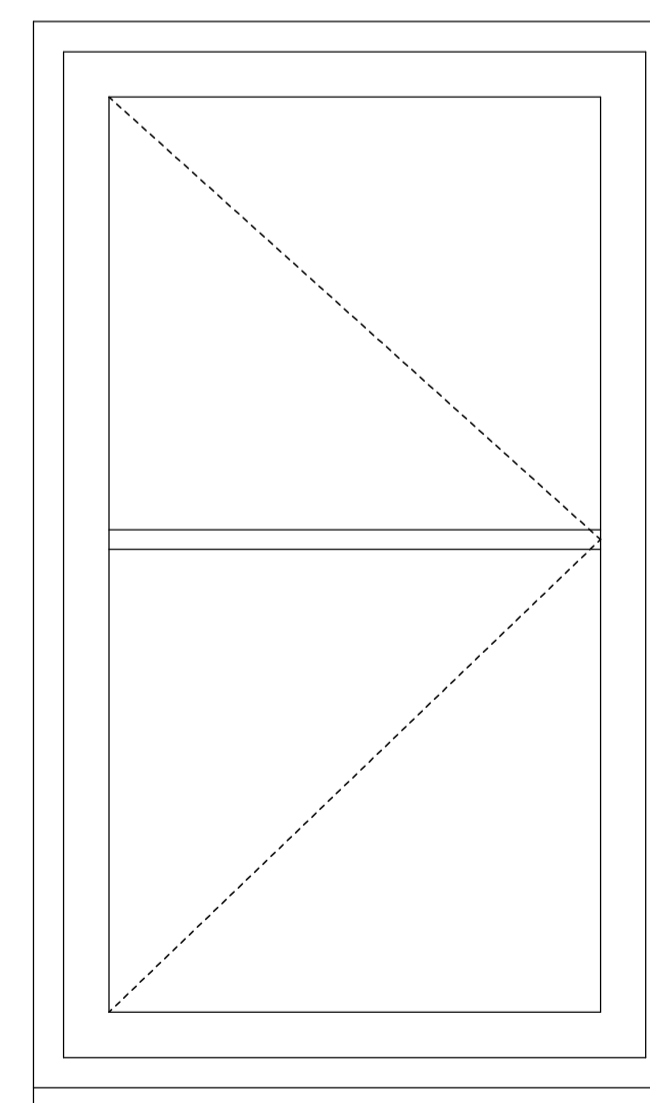


**3 Window 4 Existing**  
1 : 10

Outside Elevation

Inside Elevation

Section



**4 Window 5 Existing**  
1 : 10

**Project Details**

Client Name M. Nehman

Project Name Regnum Place

Client Address 6, Regnum Place, Chichester, PO19 1DS

**Drawing Details**

Sheet Name Window 2,3,4,5

Drawing number 161/04 REV A

Stage Planning

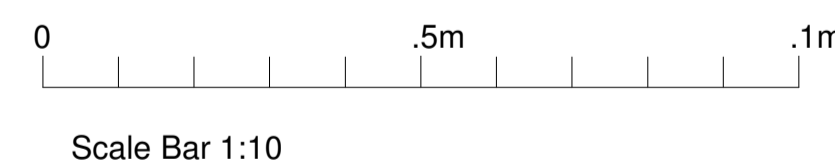
Date 11/07/2023

Drawn by Checker

Scale @ A1 1 : 10

**Revisions**

Removed window on East Elevation Proposed



**Notes**

Do not scale except for planning purposes. Use figured dimensions only.

Contractor is responsible for taking all measurements on site including all fabricated items.

This drawing is subject to copyright and must not be reproduced without the consent of Forty Four Properties Ltd.