

# MSZ-LN R32

## Wall Mounted System

Inverter Heat Pump

Mseries

The **MSZ-LN range** is a wall mounted system that blends energy efficiency with a sophisticated streamlined design. Finished with a choice of deep, rich colours and a premium quality feel, this range features the latest product innovations, all designed to enhance the user experience.

R32



### Key Features & Benefits:

- 3D i-see sensor provides customised comfort by automatically monitoring room occupancy, position and body temperatures
- Plasma Quad Plus filter uses powerful plasma technology to filter out even microscopic particles
- Dual-Barrier Coating to the heat exchanger, fan and air duct prevents dust and grease accumulation
- Built-in Wi-Fi interface enabling control and monitoring via the MELCloud app - now compatible with Alexa
- New backlit controllers



# Air Conditioning Product Information

## MSZ-LN R32 Wall Mounted System Inverter Heat Pump

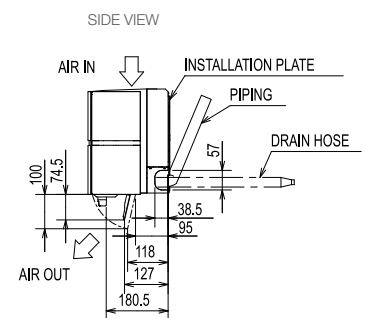
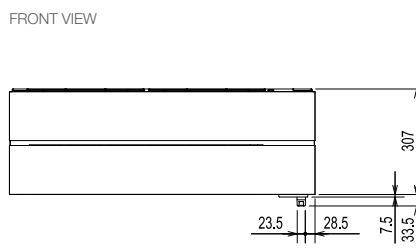
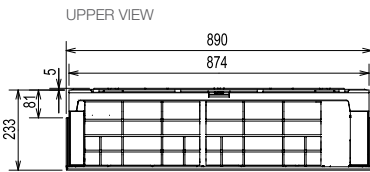


MSZ-LN INDOOR UNITS		MSZ-LN18VG2 R/B/V/W	MSZ-LN25VG2 R/B/V/W	MSZ-LN35VG2 R/B/V/W	MSZ-LN50VG2 R/B/V/W	MSZ-LN60VG2 R/B/V/W
CAPACITY (kW)	Heating (nominal)	2.0 (0.9 - 4.0)	3.2 (0.8 - 5.4)	4.0 (1.0 - 6.3)	6.0 (1.0 - 8.2)	6.8 (1.8 - 9.3)
	Cooling (nominal)	1.8 (0.9 - 3.0)	2.5 (1.0 - 3.5)	3.5 (0.8 - 4.0)	5.0 (1.0 - 6.0)	6.1 (1.4 - 6.9)
	Heating (UK)	-	2.64 (0.66 - 4.45)	3.3 (0.83 - 5.2)	4.94 (0.82 - 6.75)	5.6 (1.48 - 7.66)
	Cooling (UK)	-	2.48 (0.99 - 3.47)	3.47 (0.79 - 3.96)	4.95 (0.99 - 5.94)	6.05 (1.38 - 6.84)
SHF (nominal)	-	0.97	0.90	0.77	0.75	0.75
COP / EER (nominal)	-	5.52 / 5.15	5.00 / 4.27	4.05 / 3.62	3.76 / 3.41	3.76 / 3.41
SCOP / SEER (BS EN14825)	-	5.2 / 10.5	5.1 / 9.5	4.6 / 8.5	4.6 / 7.5	4.6 / 7.5
ERP ENERGY EFFICIENCY CLASS	Heating/Cooling	-	A+++ / A+++	A+++ / A+++	A++ / A+++	A++ / A++
AIRFLOW (l/s)	Heating (SLo-Lo-Mi-Hi-SHi)	67-95-118-142-240	67-95-118-142-240	71-97-118-142-228	90-107-142-178-262	110-158-192-227-262
	Cooling (SLo-Lo-Mi-Hi-SHi)	71-97-118-147-198	71-97-118-147-198	71-97-118-147-213	95-127-148-177-232	118-147-177-212-262
PIPE SIZE mm (in)	Gas	9.52 (3/8")	9.52 (3/8")	9.52 (3/8")	9.52 (3/8")	12.7 (1/2")
	Liquid	6.35 (1/4")	6.35 (1/4")	6.35 (1/4")	6.35 (1/4")	6.35 (1/4")
SOUND PRESSURE LEVEL (dBA)	Heating (SLo-Lo-Mi-Hi-SHi)	19-24-29-36-45	19-24-29-36-45	19-24-29-36-45	25-29-34-39-47	29-37-41-45-49
	Cooling (SLo-Lo-Mi-Hi-SHi)	19-23-29-36-42	19-23-29-36-42	19-24-29-36-43	27-31-35-39-46	29-37-41-45-49
SOUND POWER LEVEL (dBA)	-	58	58	58	60	65
DIMENSIONS (mm)	Width x Depth x Height	890 x 233 x 307	890 x 233 x 307	890 x 233 x 307	890 x 233 x 307	890 x 233 x 307
WEIGHT (kg)	-	15.5	15.5	15.5	15.5	15.5
ELECTRICAL SUPPLY	-	Fed by Outdoor Unit	Fed by Outdoor Unit	Fed by Outdoor Unit	Fed by Outdoor Unit	Fed by Outdoor Unit
FUSE RATING (BS88) - HRC (A)	-	6	6	6	6	6
INTERCONNECTING CABLE No. CORES	-	4	4	4	4	4

Notes: MSZ-LN18VG only available with R32 MXZ Multi-Split outdoor units. Ruby Red (R), Onyx Black (B), Pearl White (V), Natural White (W).

MSZ-LN OUTDOOR UNITS		N/A MULTI-SPLIT ONLY	MUZ-LN25VG2	MUZ-LN35VG2	MUZ-LN50VG2	MUZ-LN60VG2
SOUND PRESSURE LEVEL (dBA)	Heating/Cooling	-	49 / 46	50 / 49	54 / 51	55 / 55
SOUND POWER LEVEL (dBA)	Cooling	-	60	61	64	65
WEIGHT (kg)	-	-	35	35	40	55
DIMENSIONS (mm)	Width x Depth x Height	-	800 x 285 x 550	800 x 285 x 550	800 x 285 x 714	840 x 330 x 880
ELECTRICAL SUPPLY	-	-	220-240v, 50Hz	220-240v, 50Hz	220-240v, 50Hz	220-240v, 50Hz
PHASE	-	-	Single	Single	Single	Single
SYSTEM POWER INPUT (kW)	Heating/Cooling (nominal)	-	0.580 / 0.485	0.800 / 0.820	1.480 / 1.380	1.810 / 1.790
	Heating/Cooling (UK)	-	0.523 / 0.406	0.722 / 0.686	1.335 / 1.151	1.632 / 1.494
STARTING CURRENT (A)	-	-	3.0	4.0	6.8	7.9
SYSTEM RUNNING CURRENT (A)	Heating/Cooling [MAX]	-	3.0 / 2.5 [7.1]	4.0 / 3.9 [9.9]	6.8 / 6.3 [13.9]	7.9 / 7.9 [15.2]
FUSE RATING (BS88) - HRC (A)	-	-	10	10	16	16
MAINS CABLE No. CORES	-	-	3	3	3	3
MAX PIPE LENGTH (m)	-	-	20	20	30	30
MAX HEIGHT DIFFERENCE (m)	-	-	12	12	12	15
CHARGE REFRIGERANT (kg) / CO <sub>2</sub> EQUIVALENT (t) - R32 (GWP 675) - 7m	-	-	1.0 / 0.68	1.0 / 0.68	1.25 / 0.85	1.45 / 0.98
MAX ADDITIONAL REFRIGERANT (kg) / CO <sub>2</sub> EQUIVALENT (t) - R32 (GWP 675)	-	-	0.26 / 0.18	0.26 / 0.18	0.26 / 0.18	0.46 / 0.32

### MSZ-LN25/35/50/60VG2 R/B/V/W DIMENSIONS



Telephone: 01707 282880  
email: [air.conditioning@meuk.mee.com](mailto:air.conditioning@meuk.mee.com)  
[les.mitsubishielectric.co.uk](http://les.mitsubishielectric.co.uk)



Mitsubishi Electric Living Environmental Systems UK



Mitsubishi Electric Cooling and Heating UK



[mitsubishielectricuk\\_les](https://www.instagram.com/mitsubishielectricuk_les)



Mitsubishi Electric Living Environmental Systems UK



[thehub.mitsubishielectric.co.uk](http://thehub.mitsubishielectric.co.uk)

UNITED KINGDOM Mitsubishi Electric Europe Living Environment Systems Division, Travellers Lane, Hatfield, Hertfordshire, AL10 8XB, England. Telephone: 01707 282880 Fax: 01707 278881  
IRELAND Mitsubishi Electric Europe, Westgate Business Park, Ballymount, Dublin 24, Ireland. Telephone: (01) 419 8800 Fax: (01) 419 8890 International code: (003531)

Country of origin: United Kingdom - Japan - Thailand - Malaysia. ©Mitsubishi Electric Europe 2020. Mitsubishi and Mitsubishi Electric are trademarks of Mitsubishi Electric Europe B.V. The company reserves the right to make any variation in technical specification to the equipment described, or to withdraw or replace products without prior notification or public announcement. Mitsubishi Electric is constantly developing and improving its products. All descriptions, illustrations, drawings and specifications in this publication present only general particulars and shall not form part of any contract. All goods are supplied subject to the Company's General Conditions of Sale, a copy of which is available on request. Third-party product and brand names may be trademarks or registered trademarks of their respective owners.

Note: The fuse rating is for guidance only. Please refer to the relevant databook for detailed specification. It is the responsibility of a qualified electrician/electrical engineer to select the correct cable size and fuse rating based on current regulation and site specific conditions. Mitsubishi Electric's air conditioning equipment and heat pump systems contain a fluorinated greenhouse gas, R410A (GWP:2088), R32 (GWP:675), R407C (GWP:1774), R134a (GWP:1430), R513a (GWP:631), R454B (GWP:466), R1234ze (GWP:7) or R1234yf (GWP:4). \*These GWP values are based on Regulation (EU) No 517/2014 from IPCC 4th edition. In case of Regulation (EU) No.626/2011 from IPCC 3rd edition, these are as follows. R410A (GWP:1975), R32 (GWP:550), R407C (GWP:1650) or R134a (GWP:1300).

Effective as of May 2020

