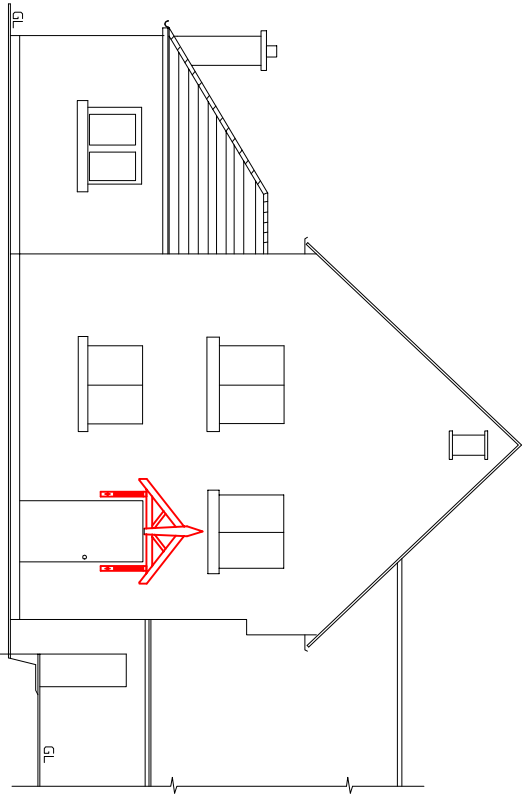
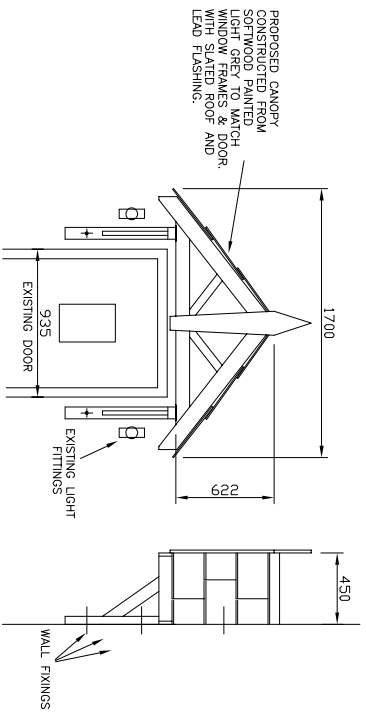


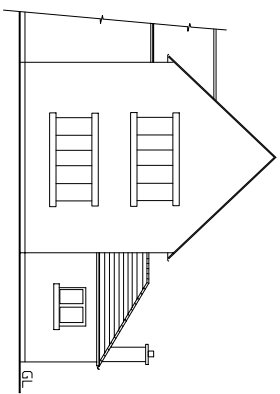
EXISTING FRONT ELEVATION SCALE 1:50



PROPOSED FRONT ELEVATION SCALE 1:50



PROPOSED CANOPY



REAR ELEVATION SCALE 1:100

PROPOSED DOOR CANOPY TO FRONT ELEVATION AT:-  
 TAN PITTS FARM - NEW ROAD - ANDERTON - CHORLEY - PR6 9HG

DRAWN:- GS

DATE:- 3-12-2023

DRAWING NO.