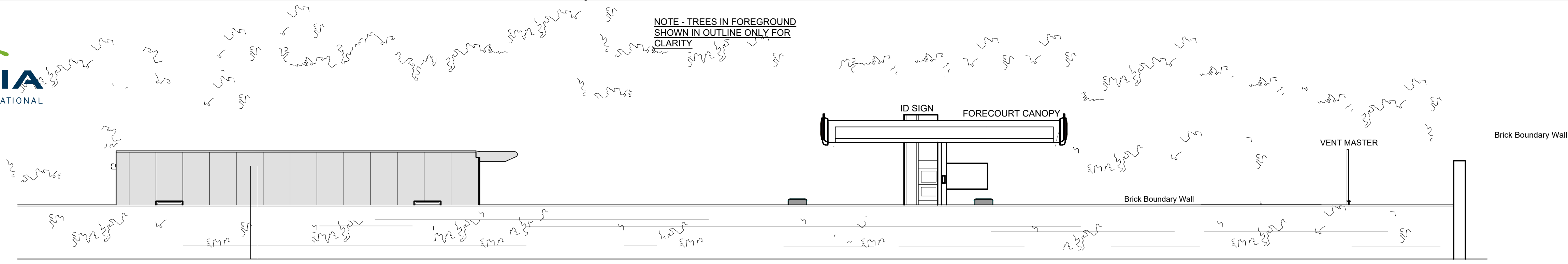


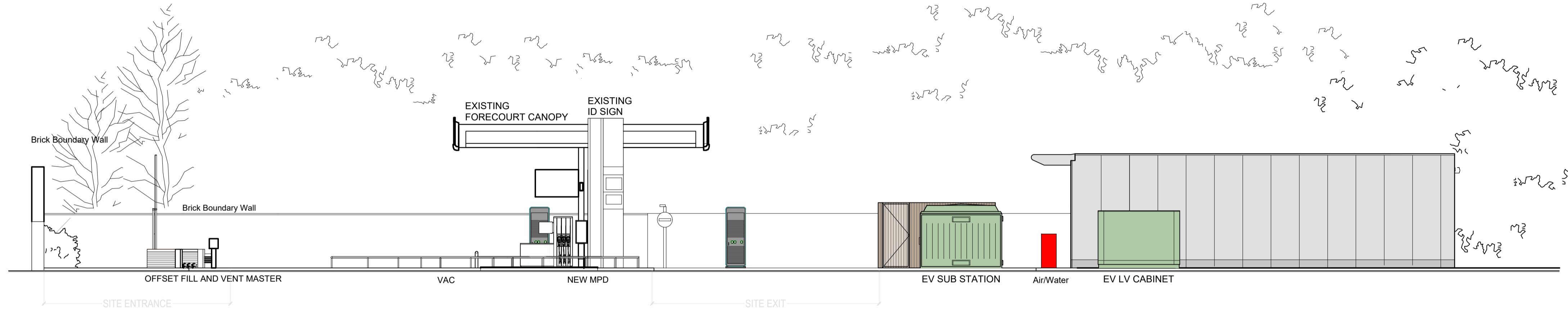
NOTE - TREES IN FOREGROUND SHOWN IN OUTLINE ONLY FOR CLARITY



GENERAL NOTES

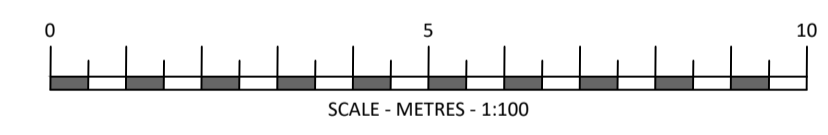
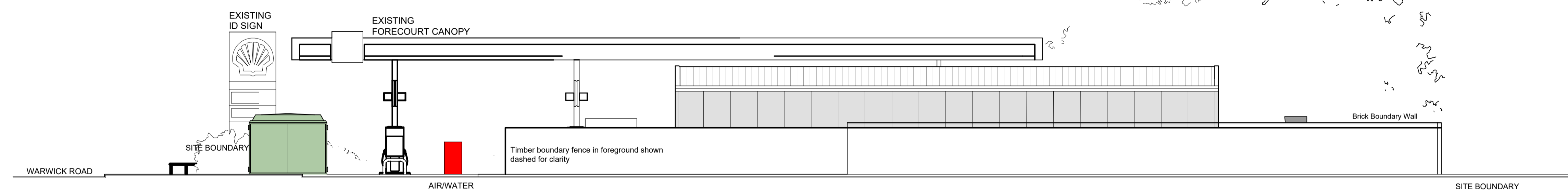
- THIS DRAWING HAS BEEN PREPARED FOR PLANNING PURPOSES ONLY.
- THIS DRAWING IS TO BE READ IN CONJUNCTION WITH THE FOLLOWING:
- SOLIHULL - 100119130 - PLNG - 00 2023 - Site Location Plan
- SOLIHULL - 100119130 - PLNG - 01 2023 - Existing Site Plan
- SOLIHULL - 100119130 - PLNG - 02 2023 - Existing Site Elevations
- SOLIHULL - 100119130 - PLNG - 03 2023 - Proposed Site Plan
- SOLIHULL - 100119130 - PLNG - 04 2023 - Proposed Site Elevations
- SOLIHULL - 100119130 - PLNG - 05 2023 - Proposed Building Elevations
- SOLIHULL - 100119130 - PLNG - 06 2023 - EV Equipment
- SOLIHULL - 100119130 - PLNG - 07 2023 - EV Canopy
- SOLIHULL - 100119130 - PLNG - 08 2023 - Tracking Plan

PROPOSED SOUTH WEST ELEVATION

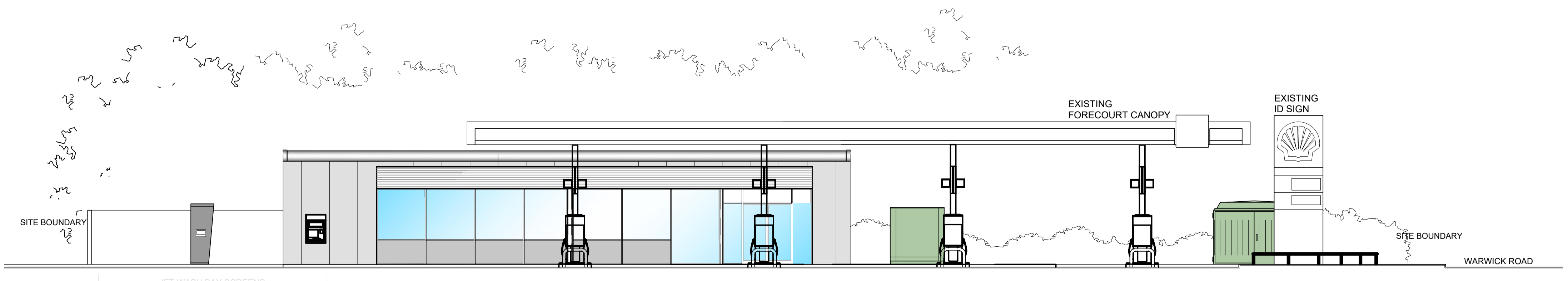


PROPOSED NORTH EAST ELEVATION (TO WARWICK ROAD)

NOTE - TREES IN FOREGROUND SHOWN IN OUTLINE ONLY FOR CLARITY



PROPOSED NORTH WEST ELEVATION (TO WADLEY ROAD)



PROPOSED SOUTH EAST ELEVATION (TO FORECOURT)

REV	DATE	DESCRIPTION	BY
A	17/11/23	EV Charging bays updated. EV Canopy removed	CJW

PLANNING

8 Feast Field, Horsforth, Leeds, West Yorkshire, LS18 4TJ
www.jennings-design.com 01274 395422 office@jennings-design.com

PROJECT: SHELL SOLIHULL
WARWICK ROAD, SOLIHULL
WEST MIDLANDS, B91 1BB

TITLE: PROPOSED SITE ELEVATIONS

SHELL UK LIMITED
SHELL CENTRE
LONDON
SE1 7NA
UNITED KINGDOM

DRAWN BY:	CIW	SCALE:	1:100 @ A1
DATE:	March 2023	PLOT DATE:	March 2023
CAD FILE:	E:\ARCHIVE\DRAWINGS\		

DWG No:	10019130	004	2023	(A)
---------	----------	-----	------	-----