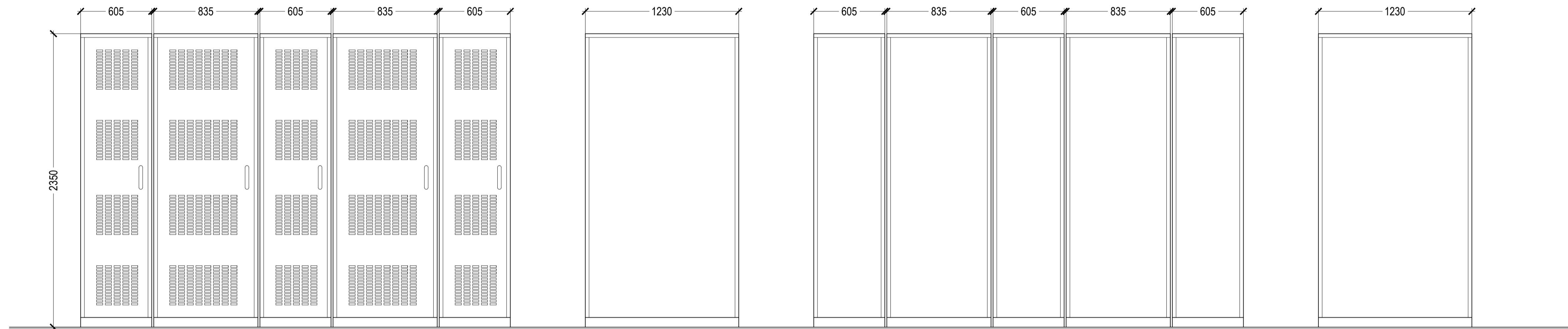


SIDE ELEVATION FRONT ELEVATION
CHARGING UNIT - Scale 1:25

SUB-STATION ELEVATIONS
 (External finish Green) - Scale 1:25



Comms cabinet, Power cabinet, transformer, power cabinet, transformer

Transformer, power cabinet, transformer, power cabinet, Comms cabinet

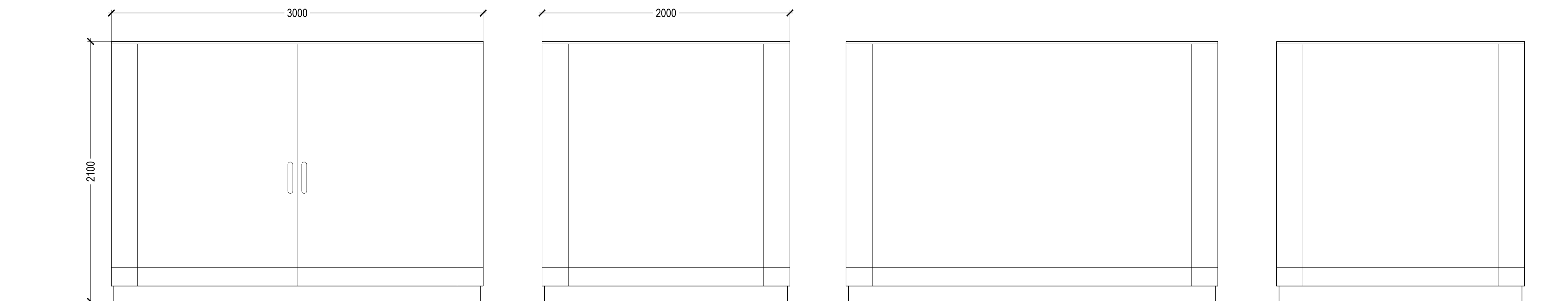
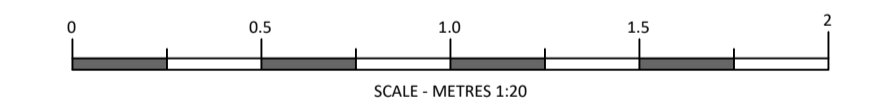
Front Elevation

Side Elevation

Rear Elevation

Side Elevation

TYPICAL EQUIPMENT MODULE UNIT ELEVATIONS - Scale 1:25



Front Elevation

Side Elevation

Rear Elevation

Side Elevation

TYPICAL MAINS GRP CABINET ELEVATIONS - Scale 1:25

REV	DATE	BY
PLANNING		
<small>8 Feast Field, Horsforth, Leeds, West Yorkshire, LS18 4TJ www.jennings-design.com 01274 395422 office@jennings-design.com</small>		
PROJECT: SHELL SOLIHULL WARWICK ROAD, SOLIHULL WEST MIDLANDS, B91 1BB		
TITLE: EV EQUIPMENT		
SHELL UK LIMITED SHELL CENTRE LONDON SE1 7NA UNITED KINGDOM		
DRAWN BY:	CWJ	SCALE: 1:20 @ A1
DATE:	March 2023	PLOT DATE: March 2023
CAD FILE:	E:\ARCHIVE\DRAWINGS\	
DWG No:	10019130	006 2023 -