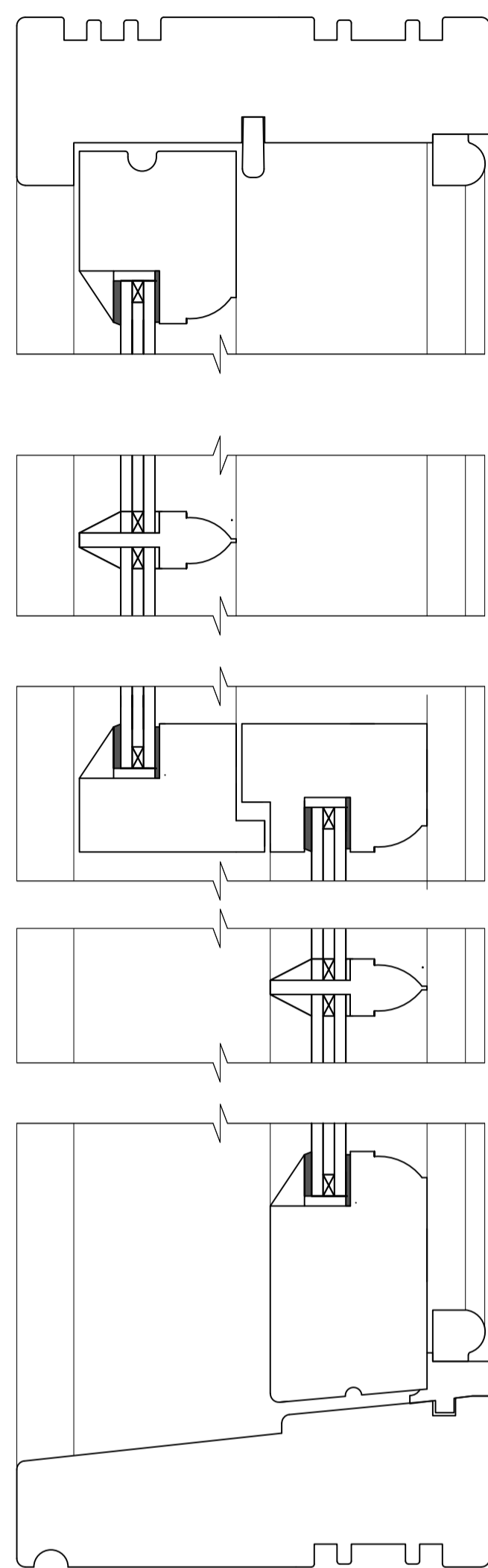
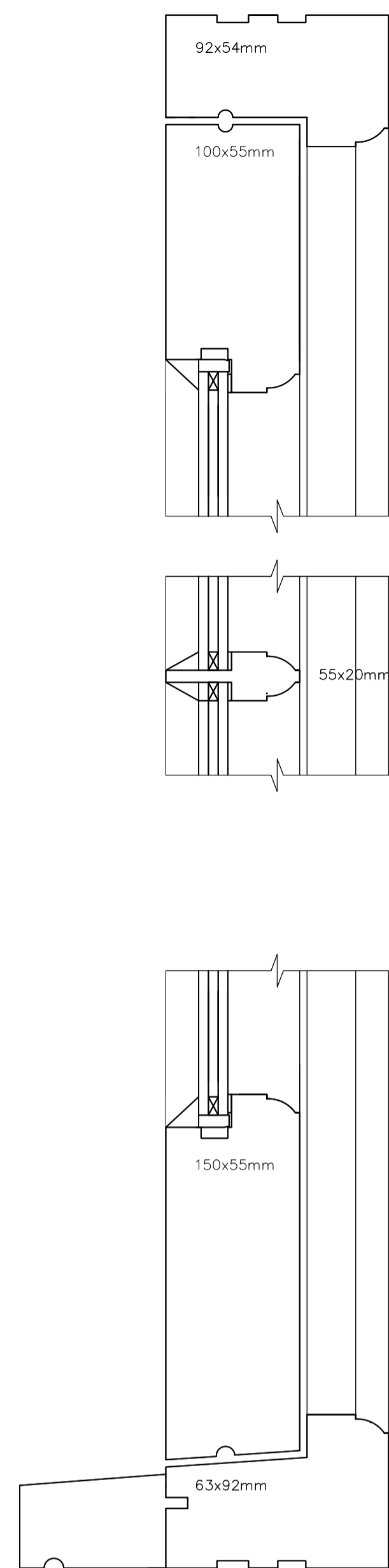


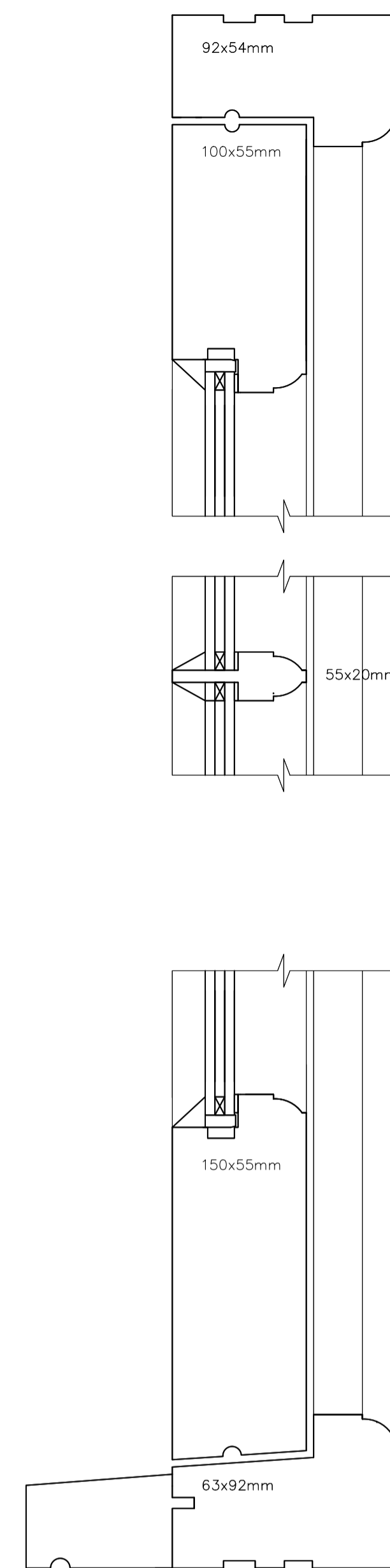
Vertical Section
Casement Windows
1:2



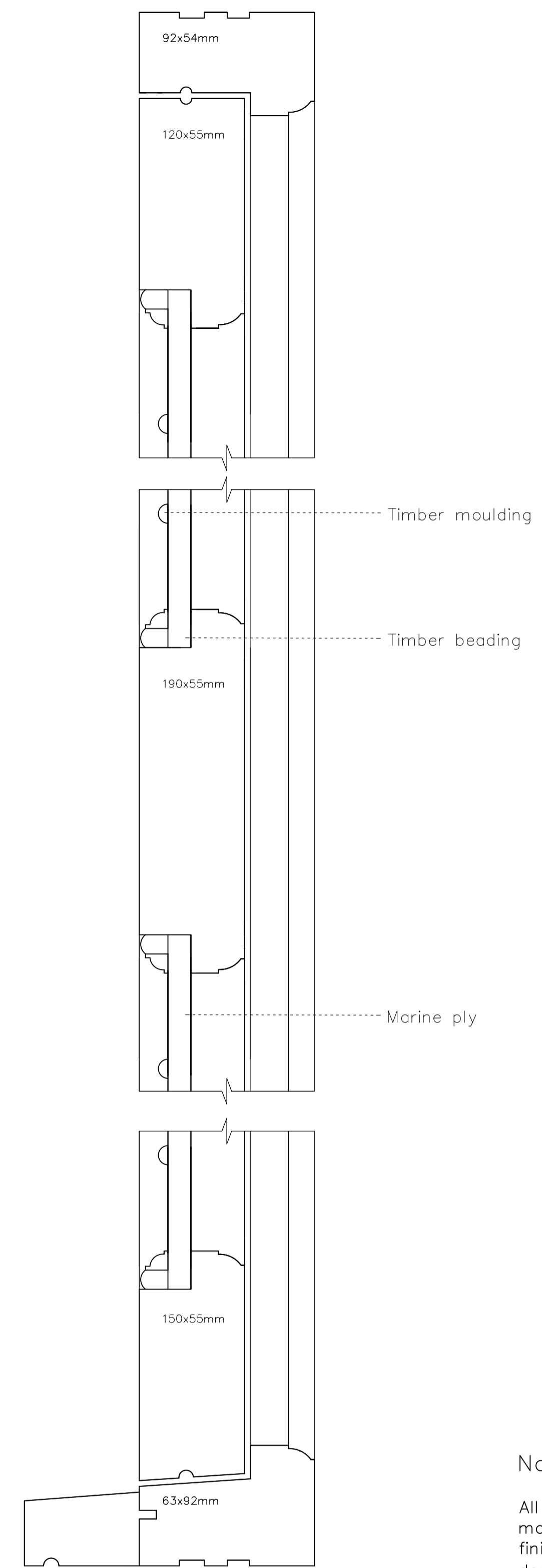
Vertical Section
Sliding sash
1:2



Vertical Section
Glazed Doors
1:2



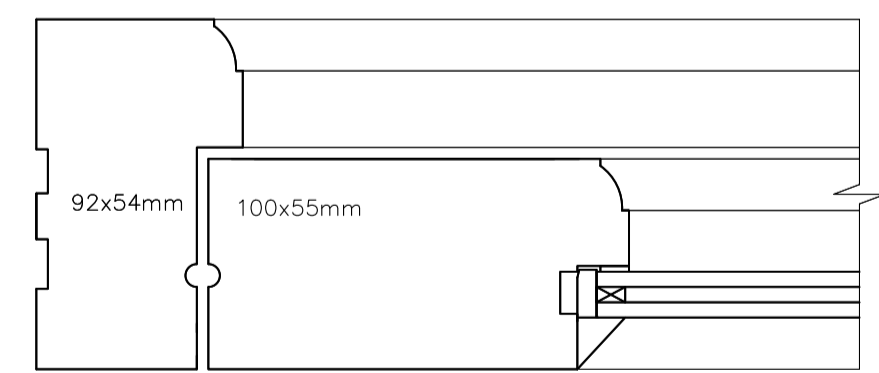
Vertical Section
Glazed Doors
1:2



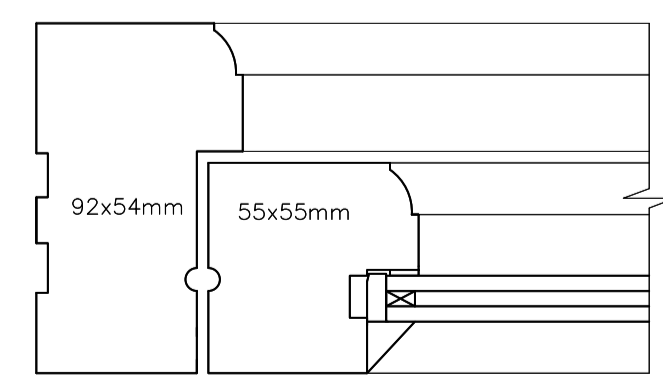
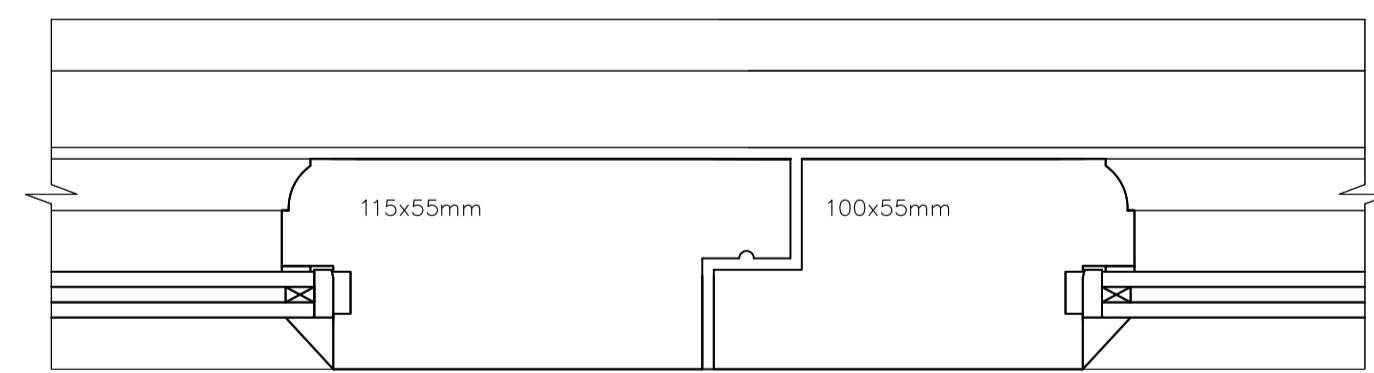
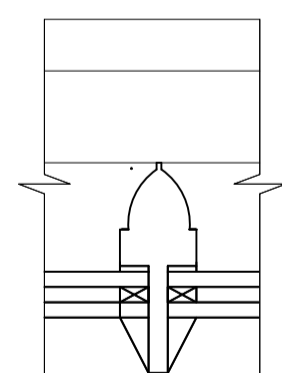
Vertical Section
Front Door
1:2

Note

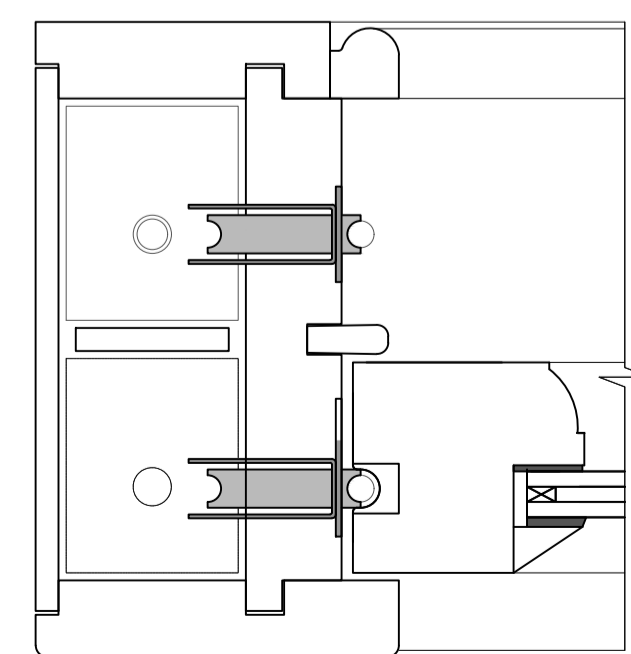
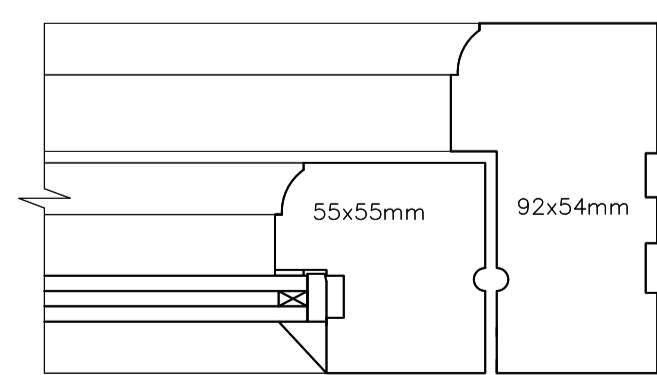
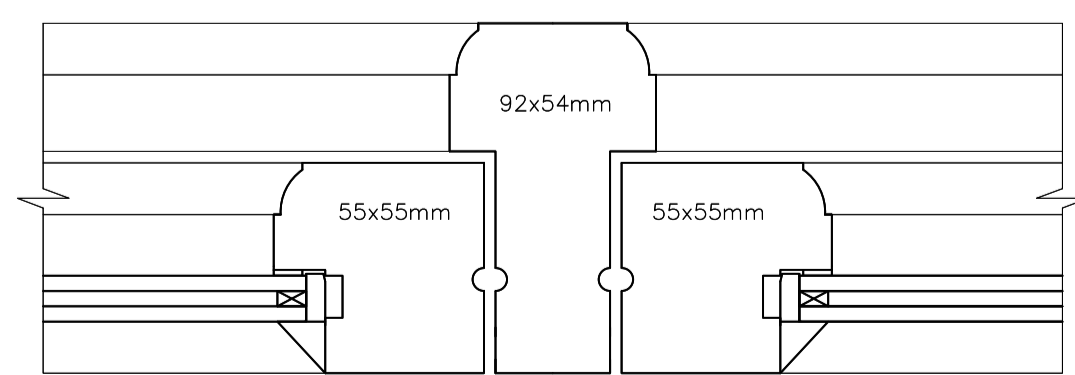
All new windows to be purpose made timber windows with painted finish and incorporating slim-profile double glazing (4:4:4)



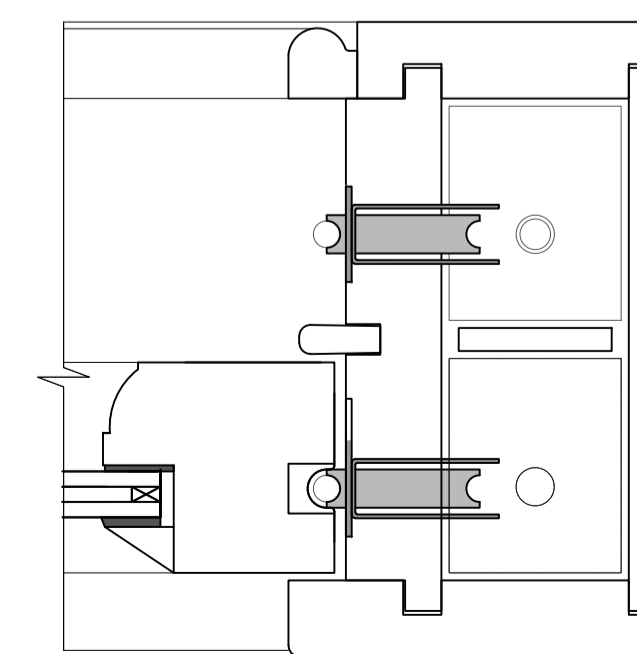
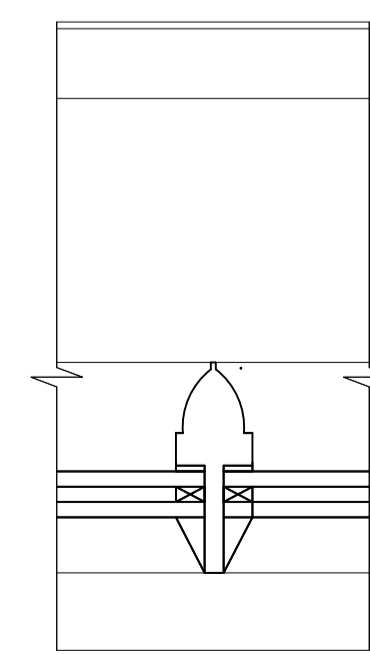
Horizontal Section
Glazed doors
1:2



Horizontal Section
Casement Windows
1:2



Horizontal Section
Sliding sash
1:2



CLIENT	MRS J TYLER	
LOCATION	BELLDOWN, OLD LONDON ROAD COPDOCK, SUFFOLK IP8 3JD	
JOB DESCRIPTION	VARIOUS REPAIRS AND IMPROVEMENTS	
TITLE	JOINERY	
DATE	DECEMBER 2023	DRAWING NO.
SCALE	1:2 @ A1	.03
JOB	TIM MOLL ARCHITECTURE 36 THE ROYAL HOSPITAL SCHOOL, HOLBROOK, SUFFOLK IP9 2RT M. 07818087280 E. tim@timmoll.com	
1615		