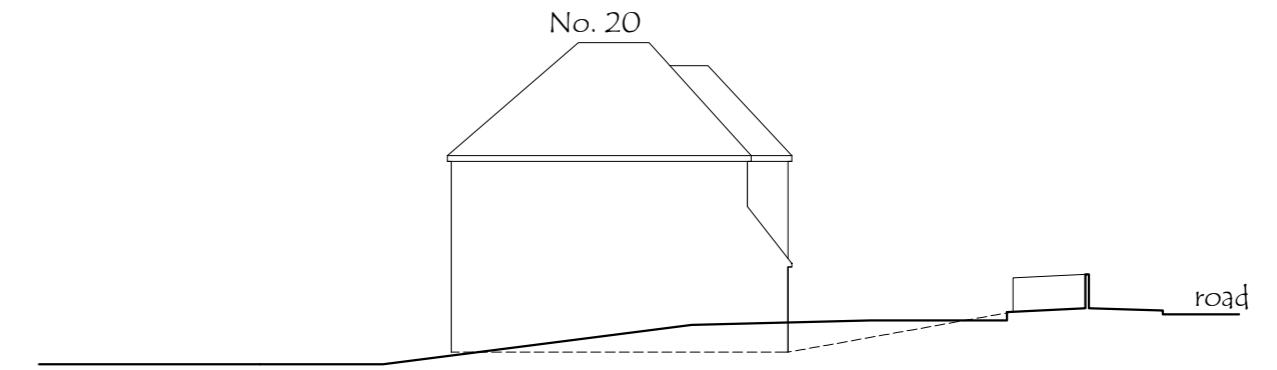
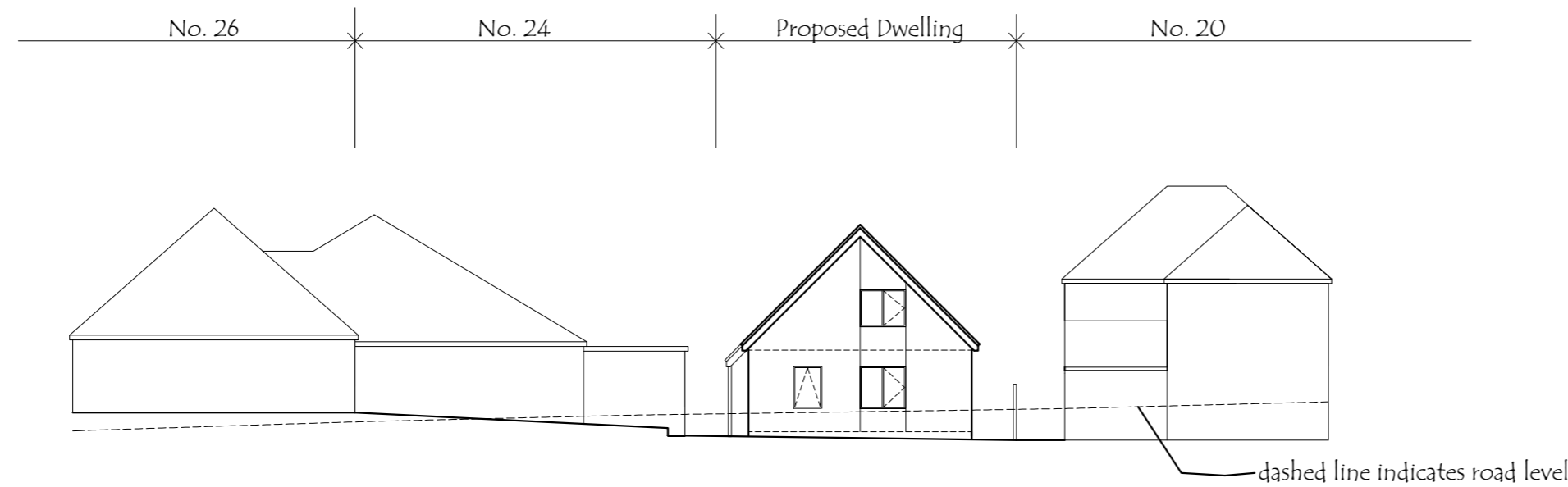


datum 90.00metres

Existing Site Section

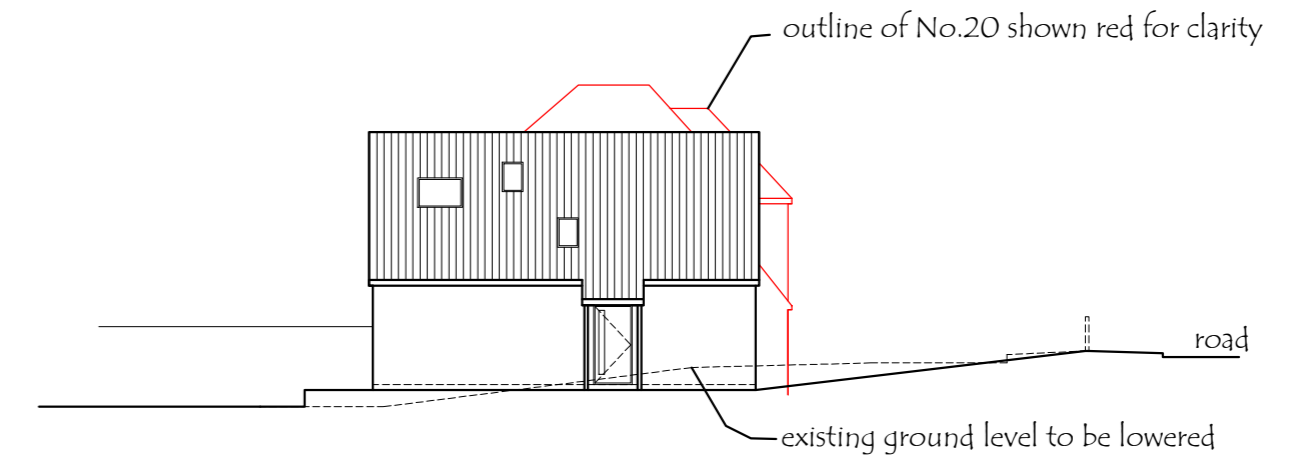


Existing Site Section



datum 90.00metres

Proposed Site Section



Proposed Site Section



 Matthew Hollands Associates Ltd. Yew Tree Farm, 48 Venus Street, Congresbury, Somerset. BS49 5EZ. t. 07808 249410 e. mha.architecture@btinternet.com	Project: Proposed Dwelling at 24 Worlebury Park Road, Weston Super Mare	Scale: 1:200@A2
	Title: Existing & Proposed Site Sections	Drawn: MH
	Dwg No: 2334 / 03	Date: Oct 2023