

**Specification**

Aluminium 6063-T6 alloy to BS EN 755-9 standard, powder coated to BS 6496 to 60 - 80 micron finish.

Aluminium Finish: White - RAL 9003 Satin.

Sub-Frame: Primed high quality with 2 coats, FSC Mix credit radiata pine clear grade, FSC mix credit TT-COC-002 157.

Timber Size: 25mm x 16mm.

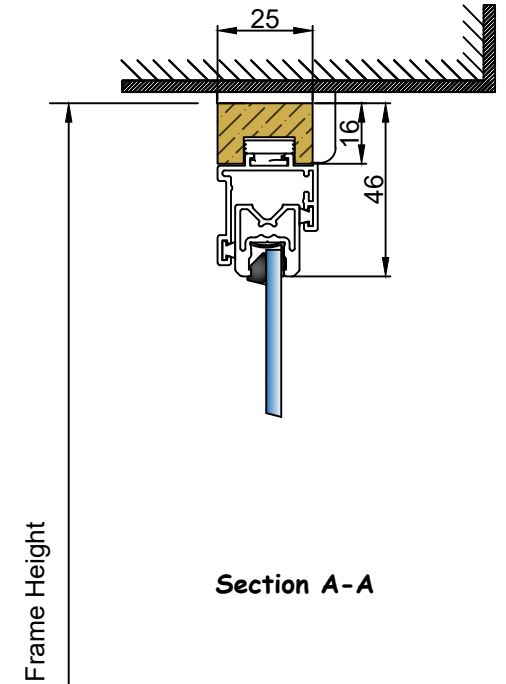
Glazing: All frames are factory glazed.

Gasket colour: White.

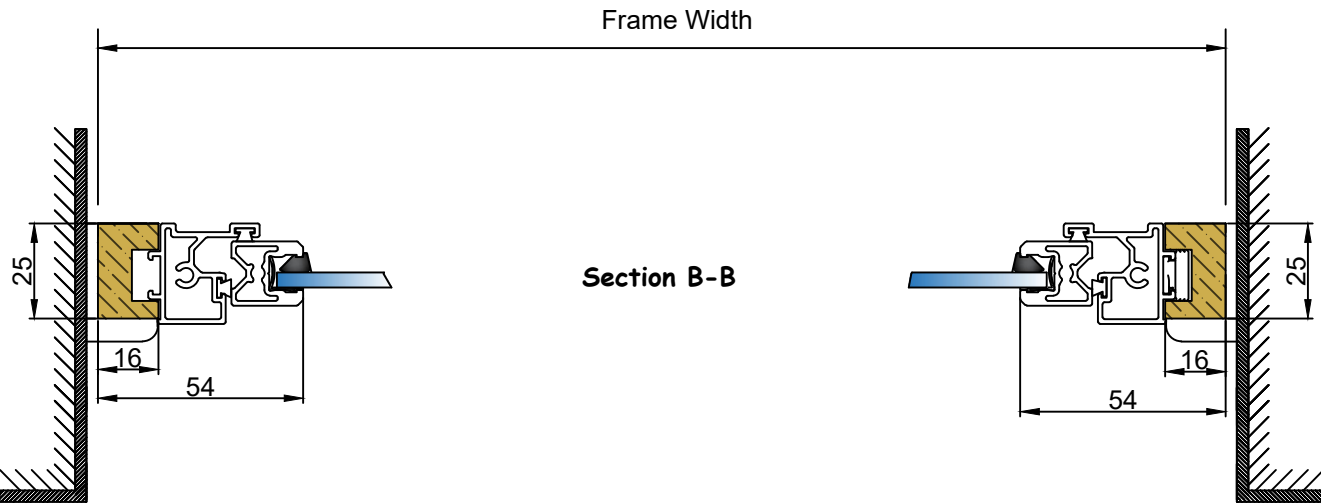
Trim: 27mm uPVC Single Bullnosed White.

Ironmongery: Locking option as an extra  
Full perimeter handles as an extra.

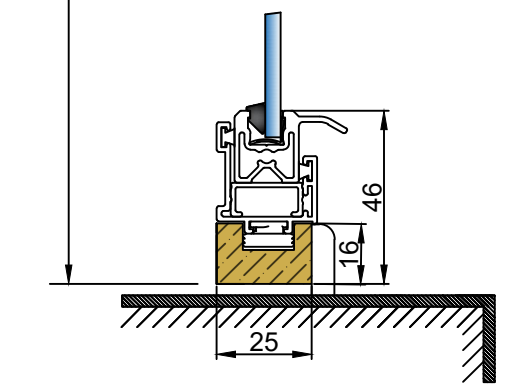
In line with our company policy of continuous product development and improvement, Granada reserves the right to make minor alterations to specification without notice.




**Section A-A**



**Section B-B**



PROJECT: Standard Details	GSG_001 DRAWING NO.	- PROJECT NO.	07/07/21 DATE.	 <p>Campbell Way Dinnington Sheffield S25 3QD</p> <p>Tel: 01909 499 899 W: www.granadaglazing.com</p>
TITLE: LO Lift out, Reveal Fix, up to 6.8mm glass	NTS DRAWN.	AB DRAWN.	RH CHECKED.	