

**Specification**

Aluminium 6063-T6 alloy to BS EN 755-9 standard, powder coated to BS 6496 to 60 - 80 micron finish.

Aluminium Finish: White - RAL 9003 Satin.

Sub-Frame: Primed high quality with 2 coats, FSC Mix credit radiata pine clear grade, FSC mix credit TT-COC-002 157.

Timber Size: 62mm x 16mm.

Glazing: All frames are factory glazed.

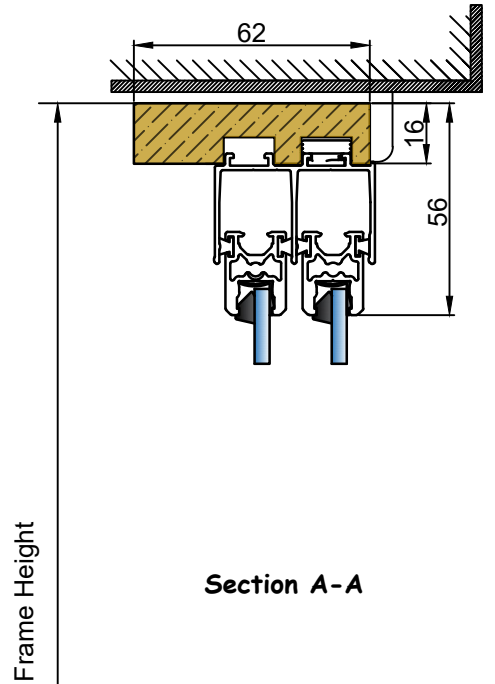
Gasket colour: White.

Trim: 27mm uPVC Single Bullnosed White.

Ironmongery: Integrated button included.  
Locking button as a extra option.

Reverse option also available

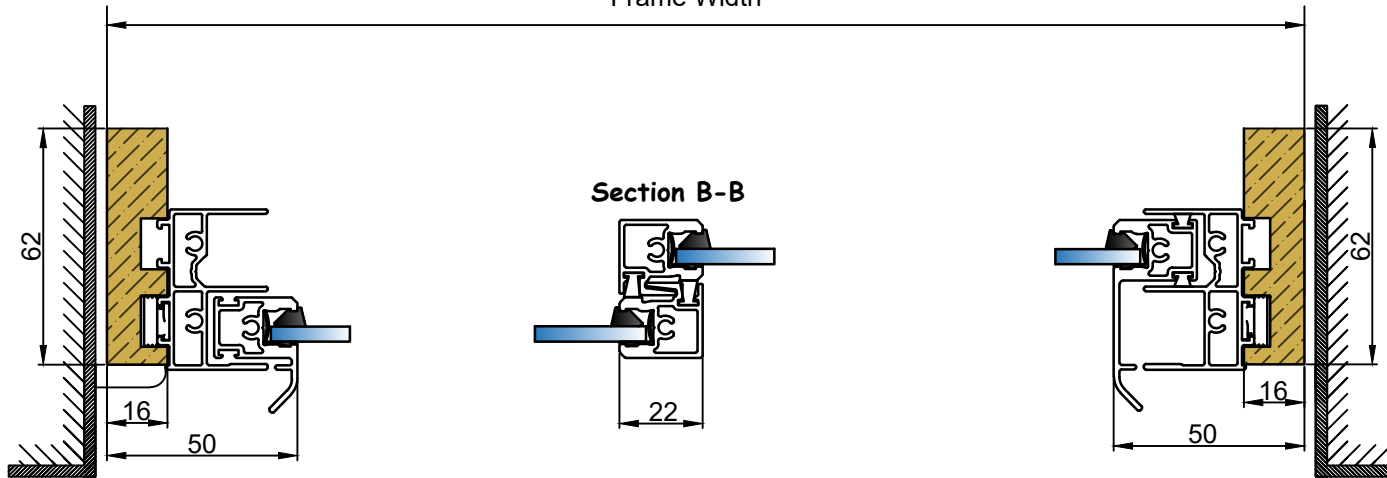
In line with our company policy of continuous product development and improvement, Granada reserves the right to make minor alterations to specification without notice.



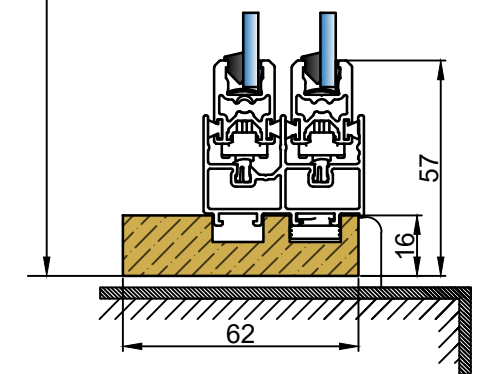
**Section A-A**


Frame Height

Frame Width



**Section B-B**



PROJECT: Standard Details	GSG_001 DRAWING NO.	- PROJECT NO.	07/07/21 DATE.	 <p>Campbell Way Dinnington Sheffield S25 3QD</p> <p>Tel: 01909 499 899 W: www.grnadaglazing.com</p>
TITLE: HS2, Horizontal slider-2 pane, Reveal Fix, up to 6.8mm glass	NTS DRAWN.	AB CHECKED.	RH REVISION.	