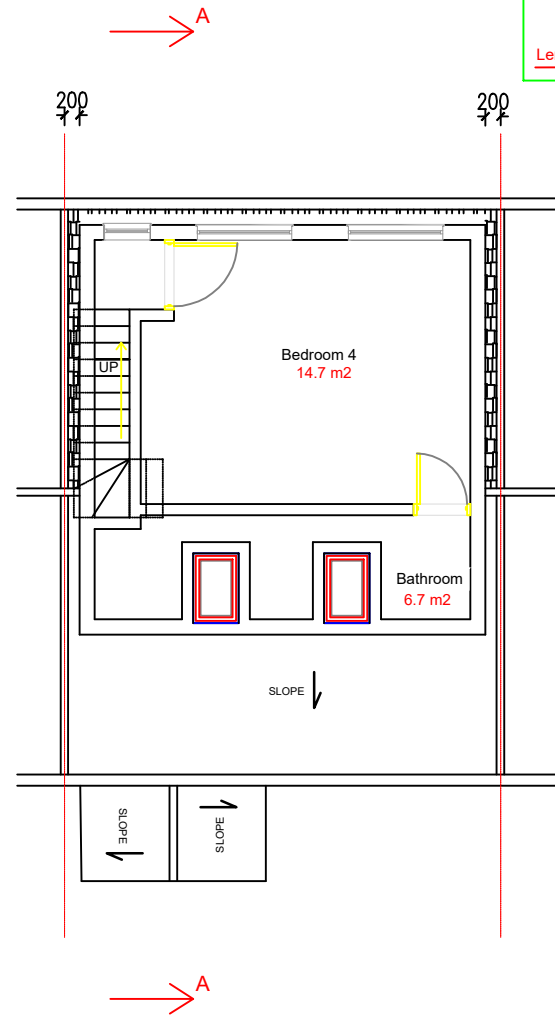
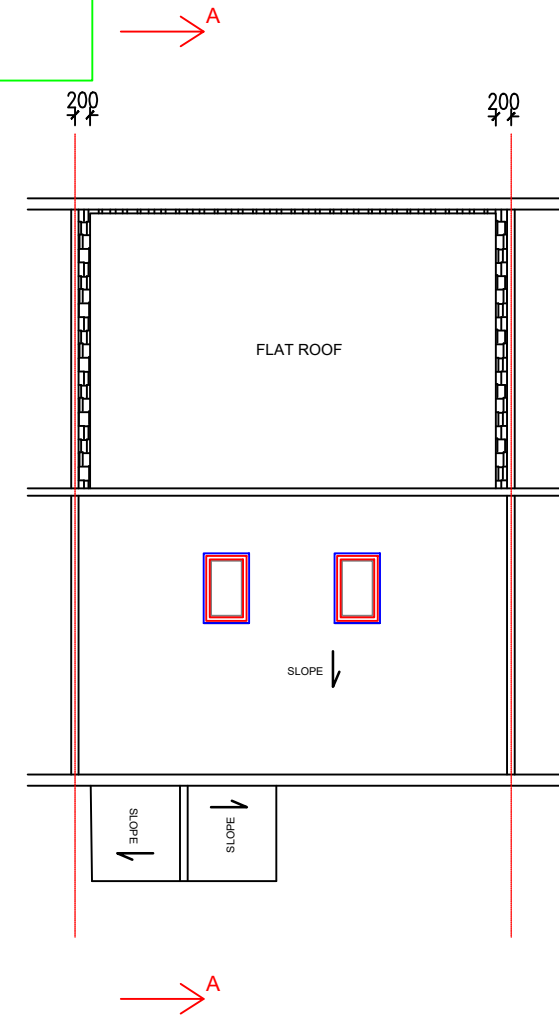
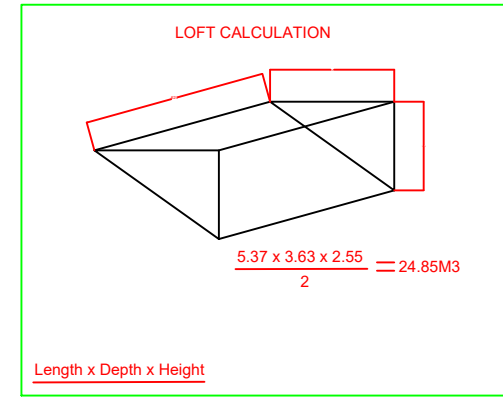


PROPOSED FIRST FLOOR PLAN



PROPOSED LOFT FLOOR PLAN

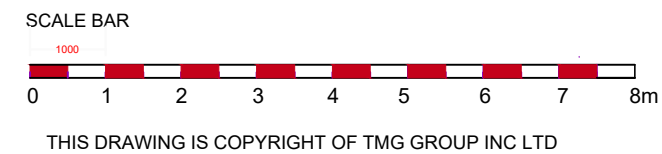


PROPOSED ROOF PLAN



TMG CONSULTANCIES  
 ADDRESS: 9 Hazlewood Close, Hackney,  
 London, E5 0SW  
 INFO@TMGCONSULTANCIES.CO.UK  
 TEL : 07716178378

PROJECT: 69 SilkStream Road Watford HA8 0DD		DATE ISSUED: 27/11/2023	
DWG TITLE : Proposed First Floor, Loft Floor And Roof Plan			
STAGE : PL	DRAWN BY : T.G	REFERENCE NO: 20231132	SCALE : A3 1:100
			CODE: PL04 A



NOTES: THE CONTRACTORS ARE TO CHECK ALL DIMENSIONS, DRAIN RUNS AND GENERAL CONDITIONS ON SITE BEFORE WORKS COMMENCE, AND INFORM TMG GROUP INC LTD TRADING AS TMG CONSULTANCIES IMMEDIATELY UPON DISCOVERY OF ANY ERRORS, OMISSIONS OR DISCREPANCIES. ALL WORKS ARE TO BE CARRIED OUT IN ACCORDANCE WITH CURRENT BUILDING REGULATIONS, BRITISH STANDARDS, CODE OF PRACTICE AND LOCAL AUTHORITY REQUIREMENTS.