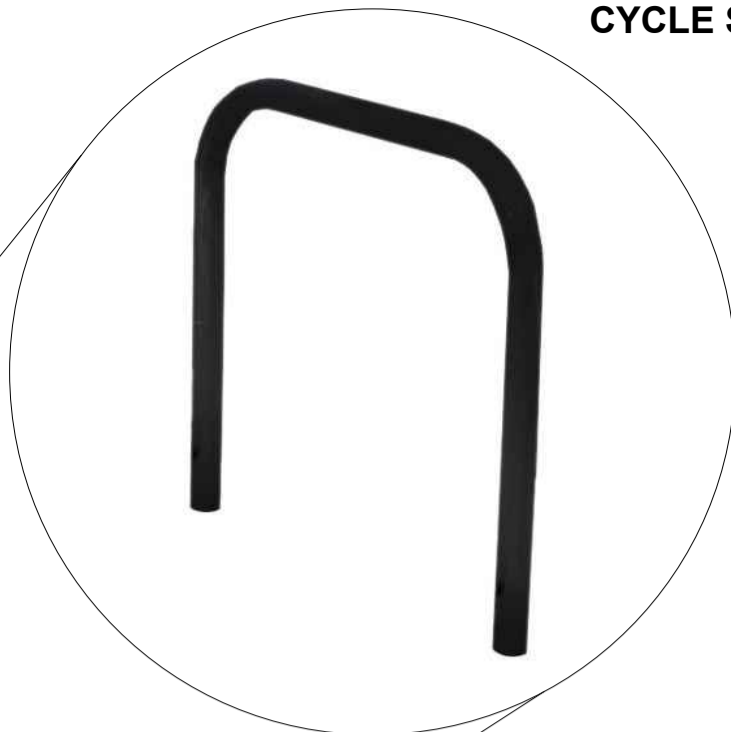
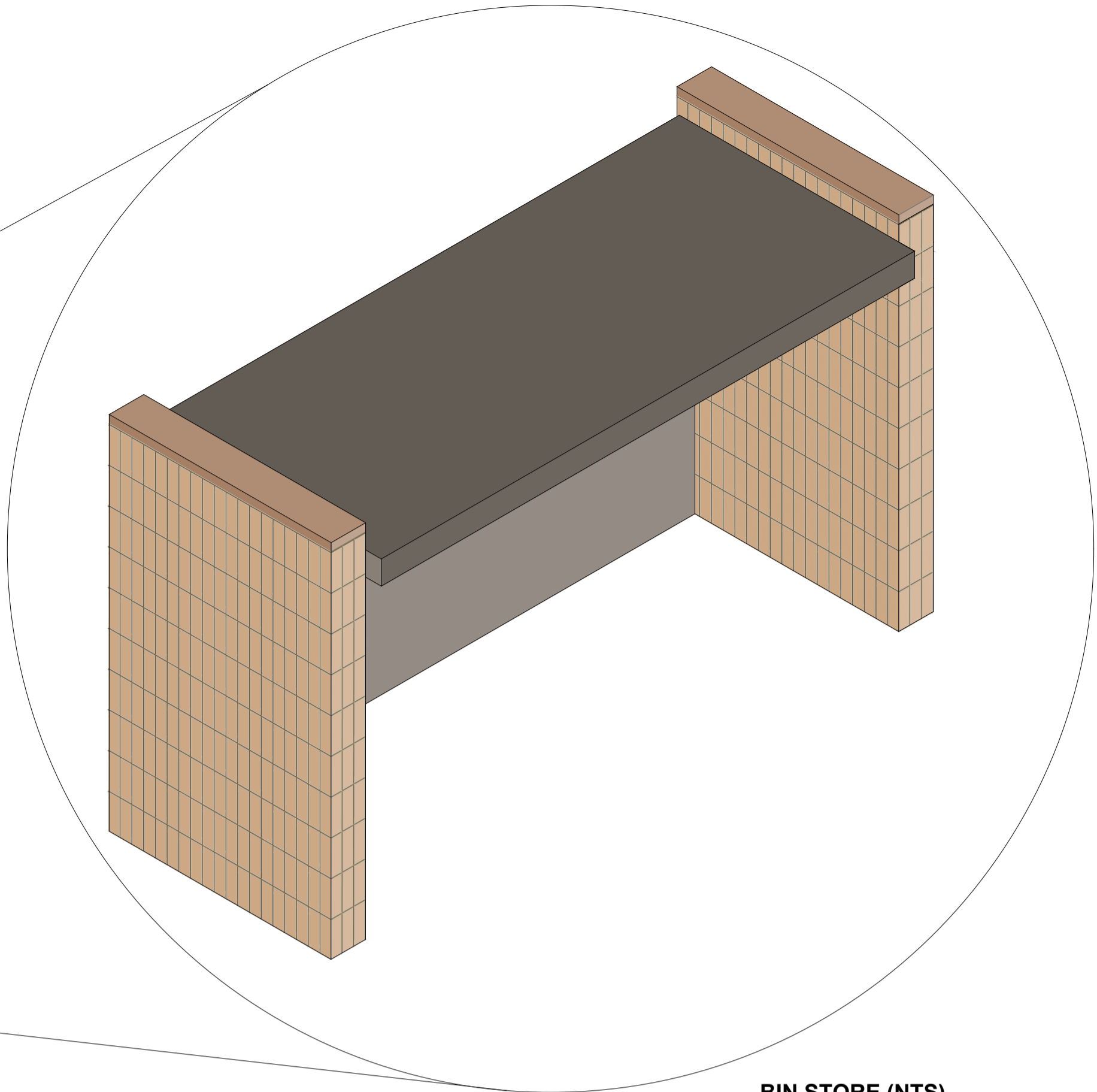


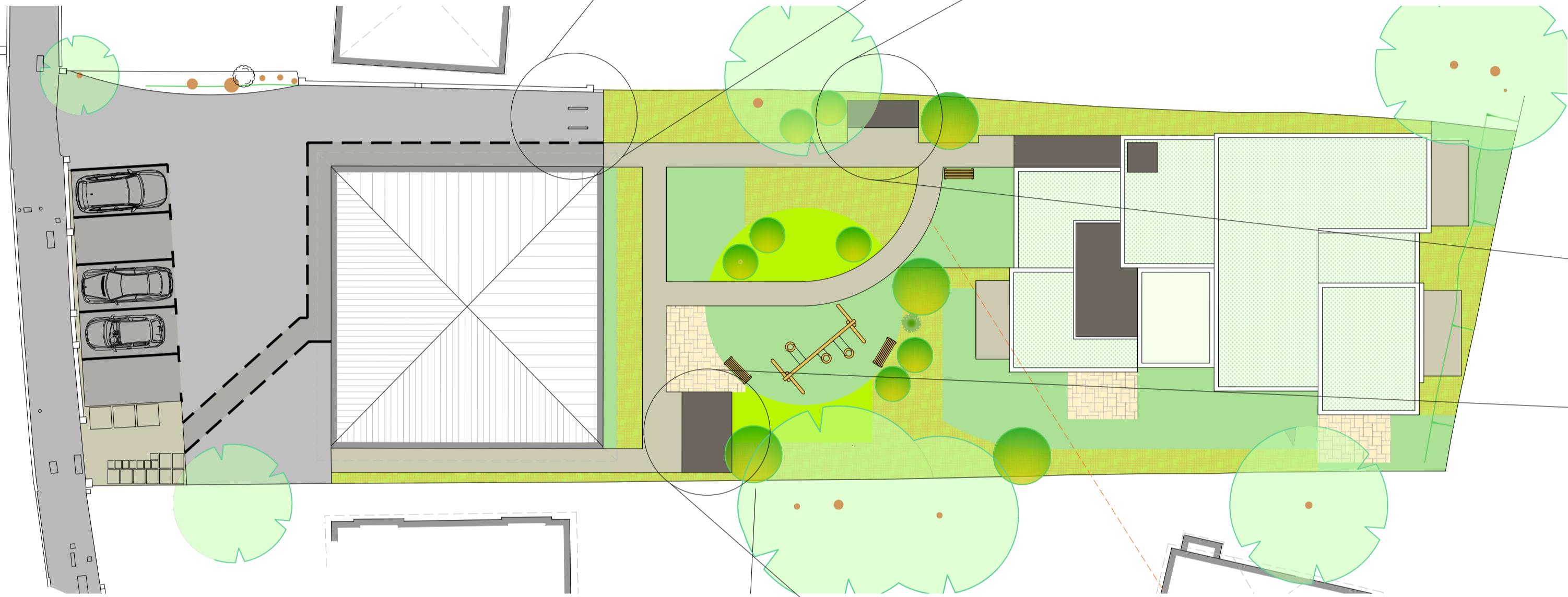
BIN STORE PLAN (1:20)



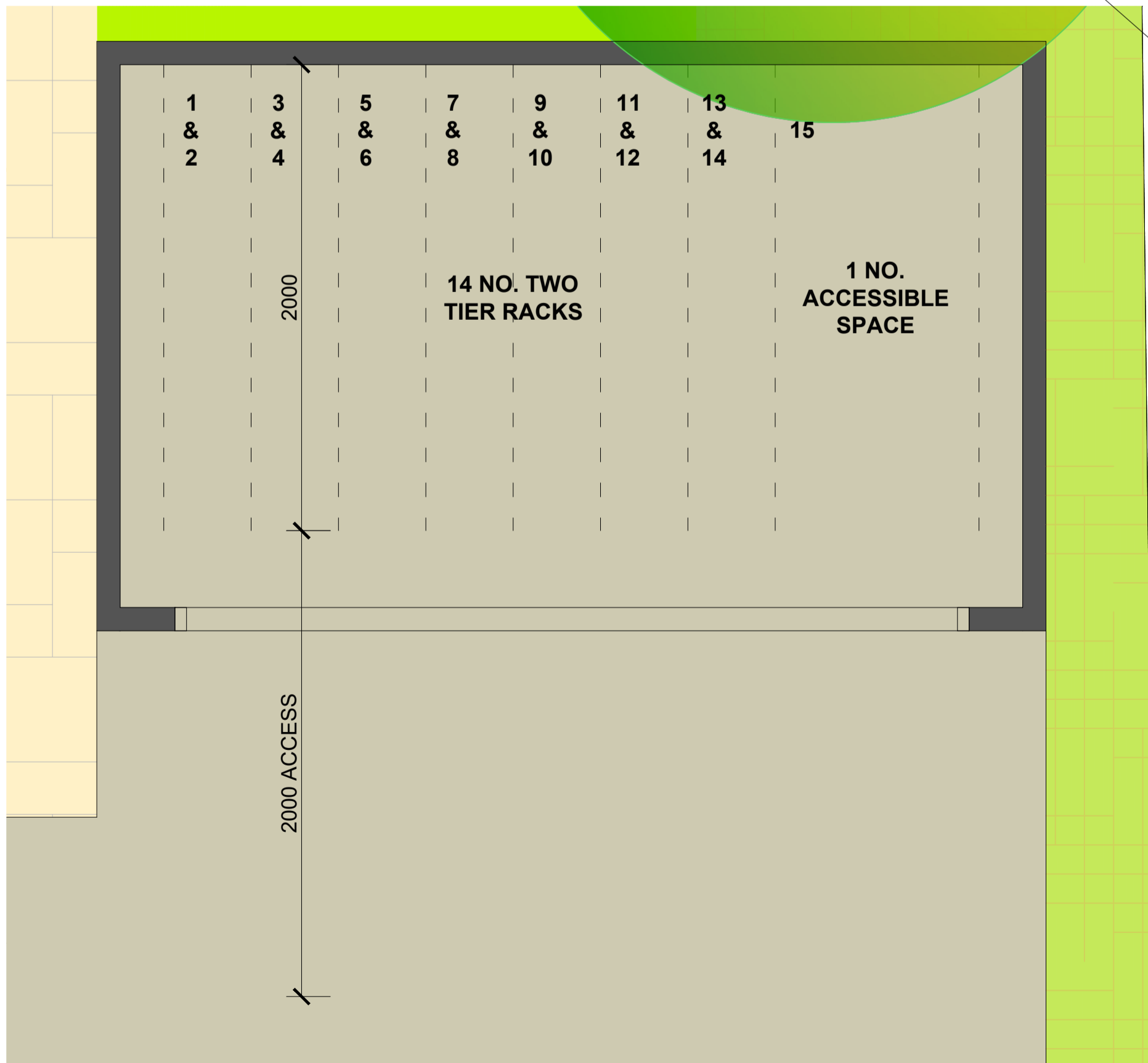
CYCLE SHEFFIELD STANDS



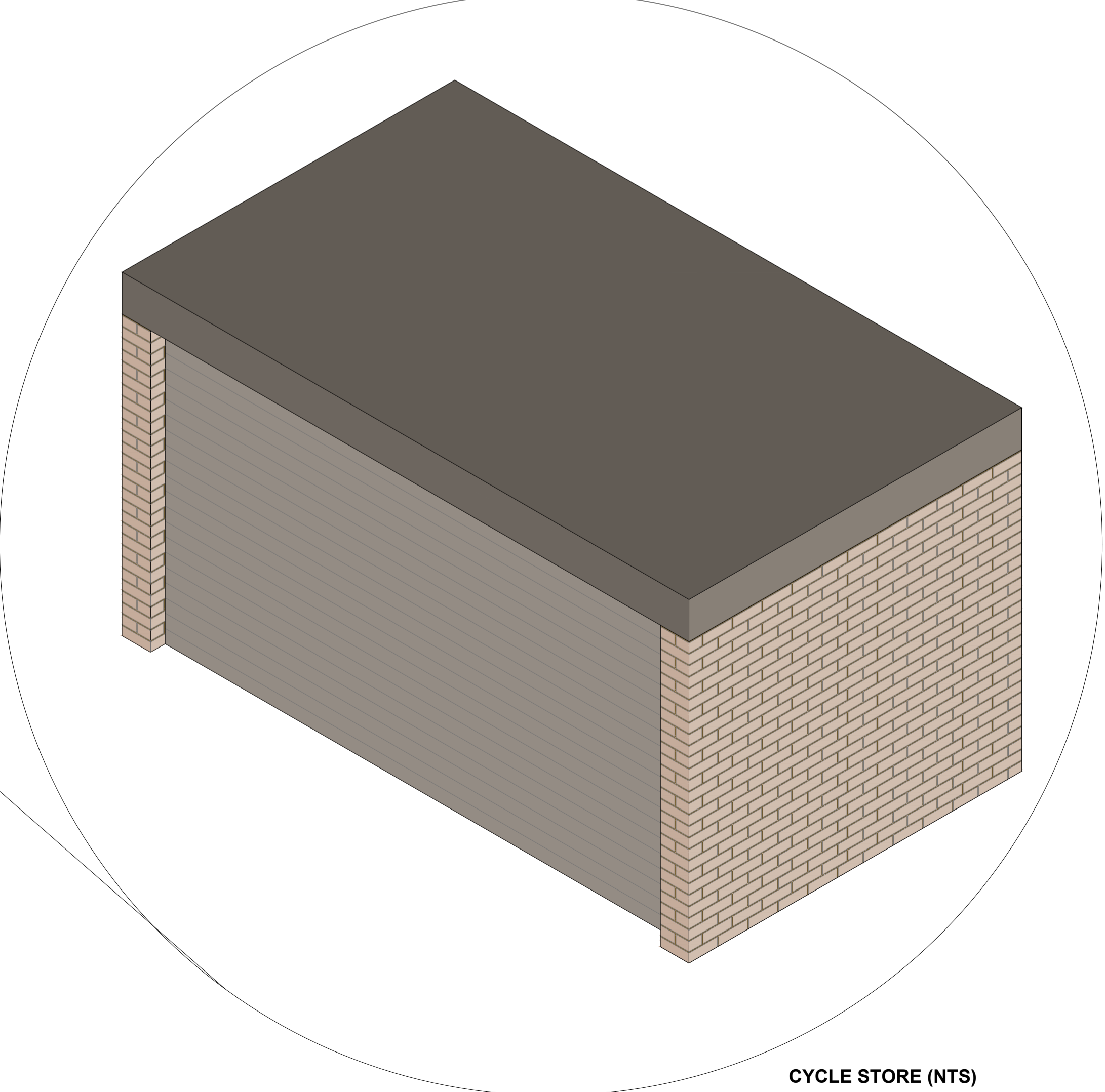
BIN STORE (NTS)



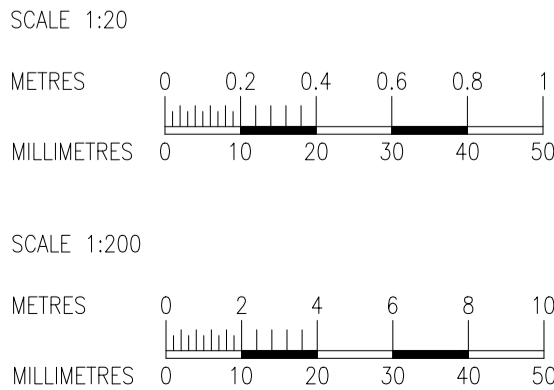
SITE PLAN (1:200)



CYCLE STORE PLAN (1:20)



CYCLE STORE (NTS)



ALL DIMENSIONS, LEVELS AND CLEARANCES TO BE CHECKED ON SITE PRIOR TO WORKS COMMENCING
THIS DRAWING SHOULD BE READ IN CONJUNCTION WITH ALL OTHER PROJECT RELATED DRAWINGS, SPECIFICATIONS AND DOCUMENTS AS PART OF A SINGLE PROJECT PACKAGE
ANY DISCREPANCY BETWEEN THIS DRAWING, OTHER DRAWINGS FORMING PART OF THIS CONTRACT, OR THE SPECIFICATION / BILLS OF QUANTITIES MUST BE CLARIFIED BEFORE COMMENCEMENT OF ANY WORK OR ORDERING OF ANY MATERIALS.
PLEASE CONSULT THE AUTHOR OR PROJECT MANAGER SHOULD THE READER REQUIRE CLARIFICATION ON ANY PART OF THIS DRAWING.
THE COPYRIGHT OF THE DRAWING AND DESIGN IS THE PROPERTY OF THE COMPANY. THIS INFORMATION HAS BEEN ISSUED UNDER SPECIFIC TERMS FOR THIS PROJECT AND MAY ONLY BE USED AND REPRODUCED ACCORDINGLY.

NOTES

Table with columns: Rev, Date, By, Chk, Appr, Comment

Table with columns: Q, 27/11/23, TG, DB, OM, Planning Issue

FRANKHAM logo and contact information for Frankham Consultancy Group Limited.

Client:

Project Title:
57 Warminster Rd
Croydon
SE25 4DF

Drawing Title:
Cycle and Refuse Storage

Status:
PLANNING ISSUE

Table with columns: Drawn By, Designed By, Checked By, Approved By

Table with columns: Original Issue Date, Scale @ A1

Table with columns: Job No, File Ref, Originator, Zone, Level, Type, Discipline, Number, Suitability, Revision