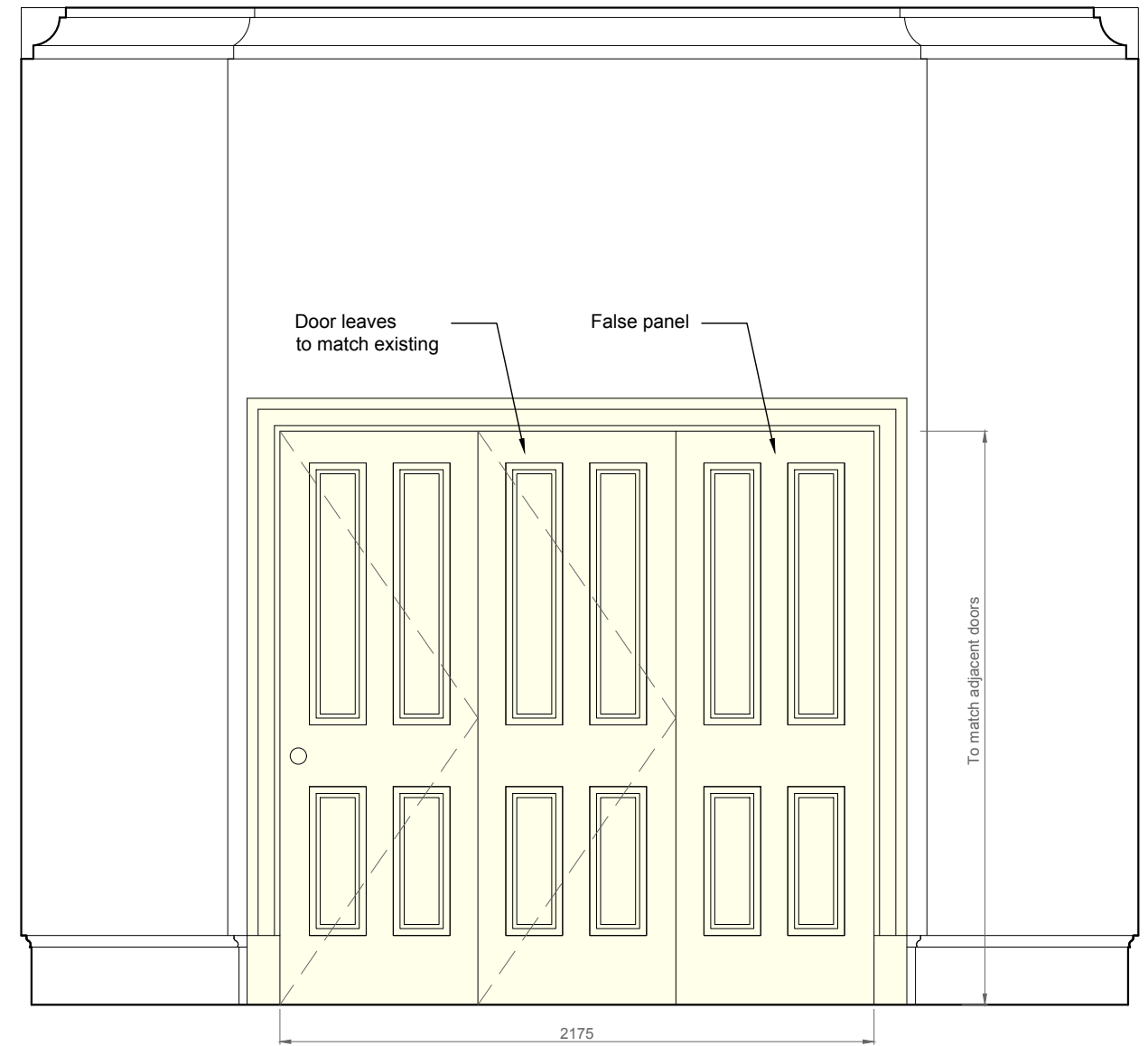
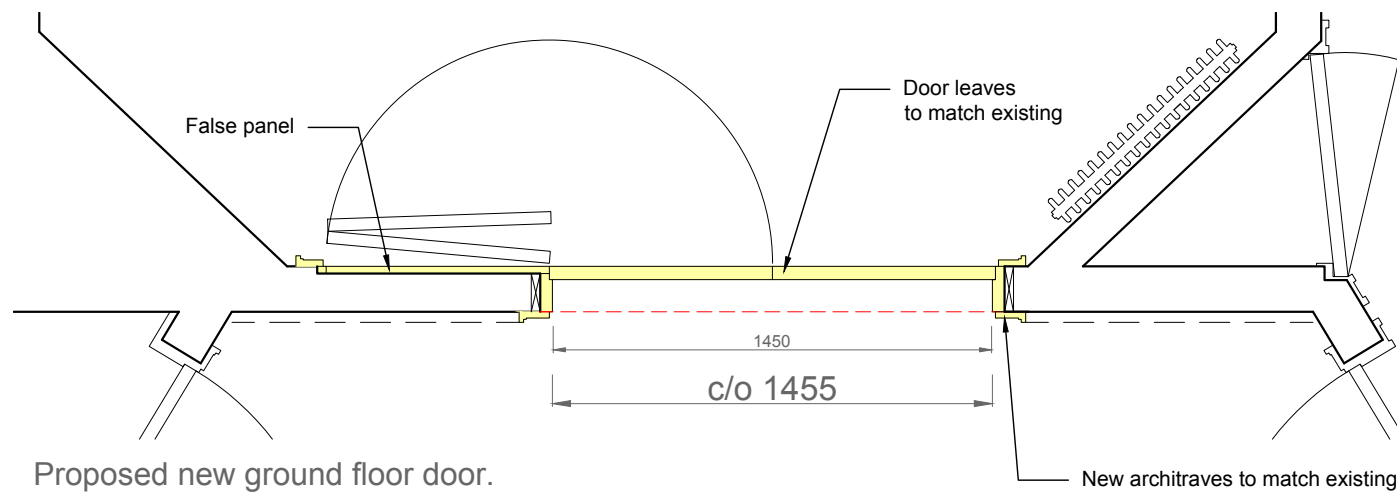




Proposed new ground floor door.
View from drawing room
scale 1:25



Proposed new ground floor door.
View from living room
scale 1:25



Proposed new ground floor door.
Floor plan
scale 1:25



1:25@a3

REV. DATE DETAILS BY

Listed Building Consent

META
architecture

40 CONSTITUTION ST. EDINBURGH EH6 6RS
0131 6297838 info@metaarchitecture.co.uk

30 Howard Place
Edinburgh

Proposed new door
Ground floor

BHP(PL)009

Revision: Drawn by: GN
Scale/format: 1:25 @A3 Date: 13.11.23

1. This drawing is intended for Listed Building Consent only.
2. Do not scale from drawing. Request from architect any further dimensions.

© META Architecture Ltd. All rights reserved