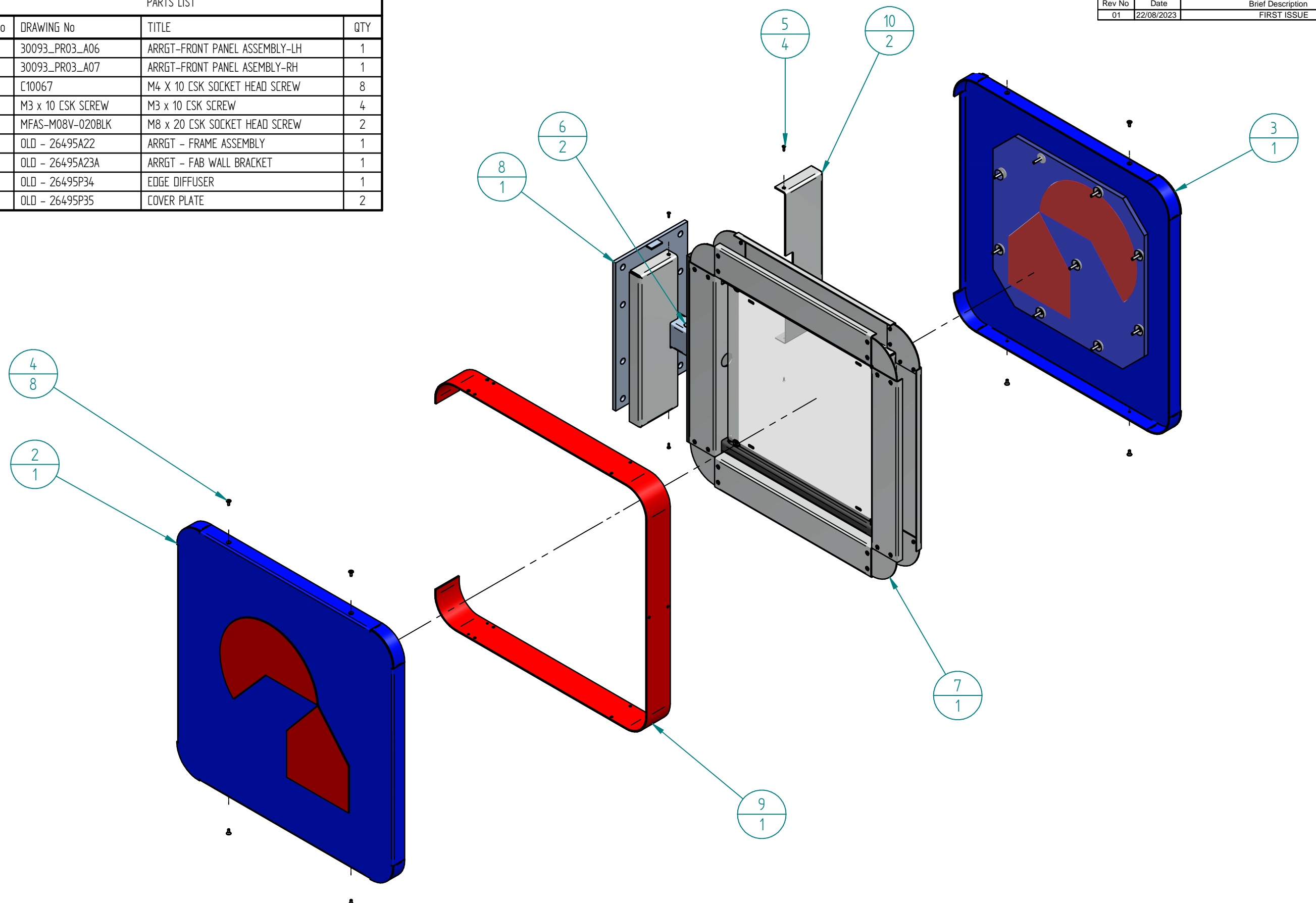



PARTS LIST			
ITEM No	DRAWING No	TITLE	QTY
2	30093_PR03_A06	ARRGT-FRONT PANEL ASSEMBLY-LH	1
3	30093_PR03_A07	ARRGT-FRONT PANEL ASSEMBLY-RH	1
4	C10067	M4 X 10 CSK SOCKET HEAD SCREW	8
5	M3 x 10 CSK SCREW	M3 x 10 CSK SCREW	4
6	MFAS-M08V-020BLK	M8 x 20 CSK SOCKET HEAD SCREW	2
7	OLD - 26495A22	ARRGT - FRAME ASSEMBLY	1
8	OLD - 26495A23A	ARRGT - FAB WALL BRACKET	1
9	OLD - 26495P34	EDGE DIFFUSER	1
10	OLD - 26495P35	COVER PLATE	2

Revisions		
Rev No	Date	Brief Description
01	22/08/2023	FIRST ISSUE



 <small>THIS DRAWING IS THE PROPERTY OF OMEGA SIGNS LTD AND MUST NOT BE PASSED TO THIRD PARTIES WITHOUT PRIOR CONSENT. ANY UNAUTHORISED USE OF THIS DRAWING WILL RESULT IN A DESIGN FEE BEING CHARGED.</small>	<small>ALL DIMENSIONS IN MILLIMETRES (mm) UNLESS STATED OTHERWISE - DO NOT SCALE -</small> <small>DECIMAL X.X ± 0.1</small> <small>DECIMAL X.XX ± 0.05</small> <small>ANGLE X.Xº ± 0.1</small>	SCALE @ A3: 1:7.5 SHEET: SHEET 1 OF 3 DATE: 31/07/2023	CLIENT: NATIONWIDE DRAWN BY: ian wilson APPROVED BY: Tom Howley	MATERIAL: TREATMENT: MASS: 24.713 kg	REV NO: 01	DRAWING NO: 30093_PR03_A01 TITLE: ARRGT-GENERAL ASSEMBLY	ASSY / ELEC
	<small>THIRD ANGLE PROJECTION</small> 