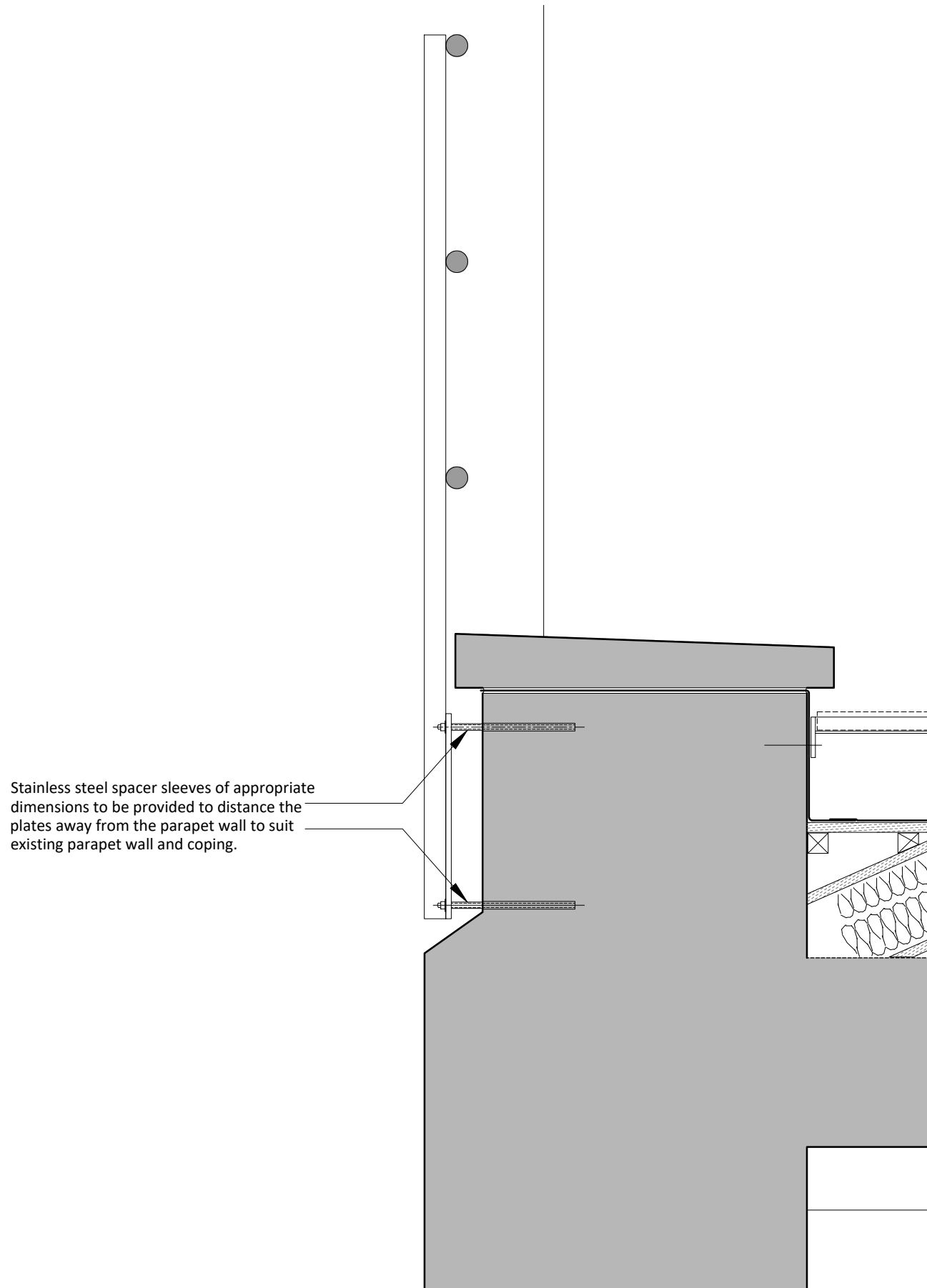


This drawing is copyright of Avison Young (UK) Limited.

Do not scale this drawing.

All dimensions to be checked on site. Drawing to be read in conjunction with any specifications, schedules and Consultants drawings and details.



SECTION THROUGH NEW SAFETY BALUSTRADE
Scale 1:10

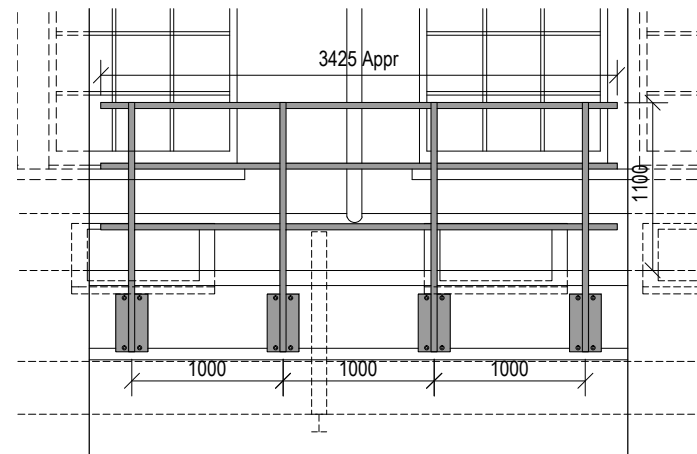
Balustrade type and construction to be confirmed and coordinated with Structural Engineer prior to balustrade fabrication and installation.

New metal balustrade to 1100mm height above parapet coping.
40mm dia rails and uprights and plates to be PPC finished colour Grey BS: 10A05 (tbc).

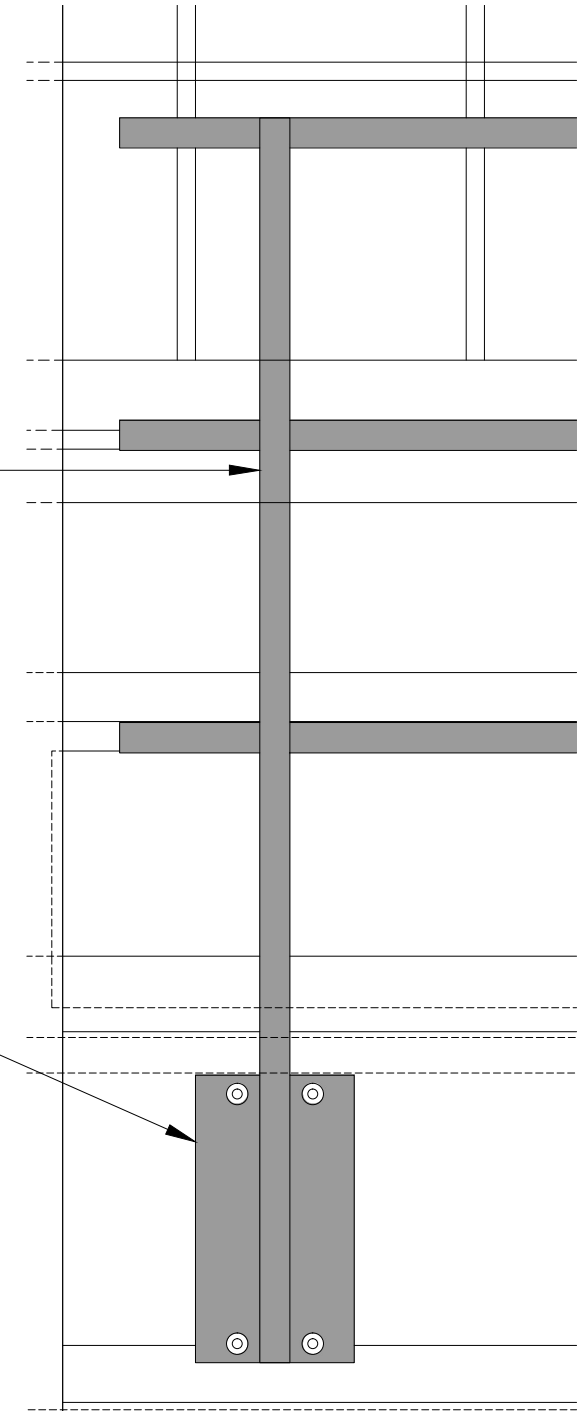
Height, length and thickness of parapet wall must be confirmed and coordinated with the Structural Engineer prior to balustrade fabrication and installation.

380x210x10mm thick steel plate fixed to parapet wall with 4 No. Stainless 4M8 anchors with Hilti HIT HY-70 resin at 100mm spacing horizontally and 330mm spacing vertically. Minimum edge distance 100mm to be confirmed after wall dimensions measurement.

Stainless steel spacer sleeves of appropriate dimensions to be provided to distance the plates away from the parapet wall to suit existing parapet wall and coping.
Anchors to have nylon washers to stop bi-metallic corrosion.



ELEVATION OF NEW SAFETY BALUSTRADE
Scale 1:50



PART ELEVATION OF NEW SAFETY BALUSTRADE
Scale 1:10

**AVISON
YOUNG**

08449 02 03 04
65 Gresham Street, London, EC2V 7NQ
www.avisonyoung.com

Project Name Kings Buildings, 16 Smith Square, London, SW1P 3HQ	Scale @ A3 As Noted	Drawn RV	Checked AN	Date JUNE 2021
-----------------------------------------------------------------------	------------------------	-------------	---------------	-------------------

Client TEPBROOK PROPERTIES Ltd.	Project No. 02C100569
------------------------------------	--------------------------

Drawing Title DETAILS OF NEW SAFETY BALUSTRADE	Drawing No. PR-04	Rev. -	A3
---------------------------------------------------	----------------------	-----------	----