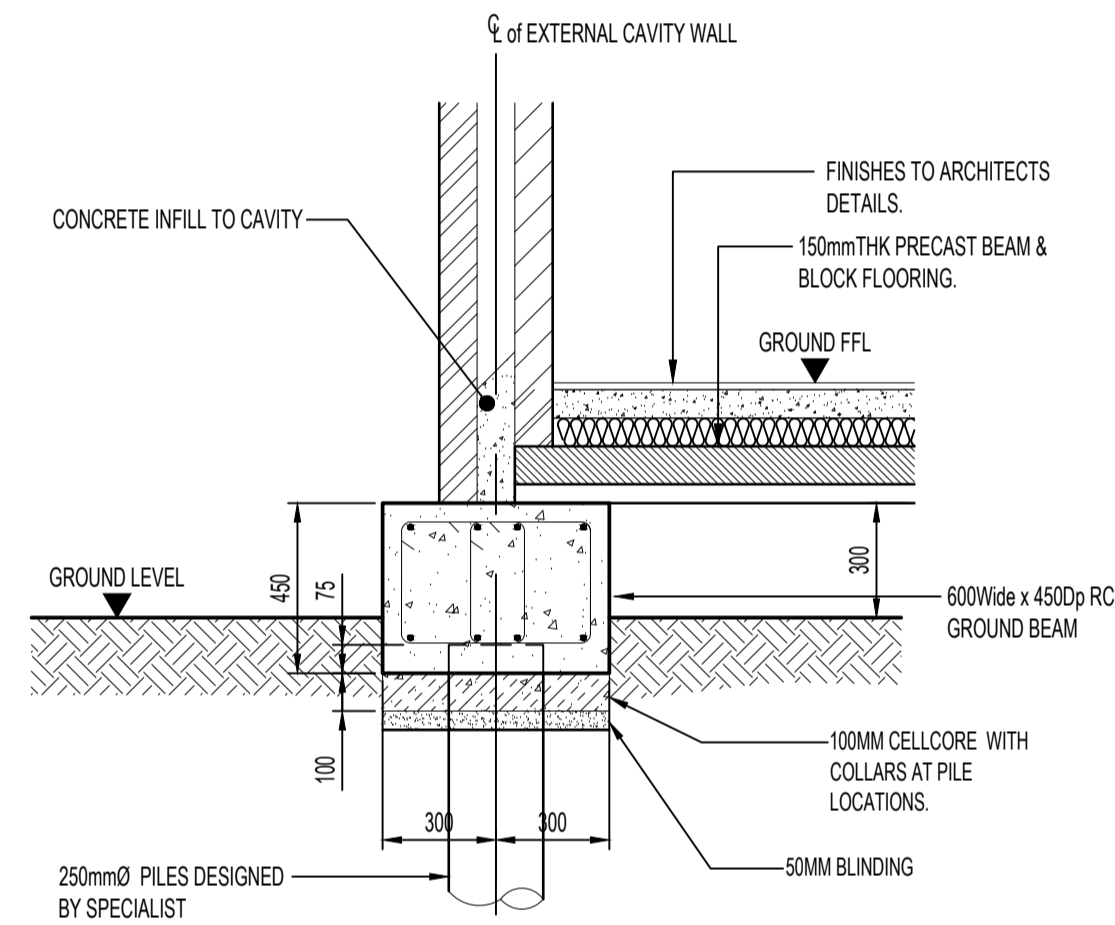
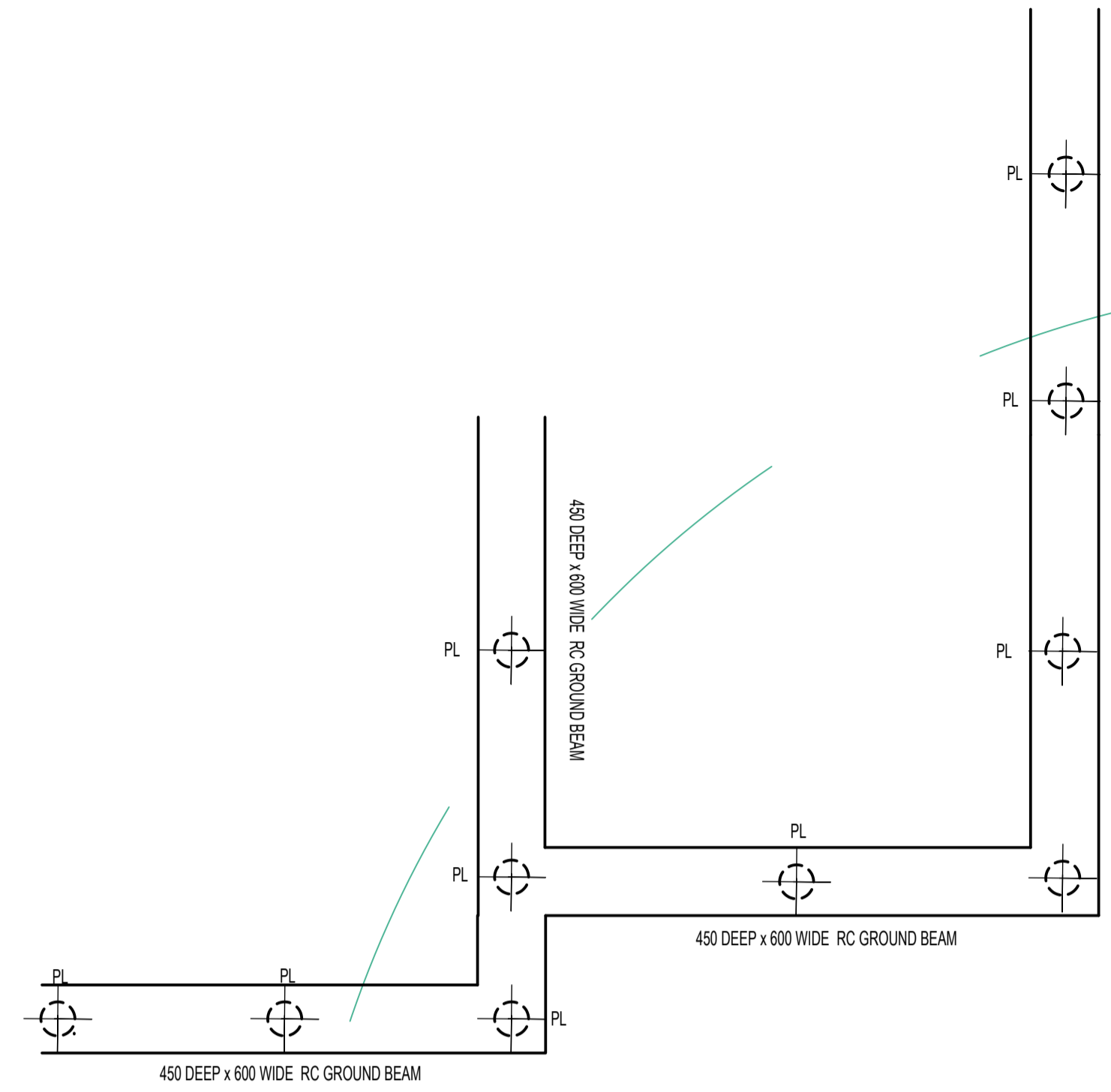


**PILE CAPPING BEAM ABOVE GROUND  
SECTION (OPTION 1)**  
SCALE 1:20



**PILE CAPPING BEAM ABOVE GROUND  
SECTION (OPTION 2)**  
SCALE 1:20

PLEASE NOTE : EXCAVATION FOR  
FOUNDATION TO BE DUG BY HAND.



**PROPOSED PILE PLAN**  
SCALE 1:50

**KEY**

- DENOTES: EXISTING WALLS
- DENOTES: PROPOSED TIMBER STUD WALLS
- DENOTES: EXISTING WALLS TO BE DEMOLISHED
- DENOTES: WALLS UNDER
- DENOTES: BRICKWORK WALLS
- DENOTES: BLOCKWORK WALLS
- DENOTES: LOCATION OF PILE

REV.	DATE	DESCRIPTION
P1	07.12.22	Issued for information

**WHITE & LLOYD**  
CONSULTING ENGINEERS

Devon House, 11 High Street, Thames Ditton, Surrey, KT7 0SD  
+44(0)208 191 7747 office@whiteandlloyd.com www.whiteandlloyd.com

PROJECT:  
**BRECKENRIDGE**

TITLE:  
**PILE PLAN**

ARCHITECT:  
**CONCEPT 8 Architects**

CLIENT:  
**ABI BAIRD**

STATUS:  
**FOR INFORMATION**

DATE: DECEMBER 2022 DRAWN: BY: JW

SCALE: AS SHOWN @ A1 CHECKED: BY:

JOB No: **22-CE-149** DWG No: **010** REV: **P1**

