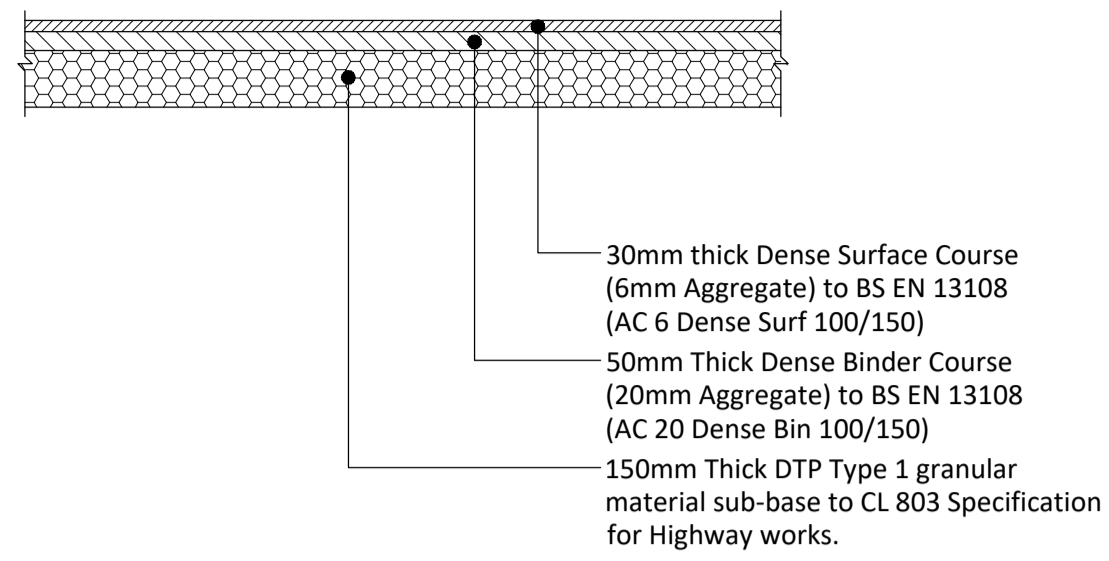


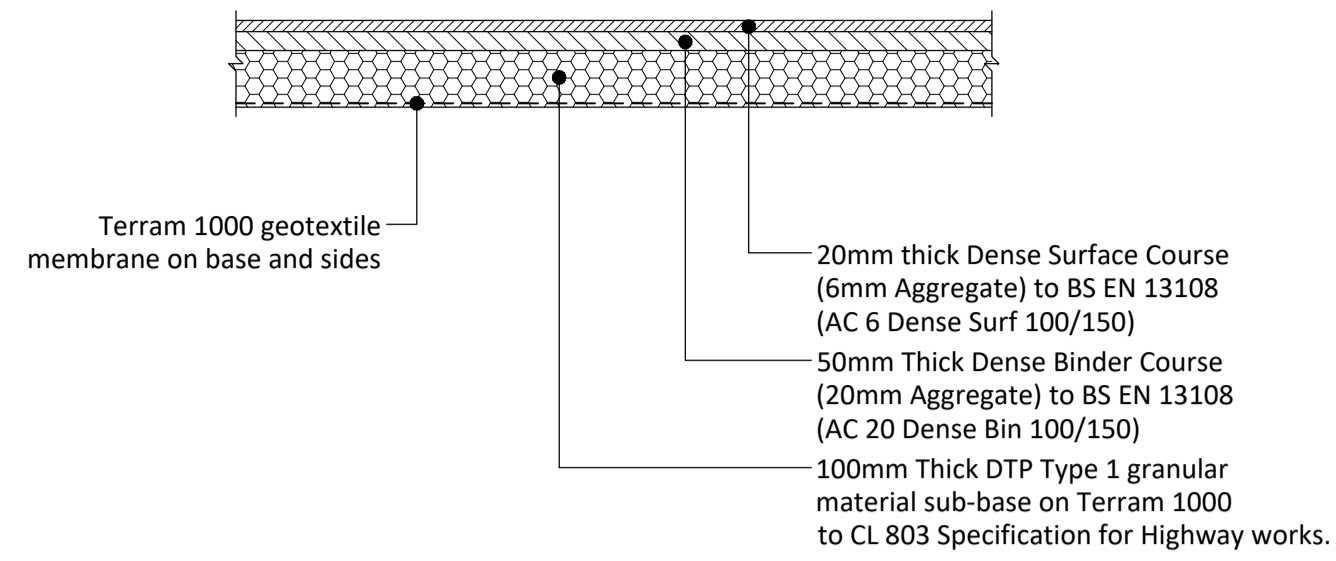
DO NOT SCALE THIS DRAWING. ALL SETTING OUT TO ARCHITECT'S DETAILS AND DRAWINGS

THIS DRAWING IS TO BE READ IN CONJUNCTION WITH ALL OTHER RELEVANT DRAWING ISSUES AND THE SPECIFICATION.

- Notes:**
- G1. All building materials, components and workmanship to comply with the appropriate public health acts, building regulations, british standards and codes of practice and the appropriate manufacturer's recommendations.
 - G2. For all specialist work see relevant drawings.
 - G3. Any discrepancies, errors or omissions to be reported to the project co-ordinator for further instructions before commencement of works.
 - G4. The Engineer is not responsible for dimensions, except where shown on his drawings. All setting out information, dimensions, etc, shall be calculated from the Architect's drawings.



Typical Construction (A)
Flexible Surfacing
Scale 1-20



Typical Construction (B)
Flexible Surfacing
Scale 1-20

CO1	Construction Issue	SJ	MJF	08.12.23
PO1	Preliminary Issue.	SJ	MJF	05.10.23
Rev	Amendment	Drn	Chk	Date

considine
civil + structural engineers
25 Hollingworth Court, Turkey Mill
Ashford Road, Maidstone, Kent ME14 5PP
t: 01622 919918 e: info@considine.co.uk
www.considine.co.uk

Client:
HAVEN LEISURE LTD

Project:
**HAVEN HOLIDAY PARKS - ALLHALLOWS
ALLHALLOWS, ROCHESTER
ME3 9QD**

Drawing Title:
CONSTRUCTION DETAILS

considine ref	drawn by	date	drawing scales	original paper size
5720	SJ	1540	1:20@A1	A1

drawing reference :	originator	volume	level	type	role	number
5720-CON-00-XX-DR-C-1540						

status :	status description :
A1	APPROVED
revision :	revision status :
C01	CONSTRUCTION ISSUE

This document is © Considine Limited

