



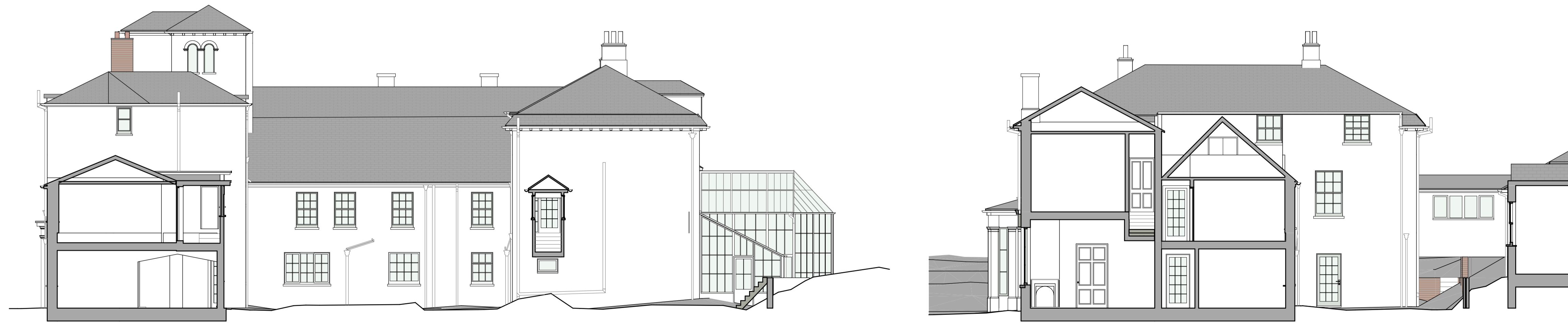
E-01 Elevation

1:100



E-02A Elevation

1:100

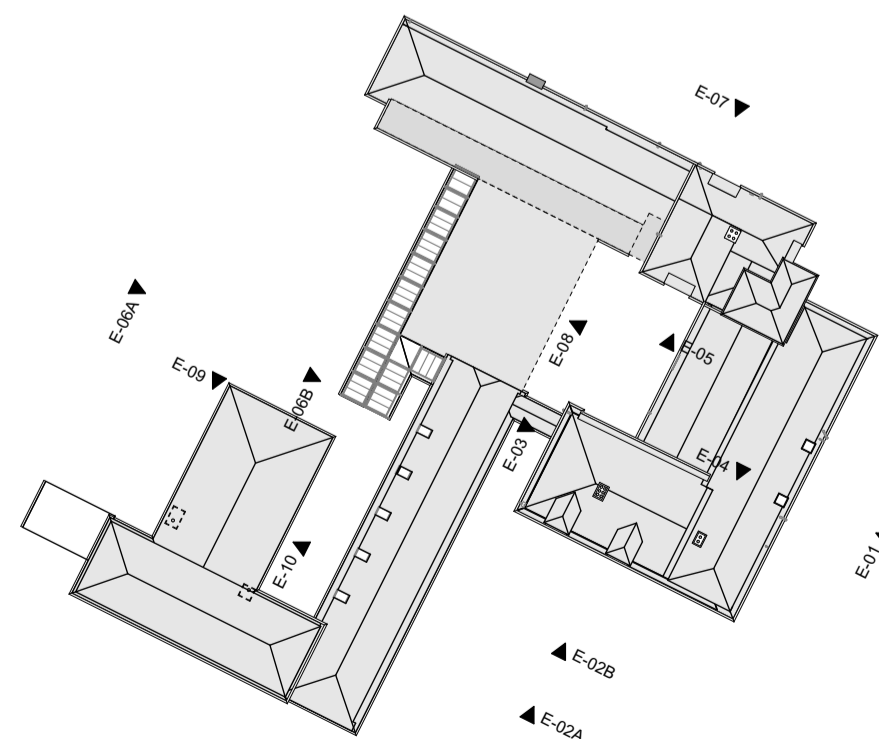


E-03 Elevation

1:100

E-04 Elevation

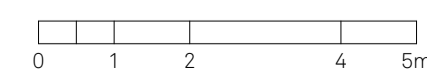
1:100



Elevation Key

1:500

rev.	date	changes description	status	issued by
P02	14/04/2020	Update scale bar	S2	RH
P01	16/03/2020	Initial Issue	S2	RH



**RE-FORMAT**

this drawing is the copyright of Re-Format LLP and may not be copied, altered or reproduced in any way or passed to a third party without written authority. All dimensions subject to site survey and site verification. Do not scale for construction ©

www.re-format.co.uk  
mail@re-format.co.uk  
+44 (0)1730 778778

drawn by  
RH  
checked by  
MS

date created  
16/03/2020  
scale at A1  
1:100, 1:500

project title  
Dunford House  
document title  
Existing Elevations

project	originator	volume	level	type	role	number
P20020	RFT	00	ZZ	DR	A	0301
status	suitability description	revision				
S4	Suitable for Stage Approval	P02				