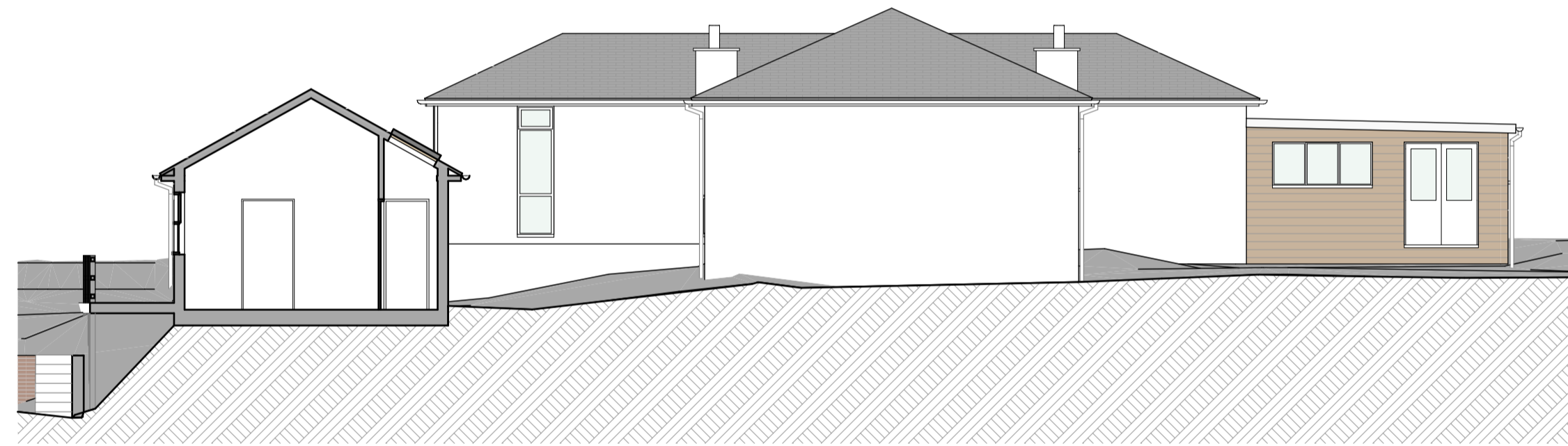


E-08 Elevation

1:100



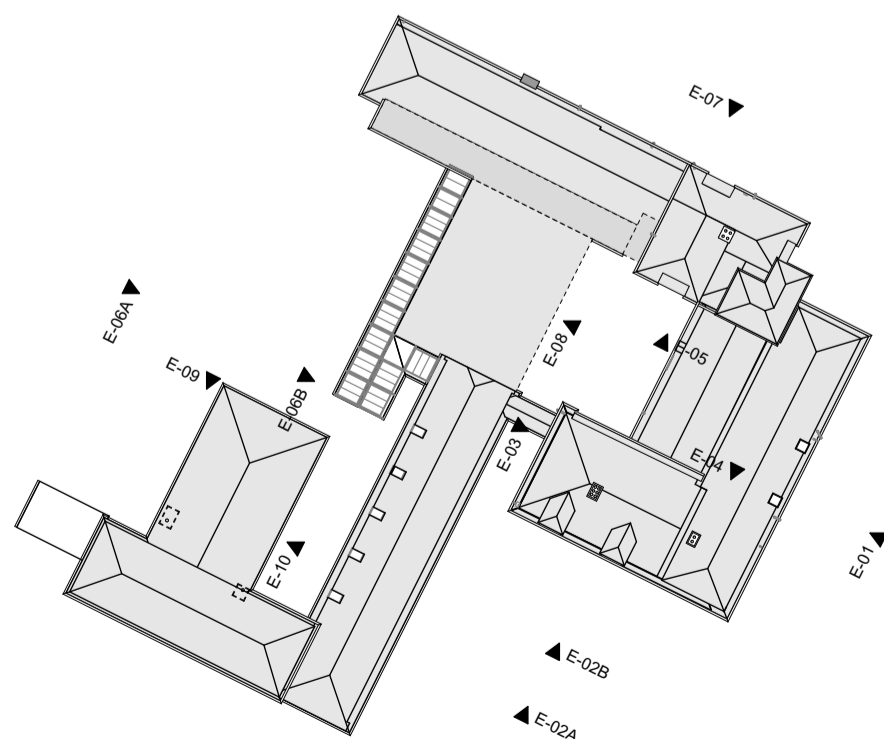
E-09 Elevation

1:100



E-10 Elevation

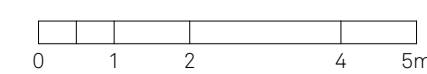
1:100



Elevation Key

1:500

rev.	date	changes description	status	issued by
P02	14/04/2020	Update scale bar	S2	RH
P01	16/03/2020	Initial Issue	S2	RH



RE-FORMAT

this drawing is the copyright of Re-Format LLP and may not be copied, altered or reproduced in any way or passed to a third party without written authority. All dimensions subject to site survey and site verification. Do not scale for construction ©

www.re-format.co.uk
mail@re-format.co.uk
 +44 (0)1730 778778

drawn by
RH
checked by
MS

date created
16/03/2020
scale at A1
1:100, 1:500

project title
Dunford House
document title
Existing Elevations

project	originator	volume	level	type	role	number
P20020	RFT	00	ZZ	DR	A	0303
status	S4	suitability description	Suitable for Stage Approval	revision	P02	