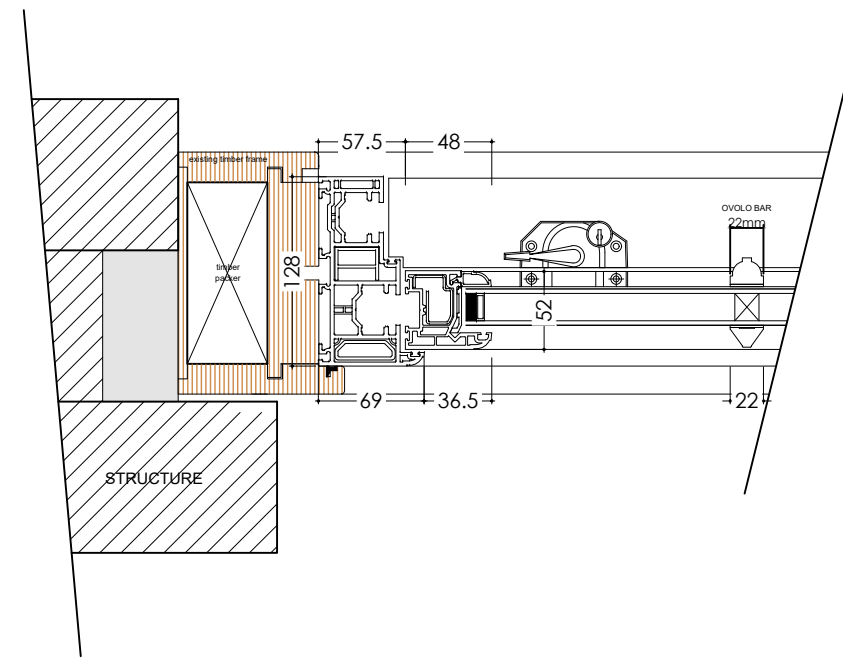
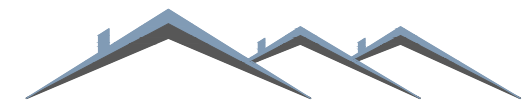
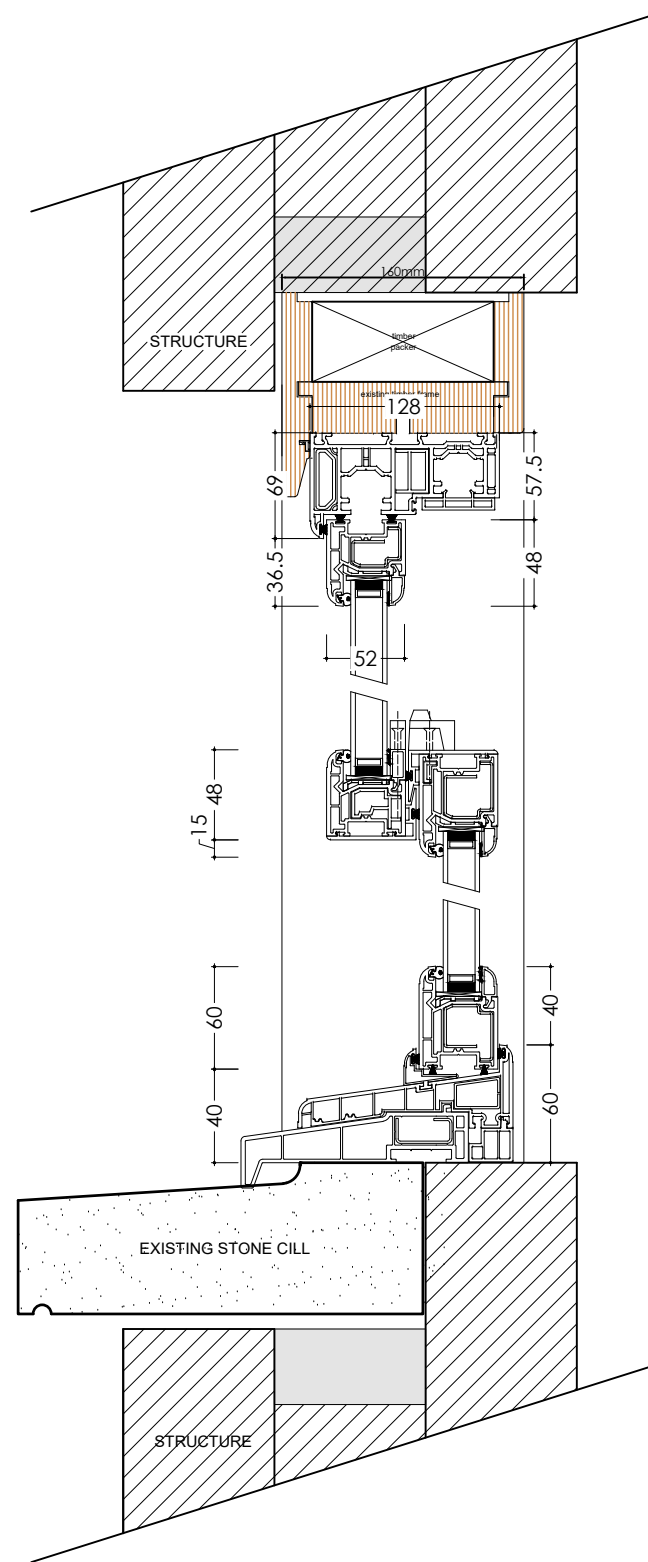


sash elevation



sash jamb, head and cill details



Blackrock Architecture Ltd

Architectural & Planning Consultants

Unit 42 Canterbury Innovation Centre Canterbury Kent CT2 7FG

T: 01227 281743 M: 07771 616348 E: info@blackrock-architecture.co.uk

Project  
73 William Street, Herne Bay

Drawing Title  
Proposed sash window details

Client  
/

Scale  
1:5 @ A3

Drawing No.  
2080/05 A