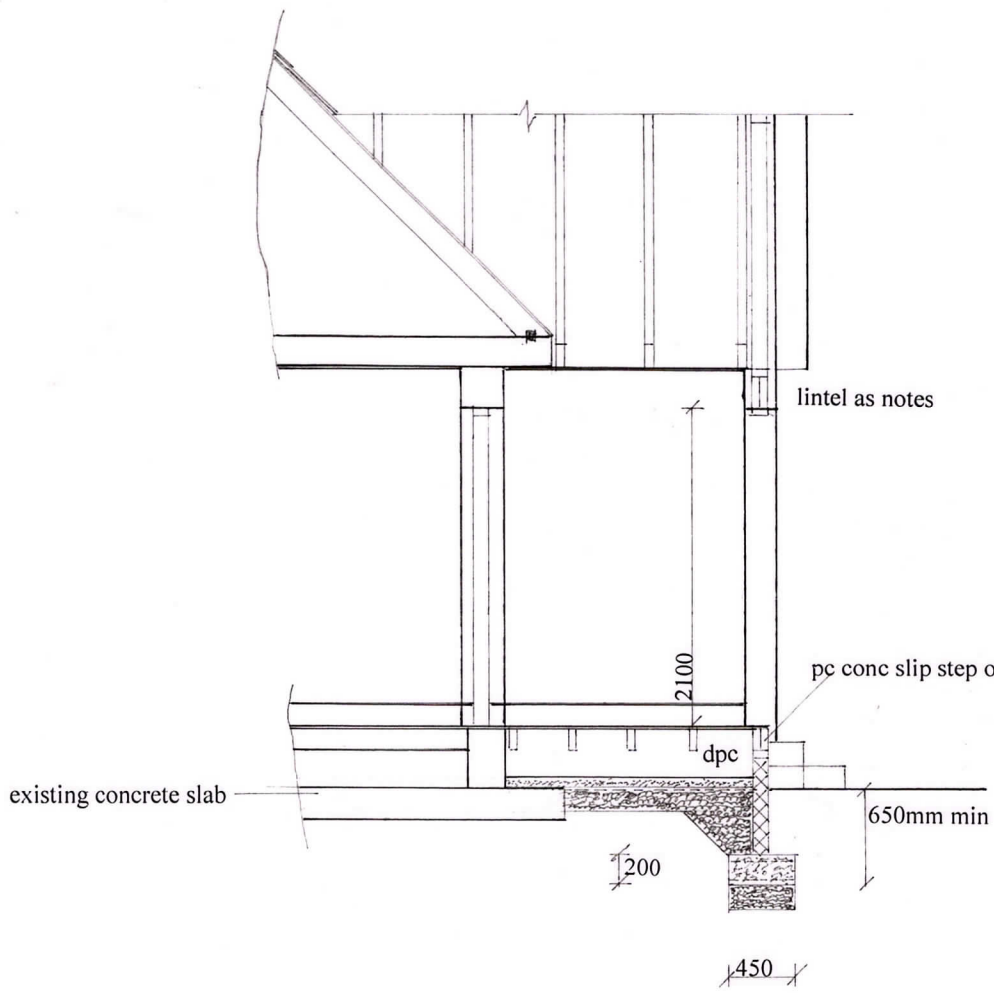
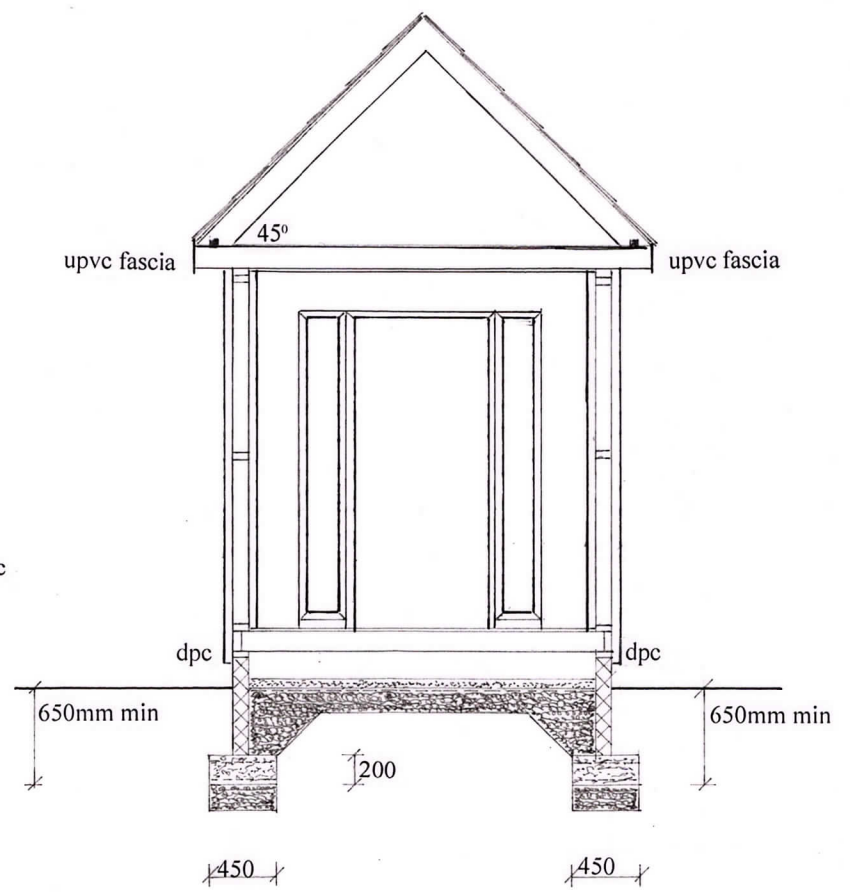


SECTION B-B 1:50



SECTION C-C 1:50



SECTION D-D 1:50

