

**Tree Survey Schedule (undertaken on 19.10.23 by SH)**  
 An explanation of the survey terms and assessment limitations can be found at [www.ravencroftrees.co.uk/wp-content/uploads/2019/04/Schedule-Key2019.pdf](http://www.ravencroftrees.co.uk/wp-content/uploads/2019/04/Schedule-Key2019.pdf) and the general constraints and limitation of this survey and assessment can be found at [www.ravencroftrees.co.uk/consultancy/terms-and-conditions/](http://www.ravencroftrees.co.uk/consultancy/terms-and-conditions/)

Tree ID	Common Name	Botanical Name	Height (m)	Calc. / Actual Stem Dia. (mm)	Spread (m)				Height (m) & Orientation of First Significant Branch	Avg. Canopy Life Stage	General Observations	Preliminary Recommendations	Estimated Remaining Contribution (Years)	BS5837: 2012 Category	RPA Radius (m)	RPA m <sup>2</sup>	
					N	E	S	W									
T1	Holly	<i>Ilex aquifolium</i>	7	280	2.5	2.5	2.5	2.5	0-N	0	Semi-mature	None	No work at this time.	40+ Years	B1	3.3	35
T2	Oak	<i>Quercus robur</i>	17	920	7	11	5	6	3-E	4	Mature	Chlorotic and thinner crown than adjacent oak trees.	No work at this time.	40+ Years	A1,3	11.0	383
T3	Oak	<i>Quercus robur</i>	18	910	6	3	7	5	4-N	5	Mature	Ivy prevents inspection of mainstem.	No work at this time.	40+ Years	A1,3	10.9	375
T4	Oak	<i>Quercus robur</i>	17	900	9	6.5	8	7	4-E	5	Mature	None	No work at this time.	40+ Years	A1,3	0.0	0
T5	Ash	<i>Fraxinus augustifolia</i>	18	800	6	4	9	9	2.5-E	4.5	Mature	Deadwood through out crown.	Outside of ownership.	10+ Years	B3	9.6	290
T6	Cherry	<i>Prunus avium</i>	8	350	3	5	5	4	4.5-W	4	Mature	None	No work at this time.	20+ Years	B1	4.2	55
T7	Cockspurthorn	<i>Crataegus persimilis</i>	4	150	2	2	3	2.5	2-S	1.5	Mature	None	No work at this time.	20+ Years	B1	1.8	10
T8	Cherry	<i>Prunus spp.</i>	4	70	1	1	1	1			Dead	Dead	No work at this time.	0 Years	U	0.0	0
T9	Silver Birch	<i>Betula pendula</i>	6.5	80	1.5	1.5	1.5	1.5	2-S	2	Semi-mature	None	No work at this time.	10+ Years	C1	1.0	3
T10	Silver Birch	<i>Betula pendula</i>	3.5	50	0	0.5	2	1	2-W	2	Young	None	No work at this time.	<10 Years	C1	0.6	1
T11	Cherry	<i>Prunus spp.</i>	5	80	1	1	1	1			Dead	Dead	No work at this time.	0 Years	U	0.0	0
T12	Silver Birch	<i>Betula pendula</i>	7	90	1.5	1.5	1.5	1.5	2-N	2.5	Semi-mature	None	No work at this time.	10+ Years	C1	1.1	4
T13	Silver Birch	<i>Betula pendula</i>	7	90	1.5	1.5	1.5	1.5	2-SW	2.5	Semi-mature	None	No work at this time.	10+ Years	C1	1.1	4
T14	Silver Birch	<i>Betula pendula</i>	6	100	2	2	2	2	1.5-E	2	Semi-mature	None	No work at this time.	20+ Years	B3	1.3	5
G1	Mixed/Willow		8	100	2	2	2	2	1-N	1.5	Semi-mature	None	No work at this time.	20+ Years	B2	1.3	5
G2	Mixed		10	120	2	2	2	2	0-N	0	Semi-mature	None	No work at this time.	20+ Years	B2	1.5	7

Figure 1 - Tree Protection Barrier Specification

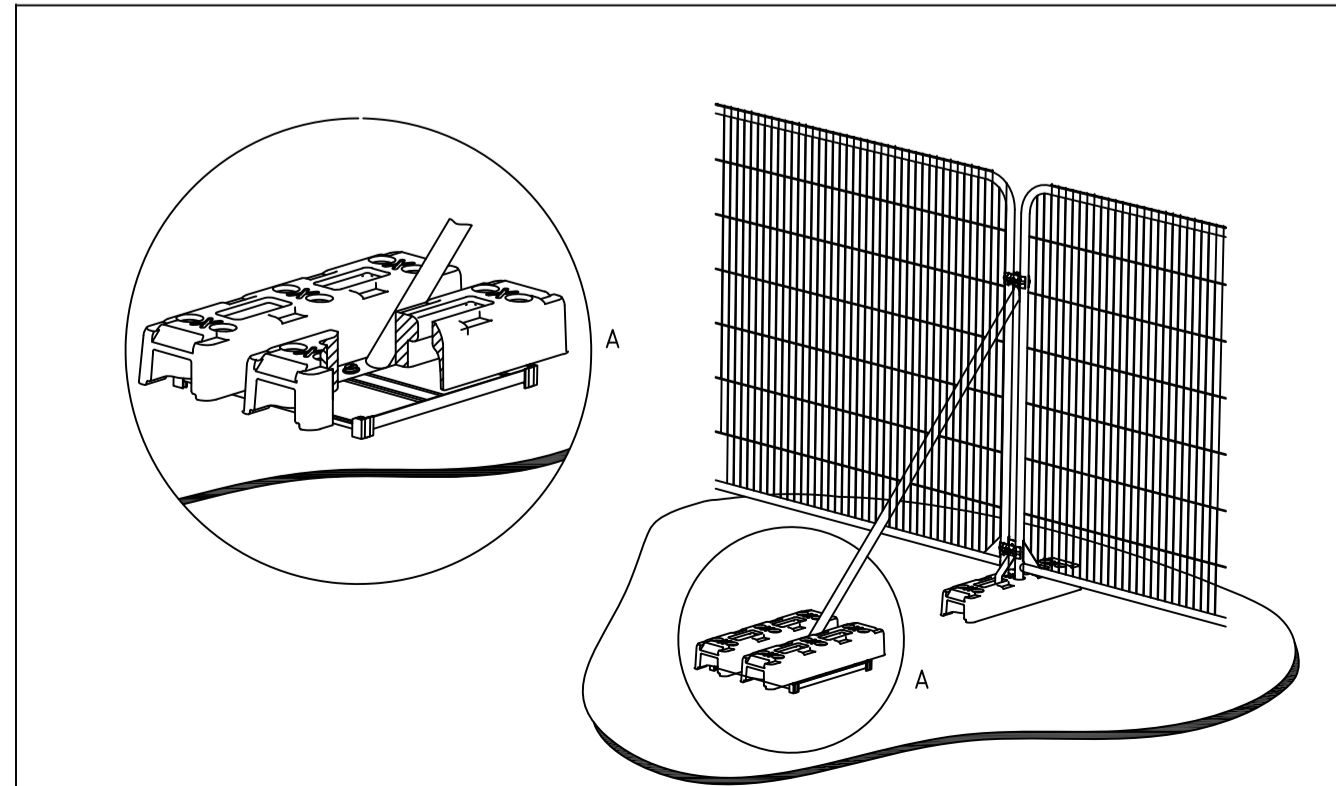


Image adapted from Figure 3 of BS5837:2012.

**KEY**

- T1 Tree/Group number
- Tree position with canopy spread of BS5837 category A1, A2 or A3 tree
- Tree position with canopy spread of BS5837 category B1, B2 or B3 tree
- Tree position with canopy spread of BS5837 category C1, C2 or C3 tree
- Tree position with canopy spread of BS5837 category U tree
- Root Protection Area (RPA) adjusted as per BS5837:2012
- Tree or group to be removed
- Heras panel based tree protection barrier as per BS5837:2012 (see Fig 1 below)
- Extent of proprietary ground protection sheets Live EuroMat as 2.4x1.2m or similar
- Area of supervised excavation

**Arboricultural Method Statement & Checklist**  
 (To be maintained as a record of compliance by the appointed arboriculturalist and project manager.)

Phase	Description
<b>PHASE 1 - Pre-commencement</b>	1.1 The project manager must appoint an independent arboriculturalist to oversee the project, troubleshoot tree issues and to confirm the implementation of this method statement. This person must be an arboriculturalist as defined within BS5837:2012 and they must also be contractually engaged to act on all of the following requirements.
	1.2 Prior to commencement of any further activity on site, the project manager must arrange and effect a pre - commencement meeting with the arboriculturalist to review the final design and construction plan, to confirm the suitability of this method statement, the practicality of tree protection measures and the scheduling of site visits. If necessary, this document will be updated and reissued to all parties (e.g., if the construction phasing is long, the works teams small and the intensity of traffic minimal then tree protection may be revised appropriately).
<b>Phase 1 must be fully signed off prior to beginning of Phase 2.</b>	
<b>PHASE 2 - Tree Work</b>	2.1 The tree work listed in the tree survey schedule (below left) must be completed as specified (unless it is agreed to be deferred in the pre-commencement meeting).
	2.2 If identified as necessary during the pre-commencement meeting, the project manager and the arboriculturalist must agree the maximum extent of any access facilitation pruning for construction. This specification will be limited in all cases to small secondary branches and no final pruning cut should exceed 25mm in diameter. The arboriculturalist must confirm the pruning points in an annotated photograph as part of the final specification issued to contractors. All works must comply with BS 3998:2010.
	2.3 Should any further tree work become necessary as a result of unforeseen construction related circumstances, the project manager agrees to instruct the arboriculturalist to agree a works specification with North Norfolk District Council in writing prior to implementation. All works must comply with BS 3998:2010.
<b>Phase 2 must be fully signed off prior to beginning of Phase 3.</b>	
<b>PHASE 3 - Tree Protection</b>	3.1 The project manager must ensure that all tree protection barriers and ground protection panels are installed as shown in the adjacent tree protection plan prior to commencement of the development (if agreed in the pre-commencement meeting, this specification can be adjusted to reflect the scale of the proposed construction team and the areas used during construction). Subsequently, the project manager must notify the appointed arboriculturalist upon the completion of the installation.
	3.2 The arboriculturalist will undertake a site inspection within 24 hours of notification of the above to confirm and record that all tree protection measures are correctly positioned and fit for purpose. The arboriculturalist must promptly issue written confirmation of the correct installation of tree protection measures to North Norfolk District Council.
	3.3 To permit access within the site to the Hospital's employees and visitors, the project manager must ensure that development traffic and contractors are confined to the designated working zone. The working zone includes the installation of a temporary line of ground protection sheeting directly beneath the crown of T2, providing a level of protection to the RPA not met by the existing parking surface.
	3.4 The project manager is responsible for maintaining the functionality of all tree protection for the duration of the project. In the event that any other tree protection element has to be moved for any reason, the project manager must first agree the adjustment with the arboriculturalist.
<b>Phase 3 must be fully signed off prior to beginning of Phase 4.</b>	
<b>PHASE 4 - Construction</b>	4.1 Excavations of the concrete slab and footings for the proposed extension to the car parking surfaces, must be removed under arboricultural supervision (or as a channel following the perimeter of the concrete slab, whichever is deemed practical). The depth of the excavation should be to the agreed, and must not exceed, the requirements of the construction of new surfacing. This area can be excavated to begin with using a hydraulic breaker and excavator equipped with a toothless bucket until roots are encountered at which point the remainder must be hand dug. Where larger roots (or dense clumps of smaller roots) are revealed, the appointed arboriculturalist must make the final decision on their significance with a presumption in favour of their retention within the new surface where practical.
	4.2 In the event that a large system of roots are revealed in the excavation they must be retained and, where it is deemed possible, accommodated beneath the structure with appropriate techniques such as the incorporation of a cellular confinement system. This will of course affect the finished height of the constructed surface and suitability. Recommendations by the appointed arboriculturalist may include the reduction in part, or whole, of the proposed parking surface in favour of soft landscaping within the RPA.
	4.3 The gas meter to the North of the concrete slab must be treated as a "NO DIG, NO IMPACT" area and plant movements within 5m should be supervised by an appointed individual (preferably employed by the organisation responsible for the gas meter and main), including the excavation of the concrete slab.
	4.4 Levels for the existing parking area should be raised to reconcile differences. The pre-commencement meeting will determine the final construction approach to the integration of the existing surface and kerb edging and devise a suitable strategy for its retention or replacement. The arboriculturalist or project manager will communicate the approach to North Norfolk District Council in writing.
	4.5 Once all the above precautionary steps have been taken then all other construction / development processes can be undertaken.
<b>Phase 4 must be fully signed off prior to beginning of Phase 5.</b>	
<b>PHASE 5 - Completion</b>	5.1 Upon completion of the project and after construction and vehicle movements of site have finished the project manager will ensure the removal of all tree protection. The project manager will then notify the arboriculturalist of its removal.
	5.2 The arboriculturalist must undertake a final site inspection within 48 hours of notification of the above. The condition of the trees must be cross referenced with the initial surveys with any discrepancies noted and photographically recorded where appropriate.
	5.3 Upon completion of the project, the arboriculturalist must produce a final report confirming compliance with this method statement and/or documenting any deviations from its requirements. This report must incorporate a full record of the signing off of each of the elements within this method statement. The impact of the development on the trees will be summarised and where appropriate the report must propose any final amelioration or mitigation works that are necessary including works to anticipate future conflicts. This report will be submitted to the project manager and the LPA.

**PROJECT**  
 North Walsham Hospital, North Walsham  
 Norfolk

**TITLE**  
 Arboricultural Method Statement

**SCALE**  
 1:500 / 1:100 @ A1

**DATE**  
 05.12.2023

**PROJECT NUMBER**  
 PP/NWHCS/AMS/01

**DRAWING NUMBER**  
 SH

**CHECKED**  
 N/A

**REV**  
 C

**RAVENCROFT ARBORICULTURAL SERVICES**  
 6 Reepham Road, Foulsham  
 Dereham, Norfolk NR20 5SL  
 Company Registration No. 4938062  
 (registered in England)  
 Tel/Fax: 01362 684291  
 Email: info@ravencrofttrees.co.uk

NOT TO BE SCALE FROM - ALL DIMENSIONS TAKE OFF THE ORIGINAL OF THIS DRAWING HAS PRODUCED IN COLOUR. MONOCROME COPIES MAY NOT BE RELIABLE. RAVENCROFT ARBORICULTURAL SERVICES IS A TRADE MARK OF RAVENCROFT TREE SERVICES LTD REGISTERED OFFICE: 15 COLTON ROAD, FARNHAM, SURREY GU14 7JH