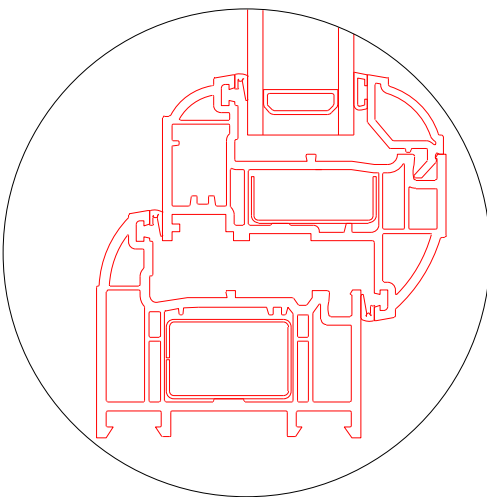
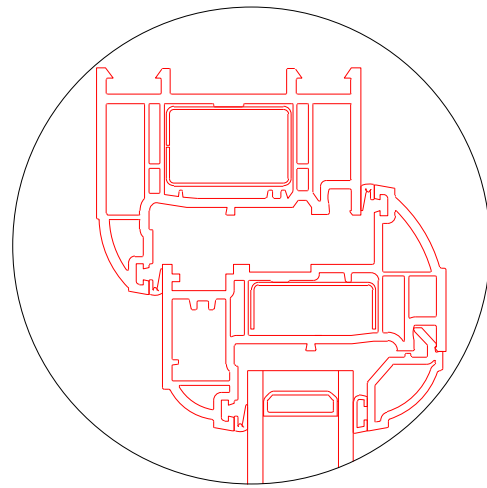
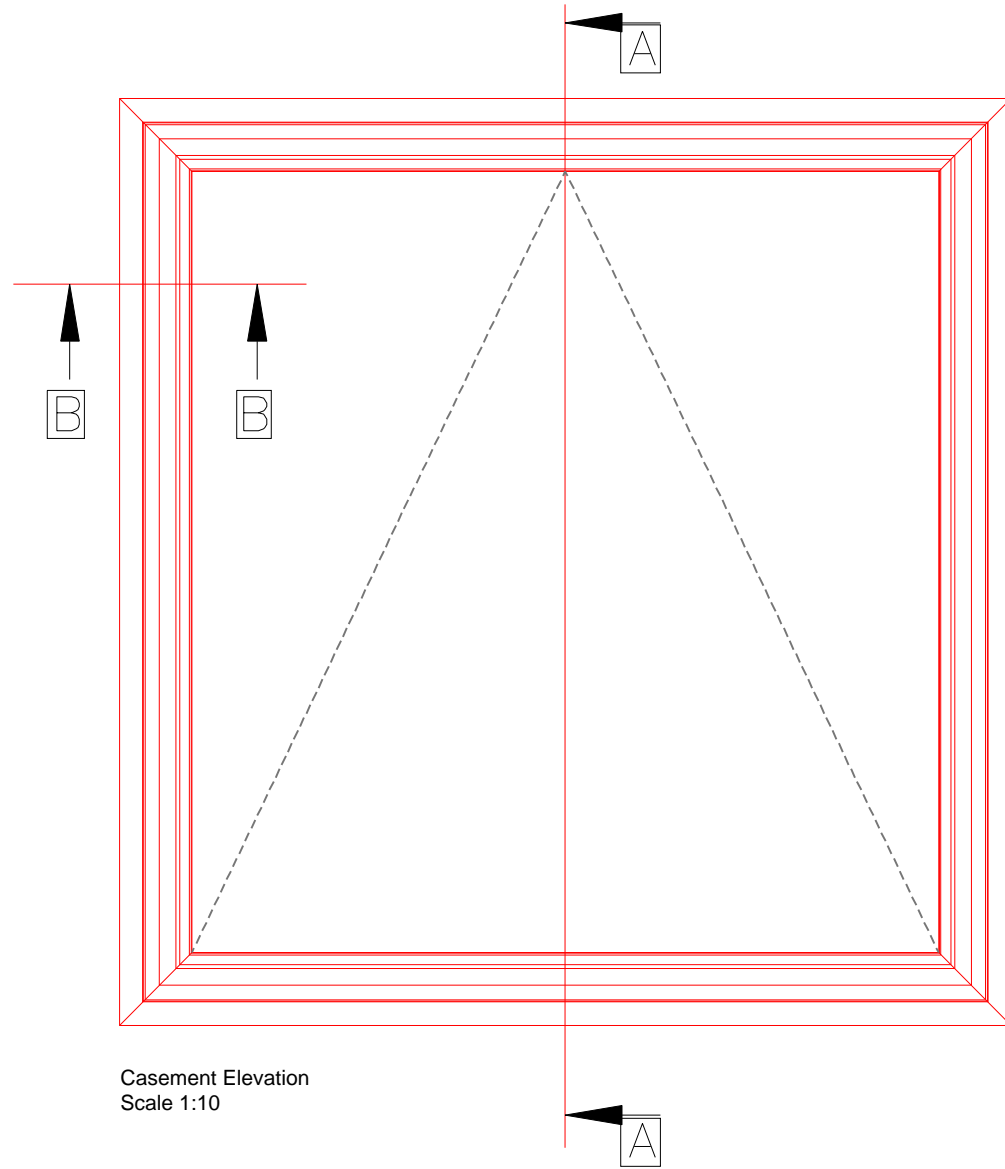


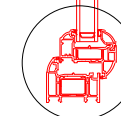
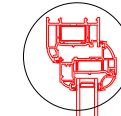
Casement Hinge Detail (B-B)
Scale 1:2



Casement Window Details
Scale 1:2



Casement Elevation
Scale 1:10



Casement Section
(A-A)
Scale 1:10

Proposed Window Section & Details for W3, & W4



Description

We propose to replace the existing 'White' upvc casement windows with a new 'White' upvc casement top opening windows. The external and internal colour of the windows will be white to be sympathetic to what is already existing. the proposal will honour what existing to the rest of the block of flats by replicating the orientation of the openable portion of W1. By reversing the fixed pane to the left hand side will allow the new windows to harmonize with rest of the property. Referring to the rear of the property W3 will be replaced from a fixed pane window to a casement top hung window.

Rev: Date: Description:



THIS DRAWING IS FOR ILLUSTRATION PURPOSES ONLY
THEREFORE NOTHING CONTAINED HEREIN SHALL
CONSTITUTE OR FORM ANY PART OF ANY CONTRACT.
This drawing remains the property of CR Smith Glaziers
(Dunfermline) Ltd ©

CLIENT
Mr Robertson
LOCATION
1 Jack Place
MainStreet
Inverkip
PA16 0AT

CONTRACT NUMBER 02566401

Project Title
Proposed Replacement Windows

Drawing Title
Proposed Section & Details

Date Drawn: 27 November 2023 Drawn By: CERYL

Scale - 1:100 @ A3
Date of Plot: 27 November 2023

CHECKED VERIFIED

Drawing No.

GA4