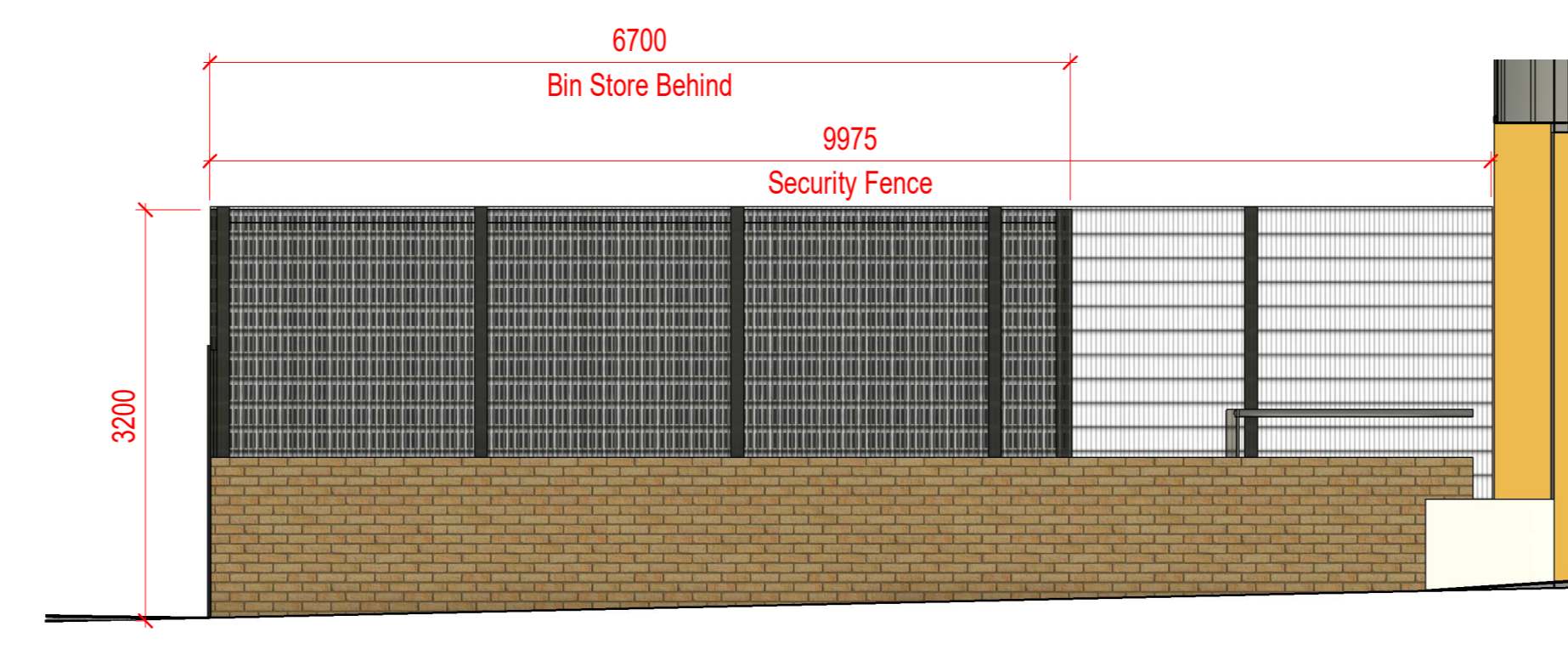
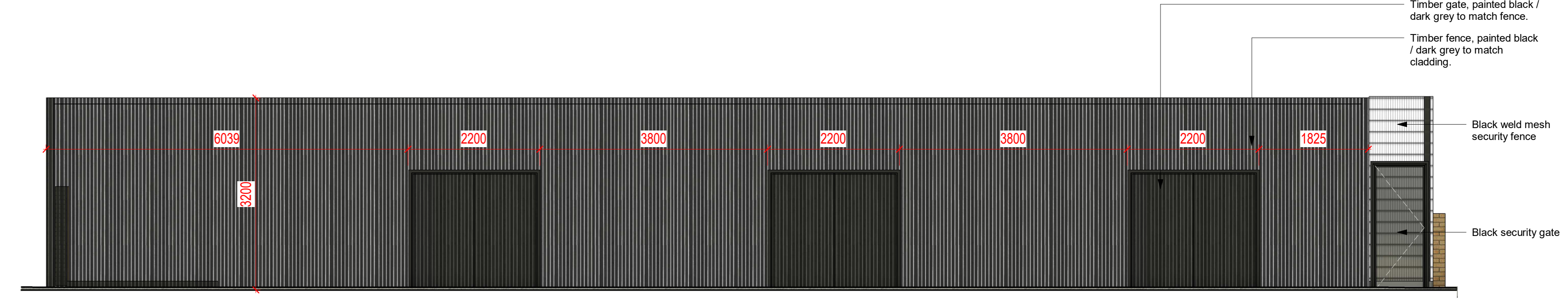


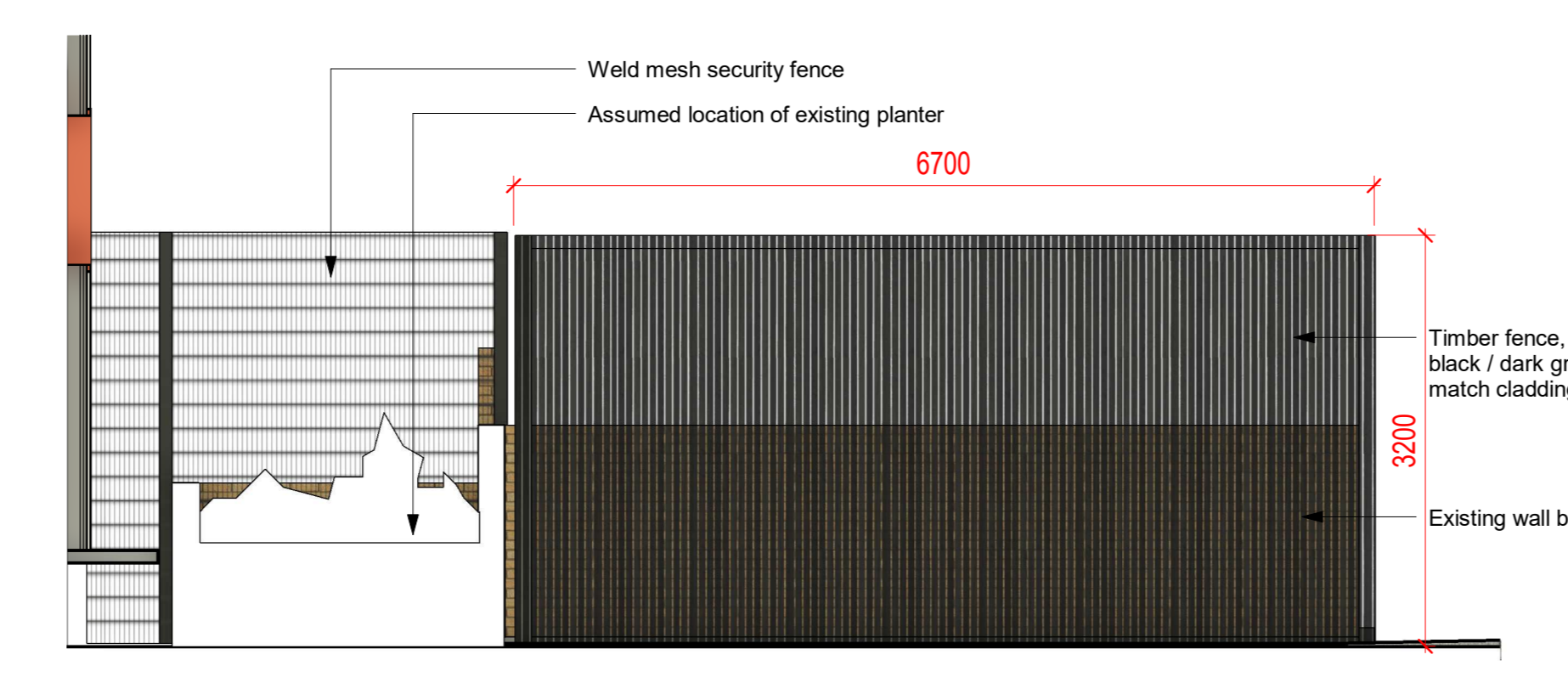
17
1 Bin Store Arrangement
1:50



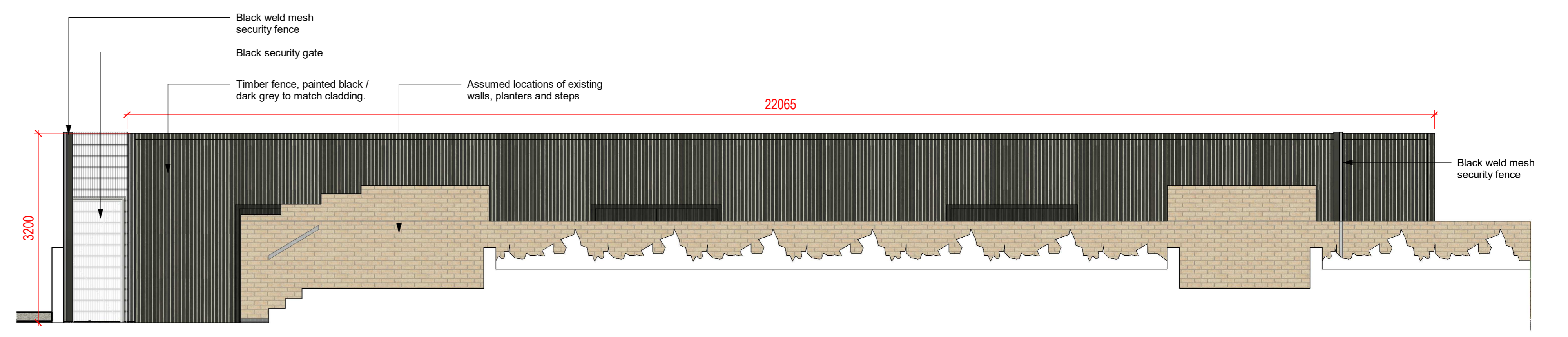
2 Bin Store North Elevation
1:50



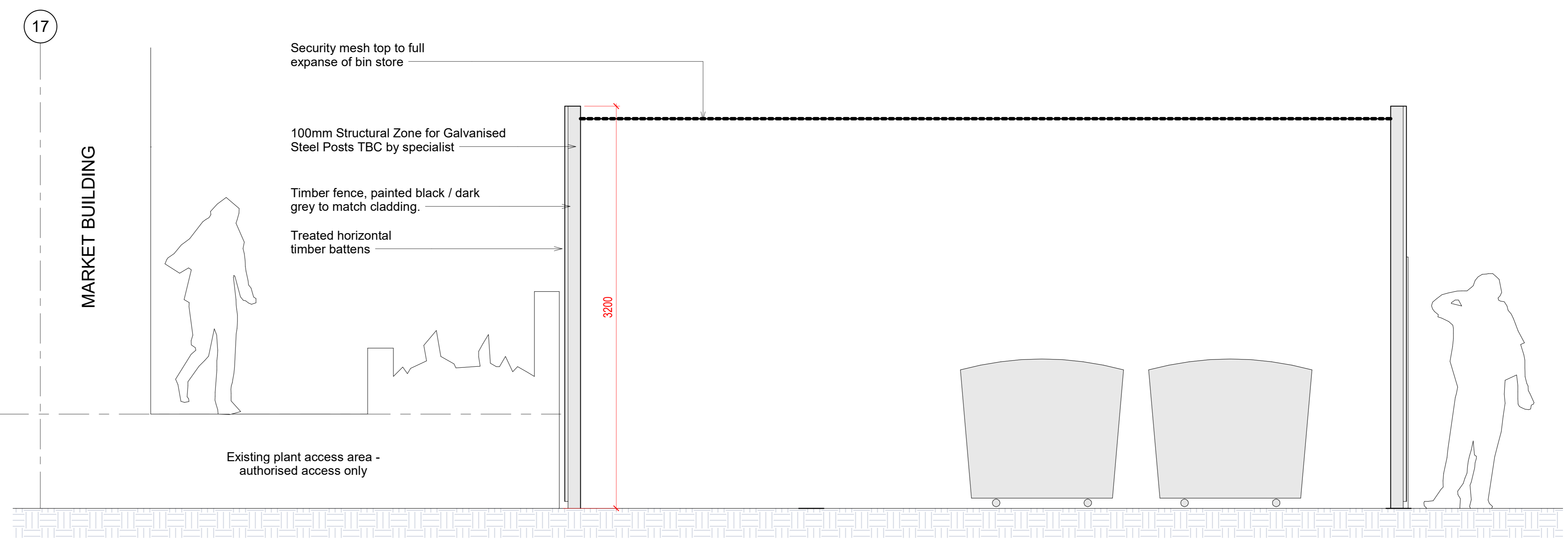
3 Bin Store East Elevation
1:50



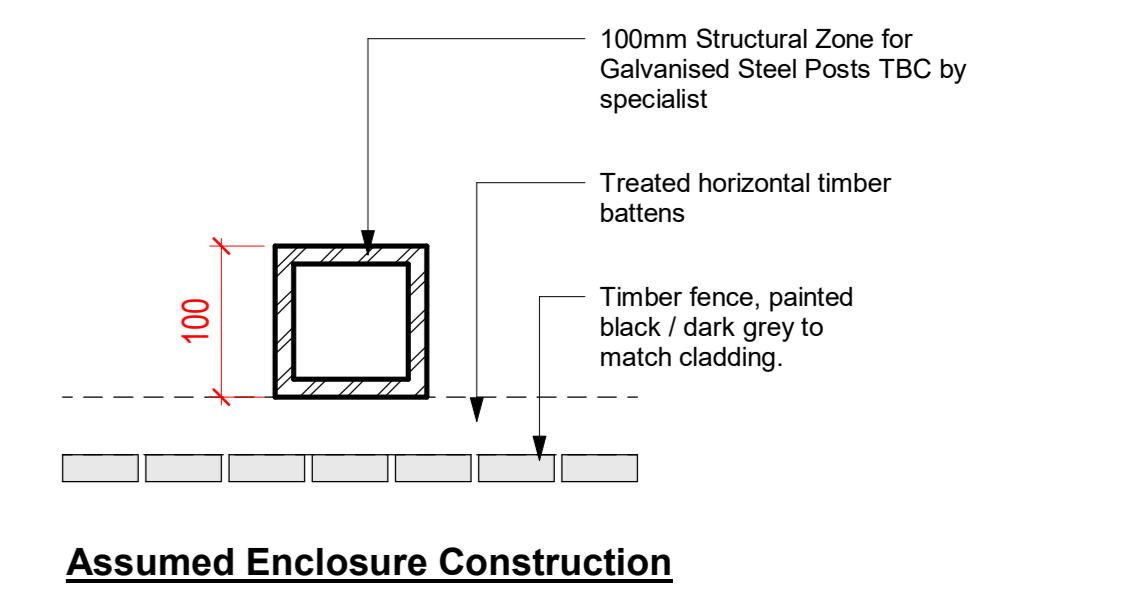
4 Bin Store South Elevation
1:50



5 Bin Store West Elevation
1:50



6 Bin Store Section 1
1:20



Assumed Enclosure Construction



Existing parking identified for use



Proposed View 01



Proposed View 02

Rev	Description	Date	By	App. by
P1	First Issue for Planning	11/22/23	MD	DM
MD		11/27/23		DM

AHR
 AHR Architects Ltd
 55 Princess Street
 Manchester
 M2 4EW
 United Kingdom
 T +44(0)161 8297000
 E manchester@ahr.co.uk
 www.ahr.co.uk

client name
Cheshire West and Chester Council

project
Elesmere Port Market

drawing
External Bin Store

computer file
 2023_00227_000_P1.dwg

drawing number
2023.00227.000

drawing number
EPM-AHR-ZZ-00-DR-A-08401

issue status
P1 P1

This drawing is to be read in conjunction with all related drawings. All dimensions must be checked and applied as indicated before construction work or production shop drawings. The copyright should be retained irrespective of any discrepancy. This drawing is copyright and remains the property of AHR.