

PROPOSED AGRICULTURAL BUILDING
 LOCATED ON LAND AT THE OLD BARN, BOSULVAL, PENZANCE, CORNWALL, TR208XA

01

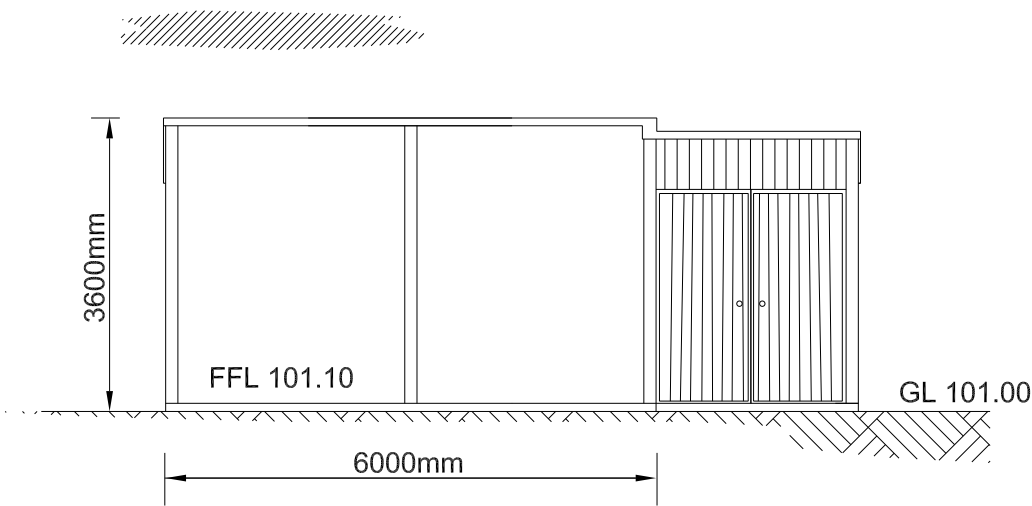
NOTES

These drawings have been prepared for the purposes of applying for Planning Permission only.

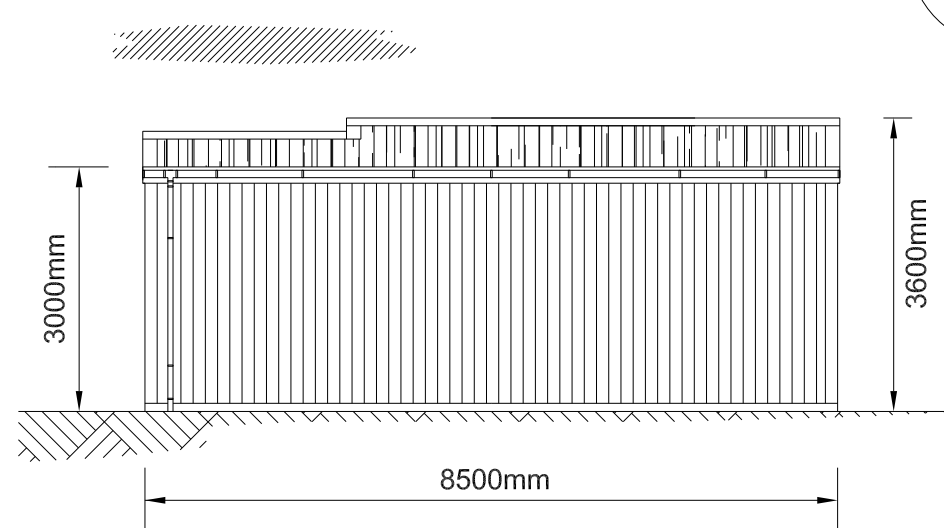
GENERAL NOTE

The proposed works are to erect a steel framed building covered with metal profile sheets colour "juiper green" to the external walls and "slate grey" profile sheets to roof.

The building will create a secure agricultural and general purpose building 8.50 x 7.00m in the paddock of The Old Barn, Bosulval Cornwall.

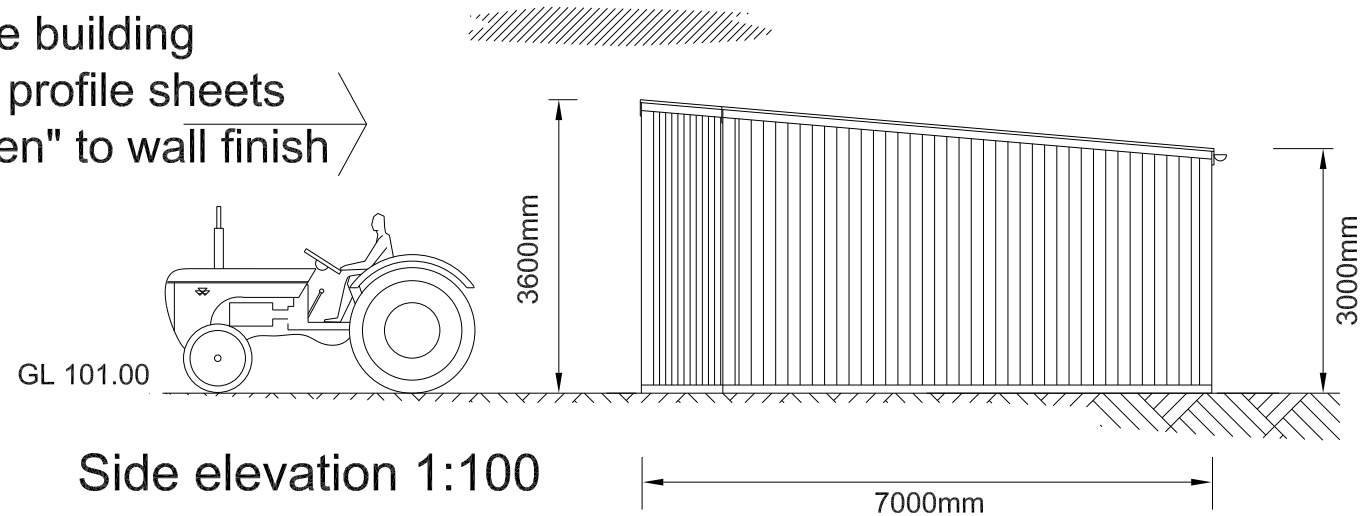


Front elevation 1:100



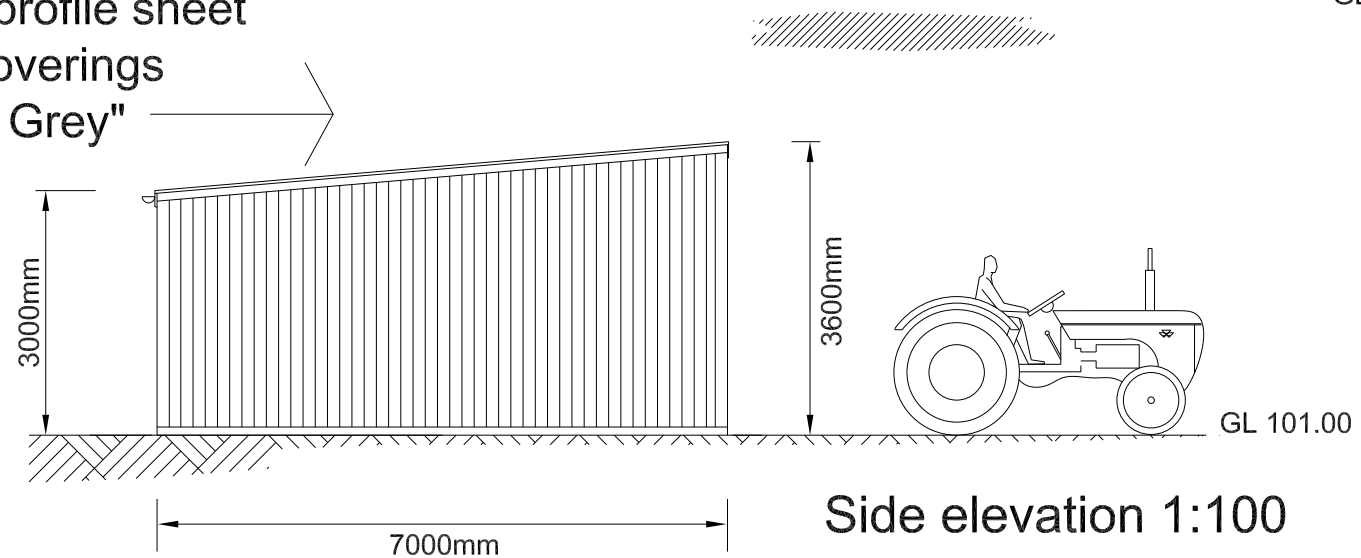
Rear elevation 1:100

Steel frame building with metal profile sheets "juiper green" to wall finish

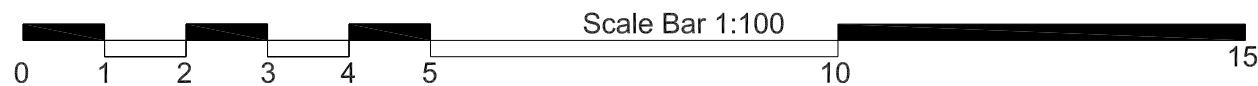


Side elevation 1:100

Steel profile sheet roof coverings "Slate Grey"



Side elevation 1:100



REVISIONS		
No.	Date.	
a	Nov 23	"do not scale" removed site levels shown

Scheme:
 Proposed Agricultural Building located on land at The Old Barn Bosulval Penzance Cornwall TR20 8XA

Drawing:
 Proposed Elevations

Job No: Bos/02 Date: Oct 23 Scale: as shown

Dwg.No: 01a