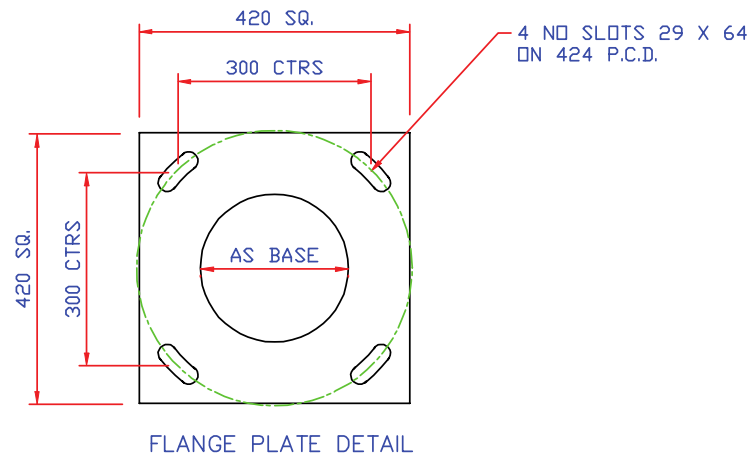


DOOR c/w EARTH TAG & M8
BRASS EARTH BOLT, NUT
& 2 WASHERS

BASE COMPARTMENT:
EARTH CLIP & M8 BRASS
EARTH BOLT
NUT & 2 WASHERS
HARDWOOD BACKBOARD 686 x 108

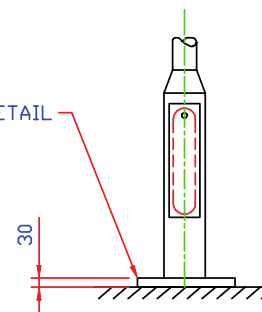
DOOR APERTURE
600 x 115

CABLE SLOT
150 x 75



FLANGE PLATE DETAIL

SEE FLANGE PLATE DETAIL



| | |
|--|---|
| Detail of change: | |
| Detail of change: | |
| Detail of change: | A Updated to current spec 30-09-2008 RH |
| © ALL RIGHTS RESERVED KINGFISHER LIGHTING LTD 2008 | |


 KINGFISHER LIGHTING LTD
 RATCHER WAY
 CROWN FARM INDUSTRIAL PARK
 MANFIELD
 NOTTINGHAMSHIRE
 NG19 0FS

| | |
|--|-------------------------------|
| Title: 10CT114 Column | |
| Drawn: RJH | Drawing No: KL 3179 |
| Date: 30/09/2008 | Issue: B |
| Material: <i>All dimensions in mm (unless otherwise stated)</i> | |