



Kingfisher

SPORT

Part of the LUCECO group of companies

Datasheet

Amnis Match



Specification Text

The luminaire shall be manufactured from high pressure die-cast aluminium. It shall have an LED efficacy of up to 145 luminaire lm/W and will be capable of producing up to 99,000 luminaire lumens at 4000K with a CRI >70. It shall have an asymmetric forward throw optic and is rated at IP66 and IK08.

For IDA Accredited Specification add: The luminaire shall produce a CCT of 2700K with a fixed bracket mount.

Specification

Weight:

Fitting: 23.7 kg
Driver: 8.0 kg

Fitting with integral driver: 16.7 kg

Windage: 0.19m²

Material: Die-cast Aluminium

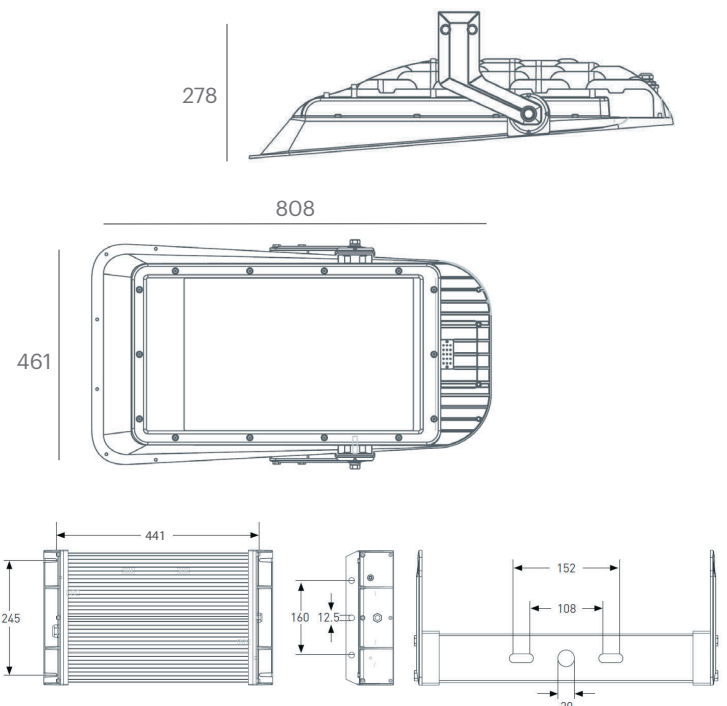
Paint Finish: Marine Grade
Powder Coated
Anthracite Grey

Key Features

- 450W - 665W
- 59,000 - 99,000 Luminaire Lumens
- Efficacy up to 145 lm/W
- 2700K, 4000K
- CRI >70, CRI >80, CRI >90
- Lifetime >100,000hr
- Asymmetrical
- Driver options
- Marine grade paint



Dimensions



All measurements in mm

Optics

