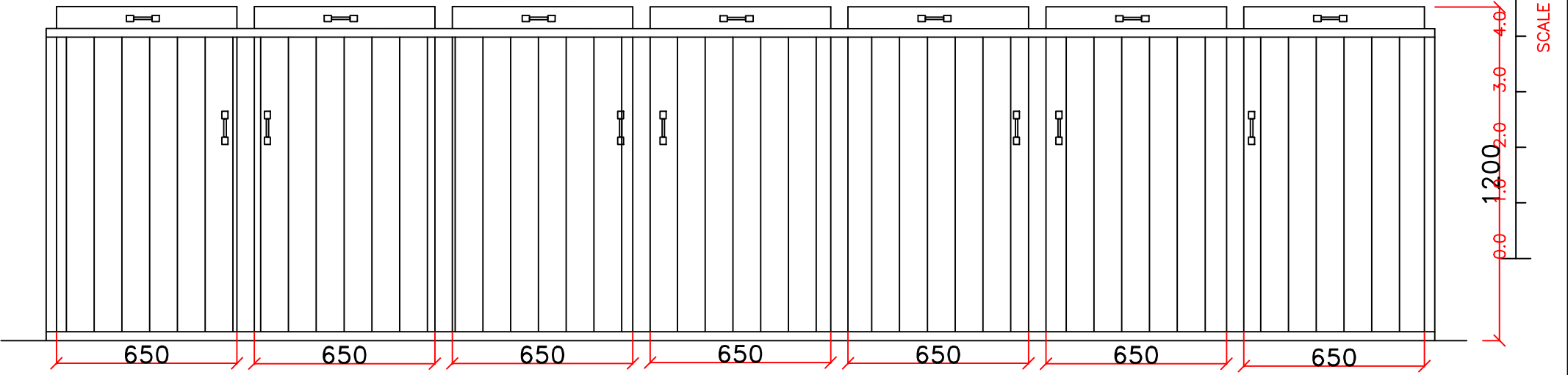
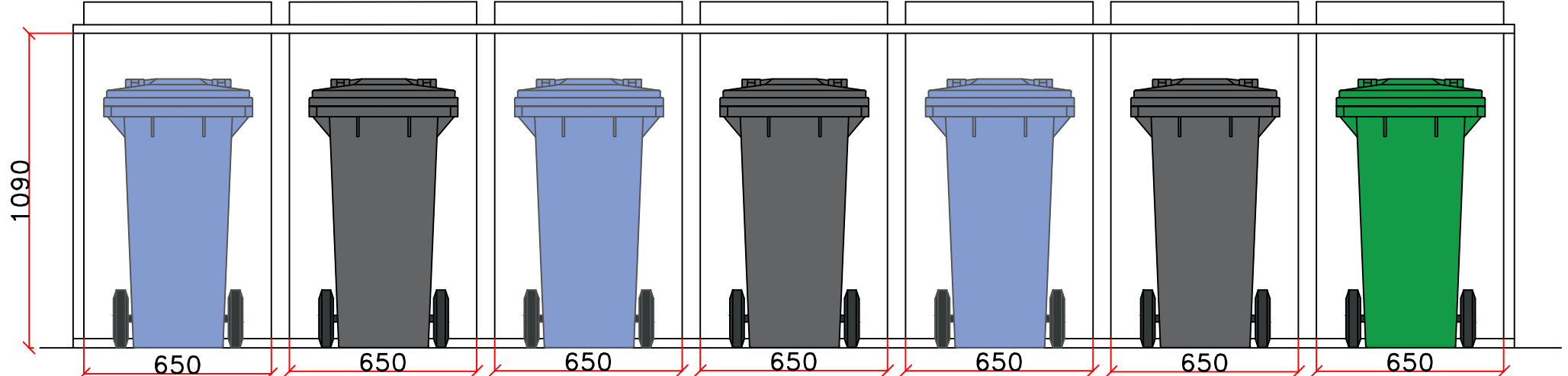


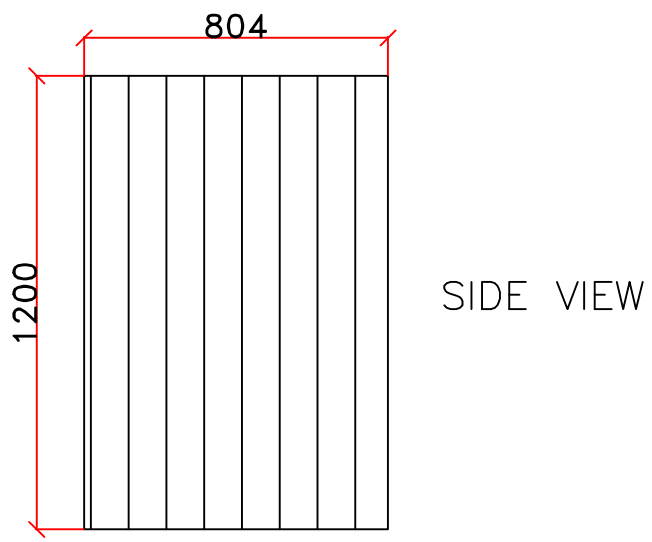
PLAN



FRONT ELEVATION



SECTION



SIDE VIEW

SCALE BAR 1:100

CONDITION 8 DETAIL:
 DETAILS OF THE ENCLOSURE AND SCREENING
 OF THE REFUSE AREA

SC.1:20

NOTES:

1. ALL DIMENSIONS ARE IN CENTIMETERS UNLESS OTHERWISE NOTED.
2. THIS DRAWING IS THE COPYRIGHT OF LOTUS ENGINEERS LIMITED AND MAY NOT BE COPIED OR REPRODUCED IN ANY WAY OR PASSED TO A THIRD PARTY WITHOUT PRIOR WRITTEN AUTHORISATION.

SITE: 28 CHEVIOT GARDENS, LONDON NW2 1QE, UK			
PROJECT NAME: CONVERSION TO THREE SELF-CONTAINED FLATS			
DRAWING TITLE DETAILS OF THE ENCLOSURE AND SCREENING OF THE REFUSE AREA			
DRAWING No. LCENG-DRG-606-28-NW2 1QE			
STATUS PLANNING			
DATE:	07.12.2023	REV.:	0
DRAWN:	AM		
SCALE:	1:20	SIZE:	A3
SHEET:	6/7		

LOTUS
 CHARTERED ENGINEERS

336 Ballards Ln, North Finchley, London N12 0EY
 T: +44 (0) 2081 231 070
 E: Info@LCEng.co.uk
 www.LCEng.co.uk