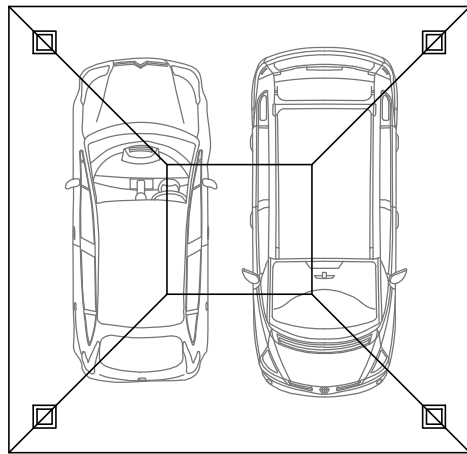


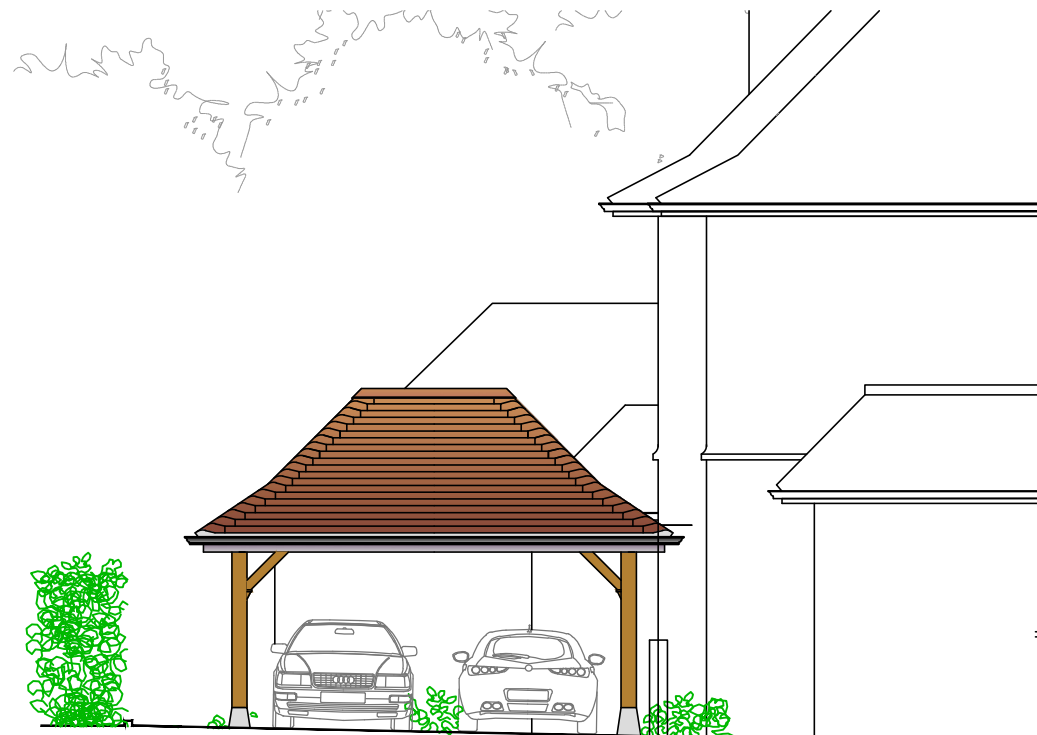
Elevation South



Plan

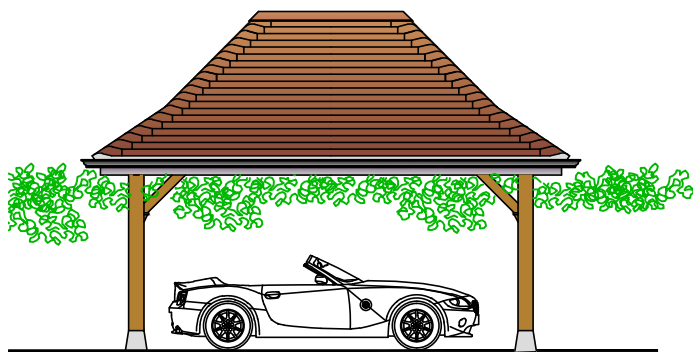


Elevation East



Elevation north

5m  
0m  
1/10 scale



Elevation west

Materials

- Clay tile roof to match main house with bonnet hips
- False tile ridge
- Steel posts clad in oak with oak brackets
- Stone shoes to posts
- Black rainwater goods / ogee guttering
- Stained black sw fascia

Revision			

Planning Application

Proposed Carport  
7 Upper Golf Links Road  
Broadstone  
Poole  
Studio MODA Ltd Architects  
5 Whitefield Road Lower Parkstone Poole Dorset BH14 8DD  
m 07914 096118 t 01202 721545 e office@studiomoda.co.uk



Drawn: October 2023 Scale 50 100 @ A3