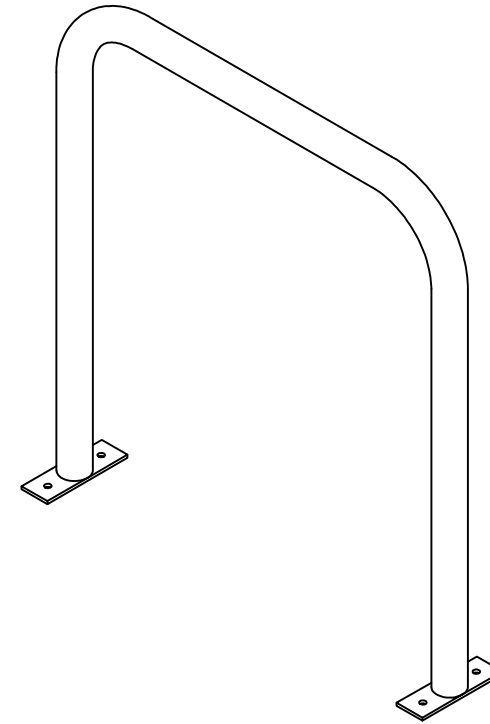
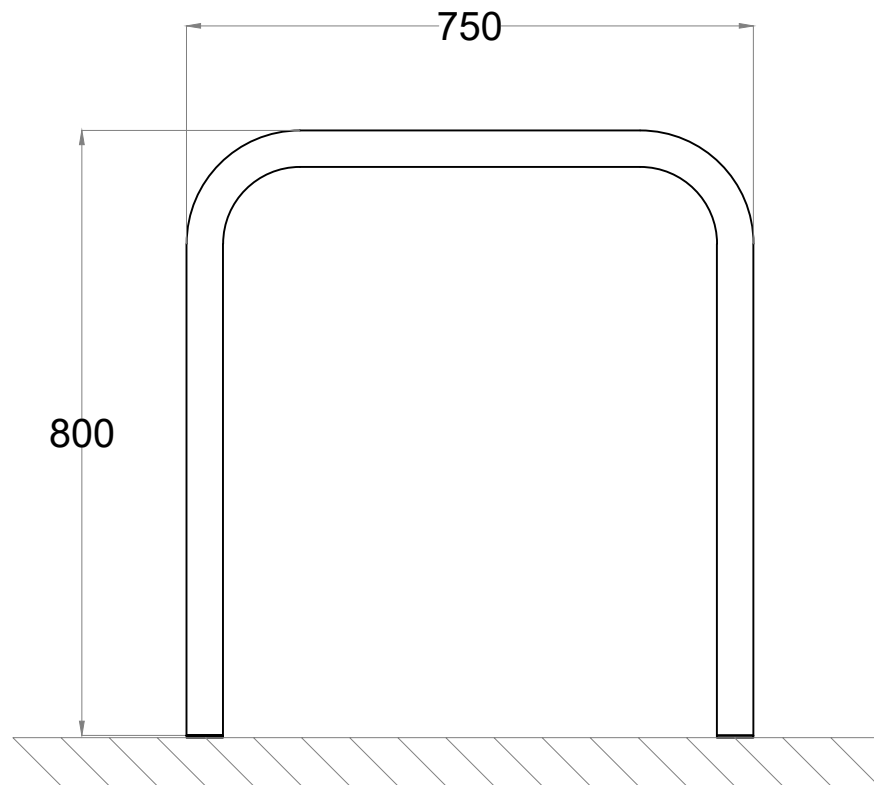


Plan View



Side Elevation



Front Elevation

48

~Typical Sheffield Stand Surface Mounted~

Typical Semi Vertical rack detail based on 6-space modules

Product:	Sheffield Stand
Quantity:	13 Units
Tube Dia:	48.3 mm
Material:	Mild Steel
Finish:	Galvanised
Colour:	N/A
Fixing Method:	Surface Mounted
Fixing:	M10 Anchor

Number of bicycle places: 19

08	OV	1-Dec-23	Claritas Group
Rev No.	Drawn By	Drawn Date	Client Name
First Issue		17.01.2023	



Project Title  
Premier Place

Drawing Title  
Sheffield Stand Cycle Rack

Drawing Number  
24343-TUR-DR-08-05

Drawing Scaled from PDF  
All dimensions in mm

Turvec Reference 24343	Drawing Scale 1:10 @A3	Page Number 05
---------------------------	---------------------------	-------------------