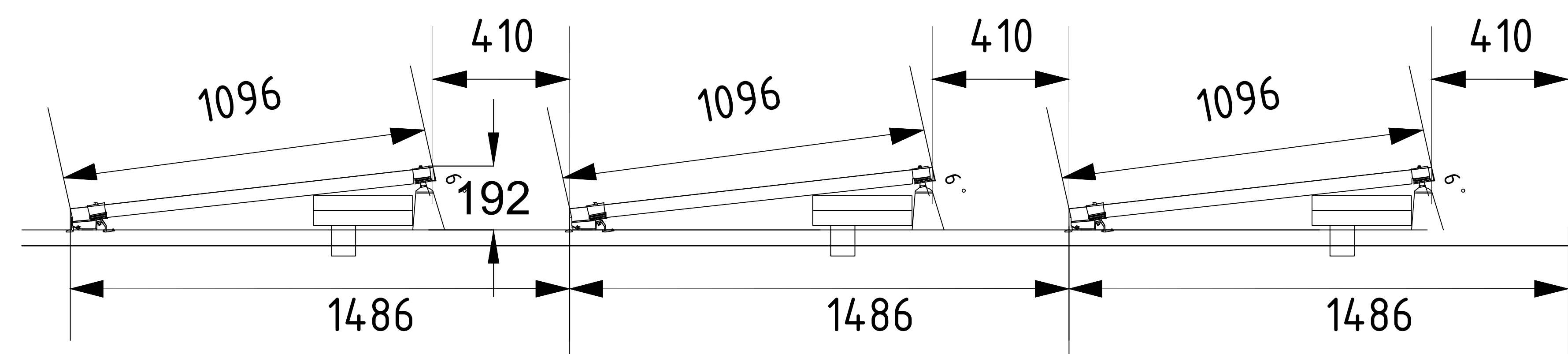


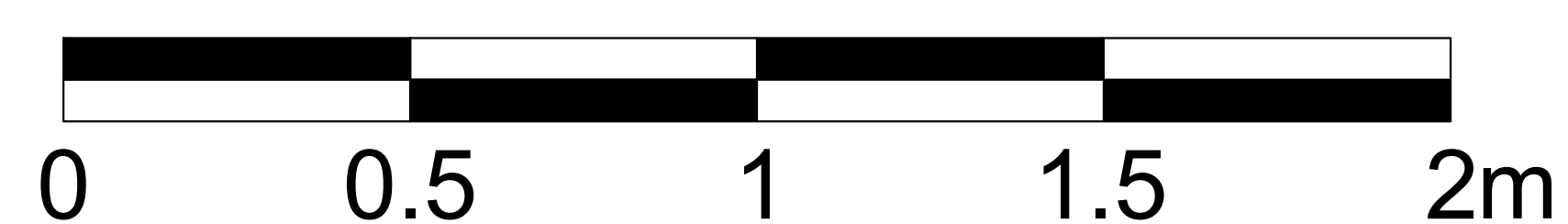
SOUTH FACING PANELS 6 DEGREE PITCH & 410mm SPACING



- USE MARKED DIMENSIONS
- DO NOT ALTER THIS BY HAND
- THIS DRAWING IS TO BE READ IN CONJUNCTION WITH ALL OTHER RELEVANT DRAWINGS AND SPECIFICATIONS
- ALL DIMENSIONS ARE IN MILLIMETERS UNLESS STATED OTHERWISE

NOTES
Dimensions in mm
See 33176-SYZ-DR-101- Solar PV Layout V1 for locations of panels pitched S.

SCALE



PROJECT	33176 FedEx Dartford	DRG. NO.	33176-SYZ-DR-03 Flat-to-roof Dimensions V1
ADDRESS	FedEx Dartford Central Rd North, Dartford DA1 5XA	REVISION	1
		SCALE	1:10
		DRAWN BY	HC
		ISSUED	11/2023
TITLE	Typical Flat-to-Roof Solar PV Installation Elevations	CHK'D BY	JF
		APV'D	ME



SYZYG Y CONSULTING LIMITED
4-8 WHITES GROUNDS
LONDON
SE1 3LA
T: +44 (0) 20 7193 6040
www.syzygyconsulting.eu