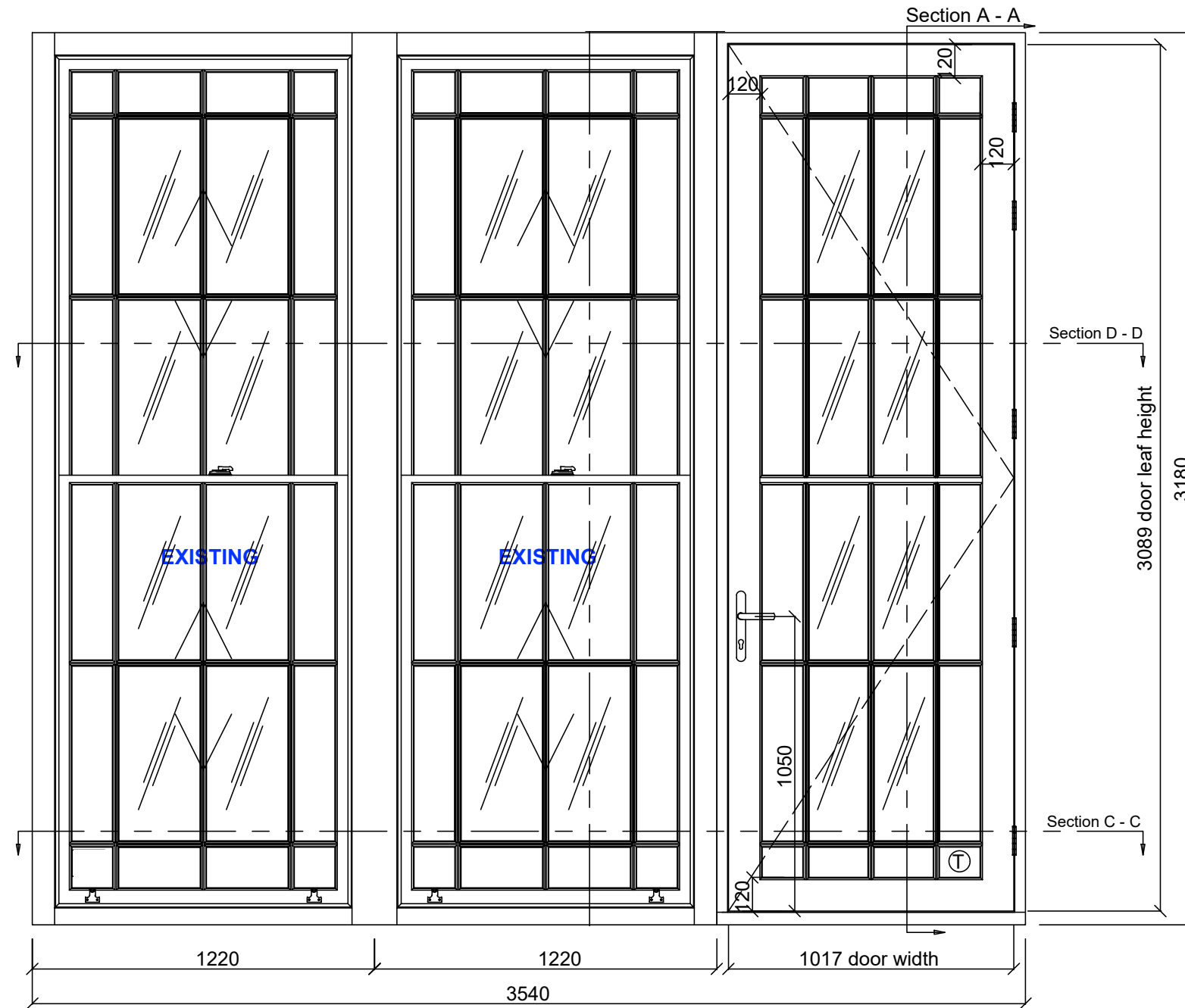
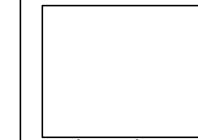


DOOR, WINDOW ELEVATION INTERNAL



Window Ironmongery:

-sash pulleys



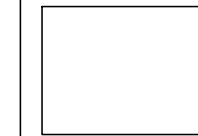
-sash cord



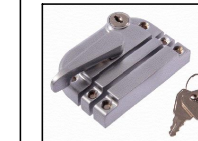
-sash lift



-sash handle



-sash fastener



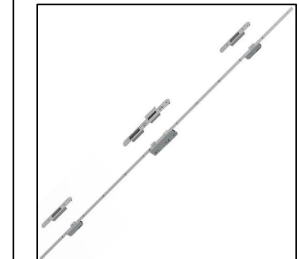
-seal AQ109



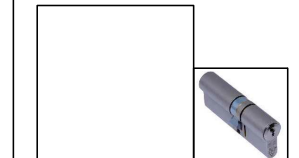
* All ironmongery for drawing purpose only

General Notes

- Wood:
- Hardwood
- Finishing:
- Spray painted outside/inside RAL 9016 matt finish
- Glass:
- Door 6/12/6 softcoat clear toughened, DGU, white swisspacer, argon gas U=Value 1,3 W/m2K
- Window 4/16/4 softcoat clear only bottom toughened, DGU, white swisspacer, argon gas, U=Value 1,2 W/m2K
- Door Ironmongery:
- door multipoint lock TBC



- door handle, cylinder



- door hinges



- seal SPV124-18, water bar



* All ironmongery for drawing purpose only

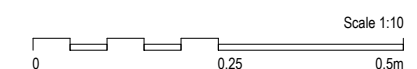
A	For approval	27/06
No.	Revision/Issue	Date

DRAWN PS

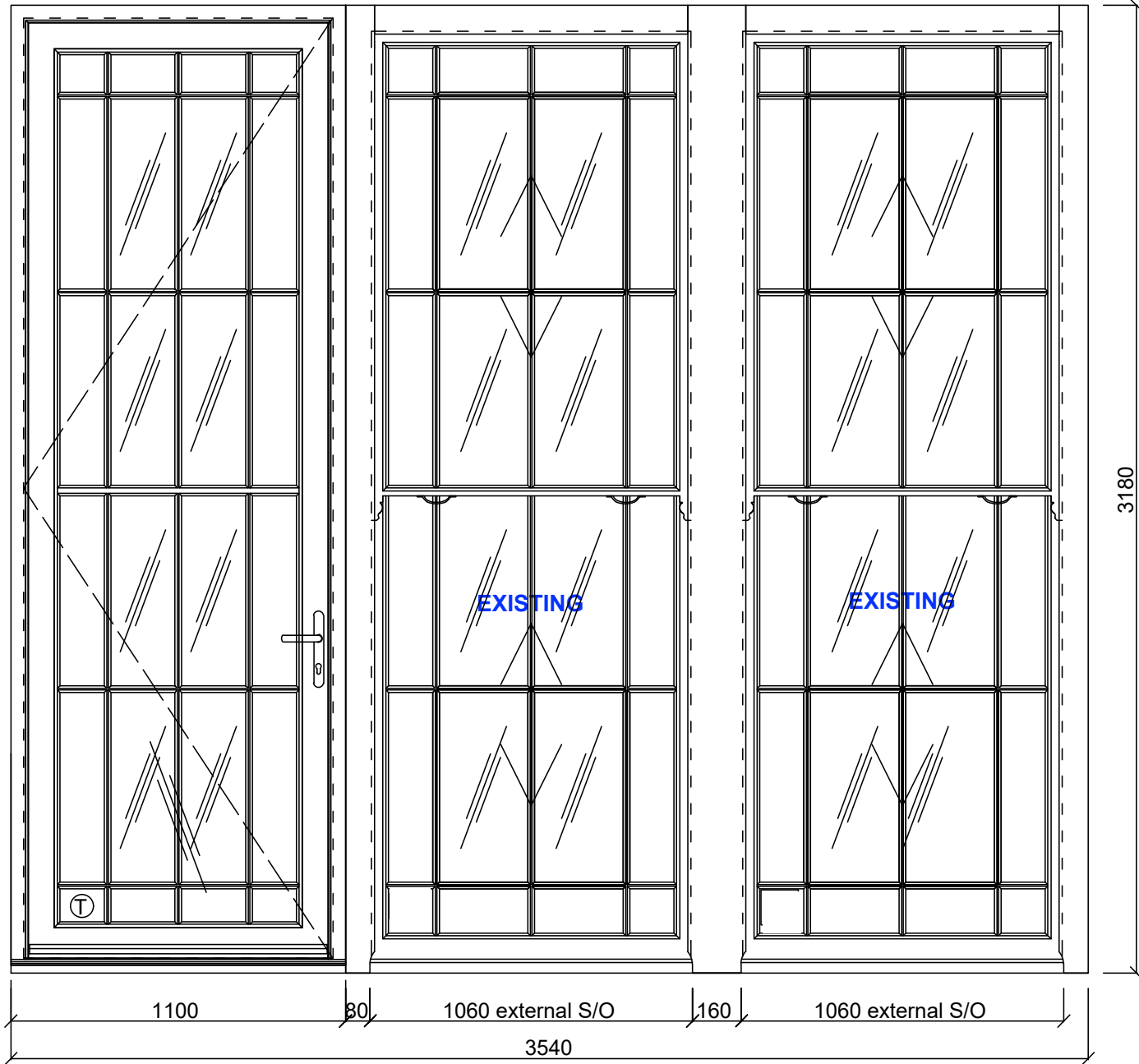
Project Name and Address
72 Chester Square

Drawing title
DOOR, WINDOW ELEVATION INTERNAL

Project	Sheet
Date 27 / 06 / 2023	01 / 06
Scale 1:10 @A3	



DOOR, WINDOW ELEVATION EXTERNAL



General Notes

* All ironmongery for drawing purpose only

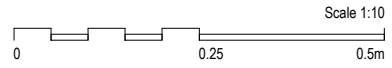
No.	Revision/Issue	Date
A	For approval	27/06

DRAWN PS

Project Name and Address
72 Chester Square

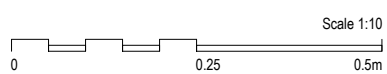
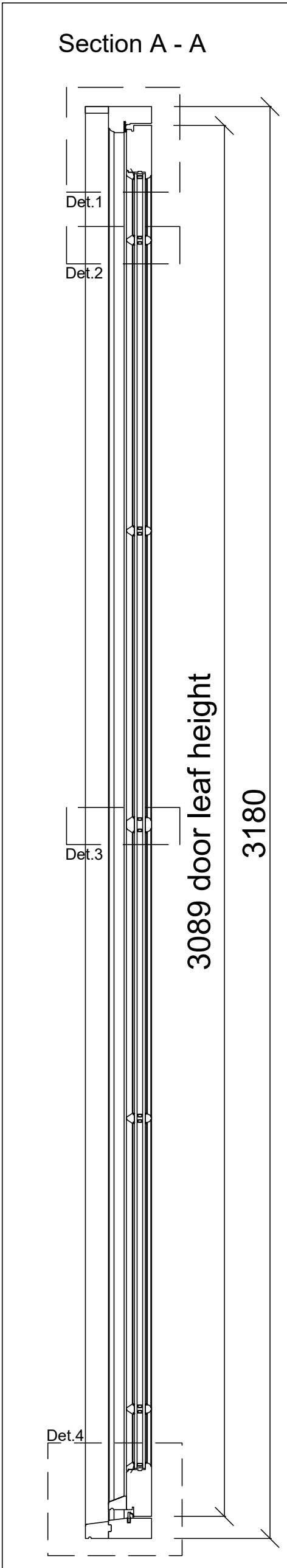
Drawing title
DOOR, WINDOW ELEVATION EXTERNAL

Project	Sheet
Date 27 / 06 / 2023	02 / 06
Scale 1:10 @A3	

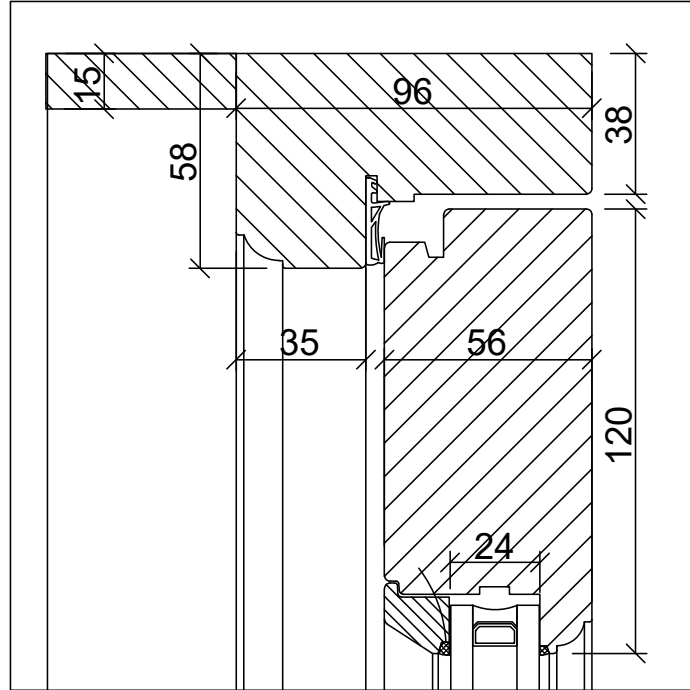


DOOR, WINDOW DETAILS 1

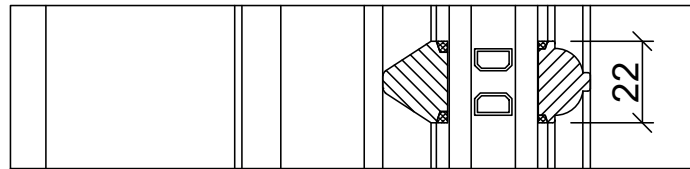
Section A - A



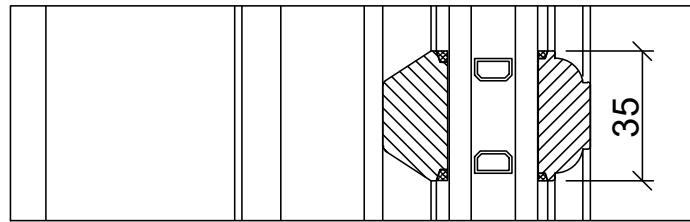
Det. 1



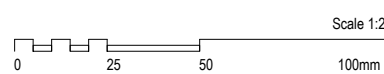
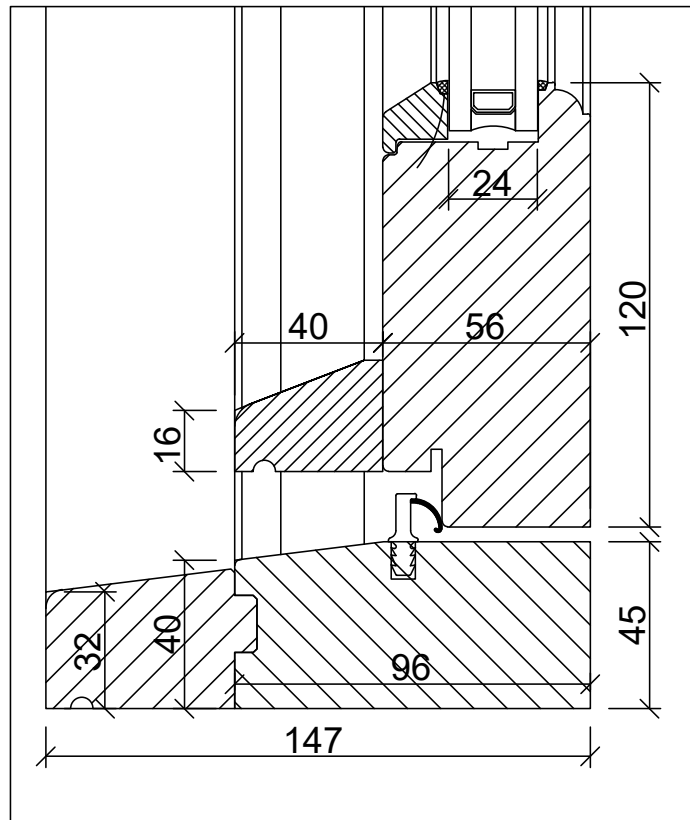
Det. 2



Det. 3



Det. 4



General Notes

* All ironmongery for drawing purpose only

No.	Revision/Issue	Date
A	For approval	27/06

DRAWN PS

Project Name and Address
72 Chester Square

Drawing title
DOOR, WINDOW DETAILS 1

Project	Sheet
Date 27 / 06 / 2023	03 / 06
Scale 1:10 @A3 Sections 1:2 @A3 Details	