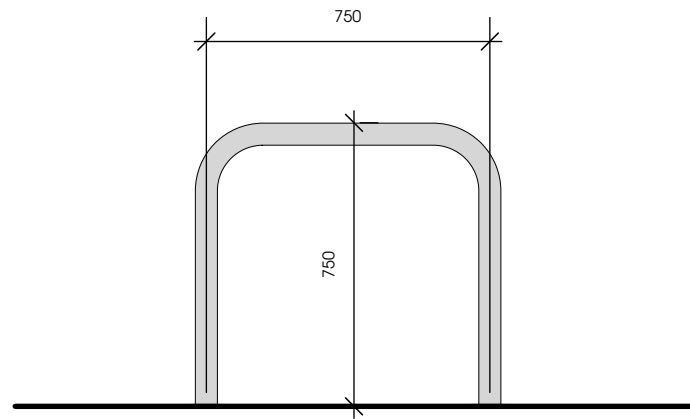
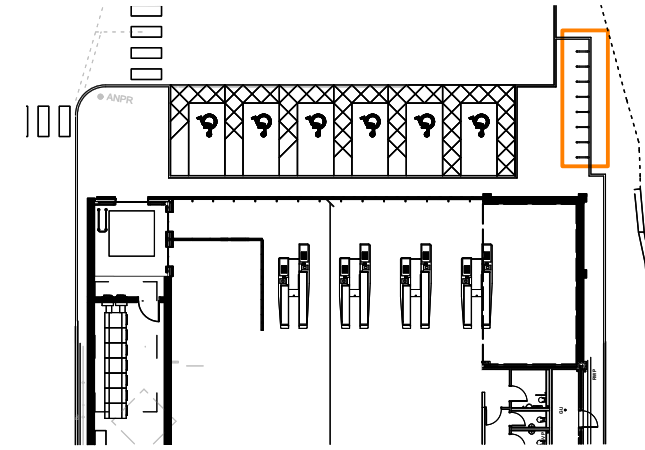


THIS DRAWING IS COPYRIGHT, AND REMAINS THE PROPERTY OF HTC ARCHITECTS. IT MUST NOT BE REPRODUCED, USED, DISCLOSED OR TRANSMITTED TO THIRD PARTIES IN ANY FORM, IN WHOLE OR IN PART, WITHOUT PRIOR WRITTEN PERMISSION.

ALL DIMENSIONS SHOULD BE CHECKED ON SITE BEFORE WORK COMMENCES

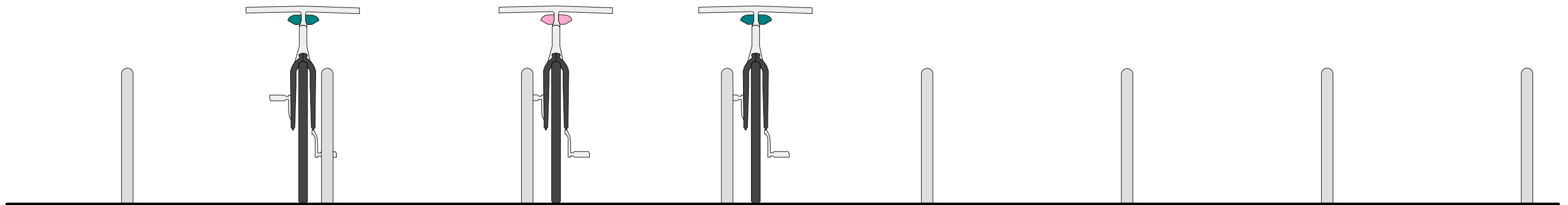


SIDE ELEVATION

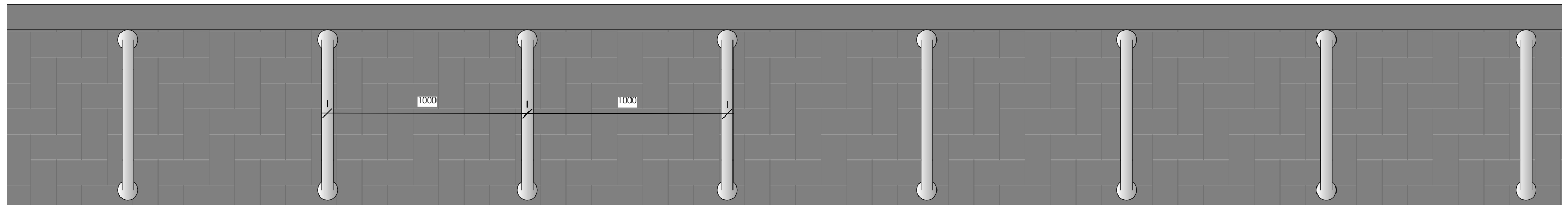


PARTIAL SITE PLAN

SCALE 1:500



FRONT ELEVATION



PLAN

**8 Sheffield loop bicycle parking accommodating 16 bicycles.**

Offering front and rear wheel bicycle security. Positioned across from glazed frontage for added visual security.

- +square arched design
- +Galvanised steel tubing bolt fixed/ submerged to ground finish
- +750mm height
- +750mm Width (c/s to c/s)

client



project

Lidl Extension  
Hill Top, Knottingley

drawing title

Cycle Parking Details

date December 2023

status Planning

scale 1:20 @ A3

drawn BM checked PH

job no. 2587 dwg no. P210 rev. /

Rev.	Date	Description	Drawn

htcarchitects

York Place Studio  
8 Britannia Street  
Leeds  
LS1 2DZ

T:(0113) 244 3457

W: www.htcarchitects.co.uk  
E: info@htcarchitects.co.uk