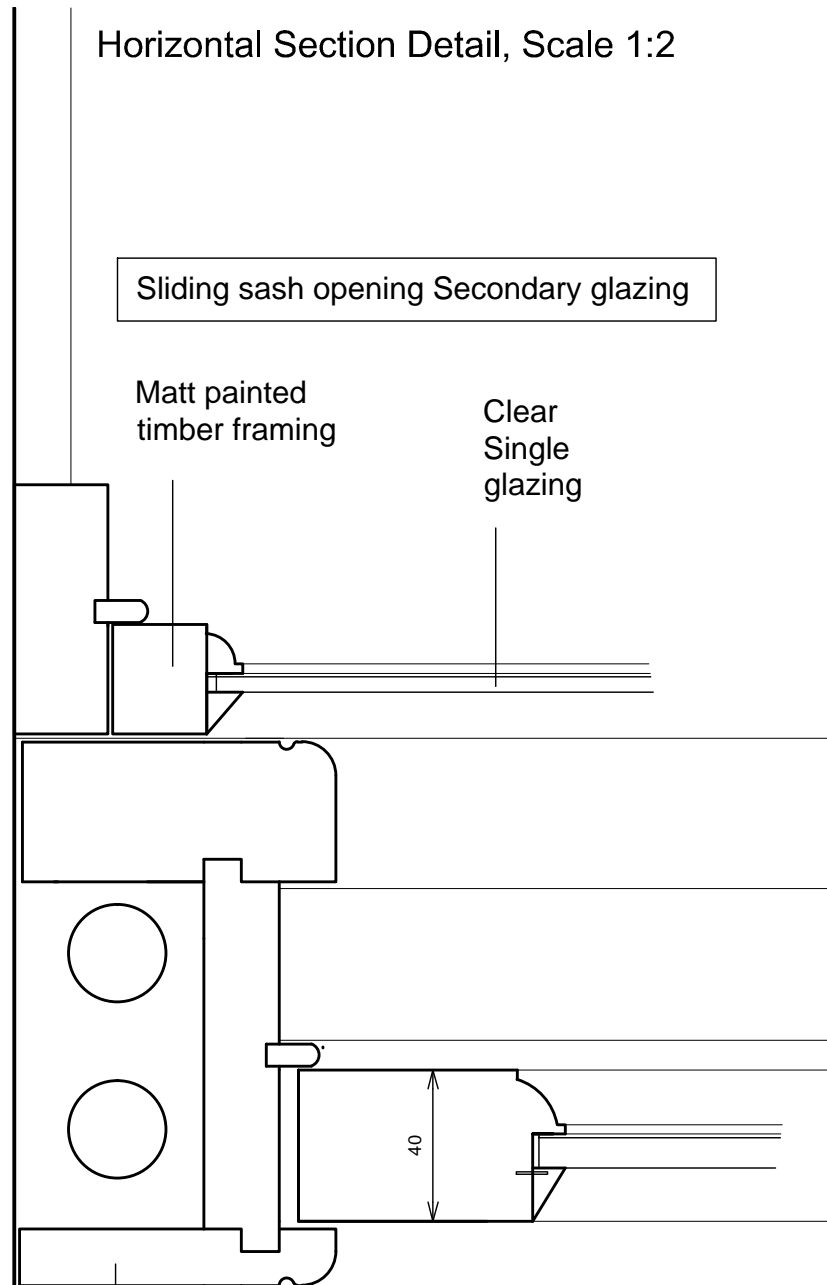
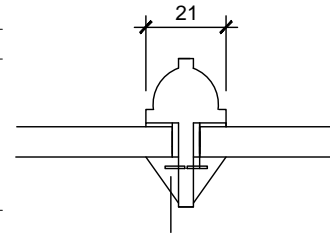
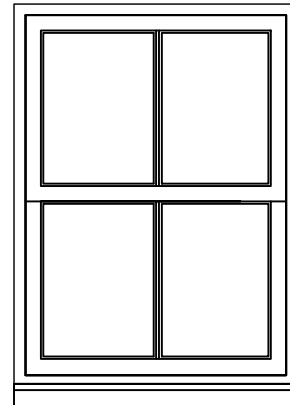


Horizontal Section Detail, Scale 1:2



Matt painted timber framing

Proposed North facing Sash Windows Elevations, Scale 1:20



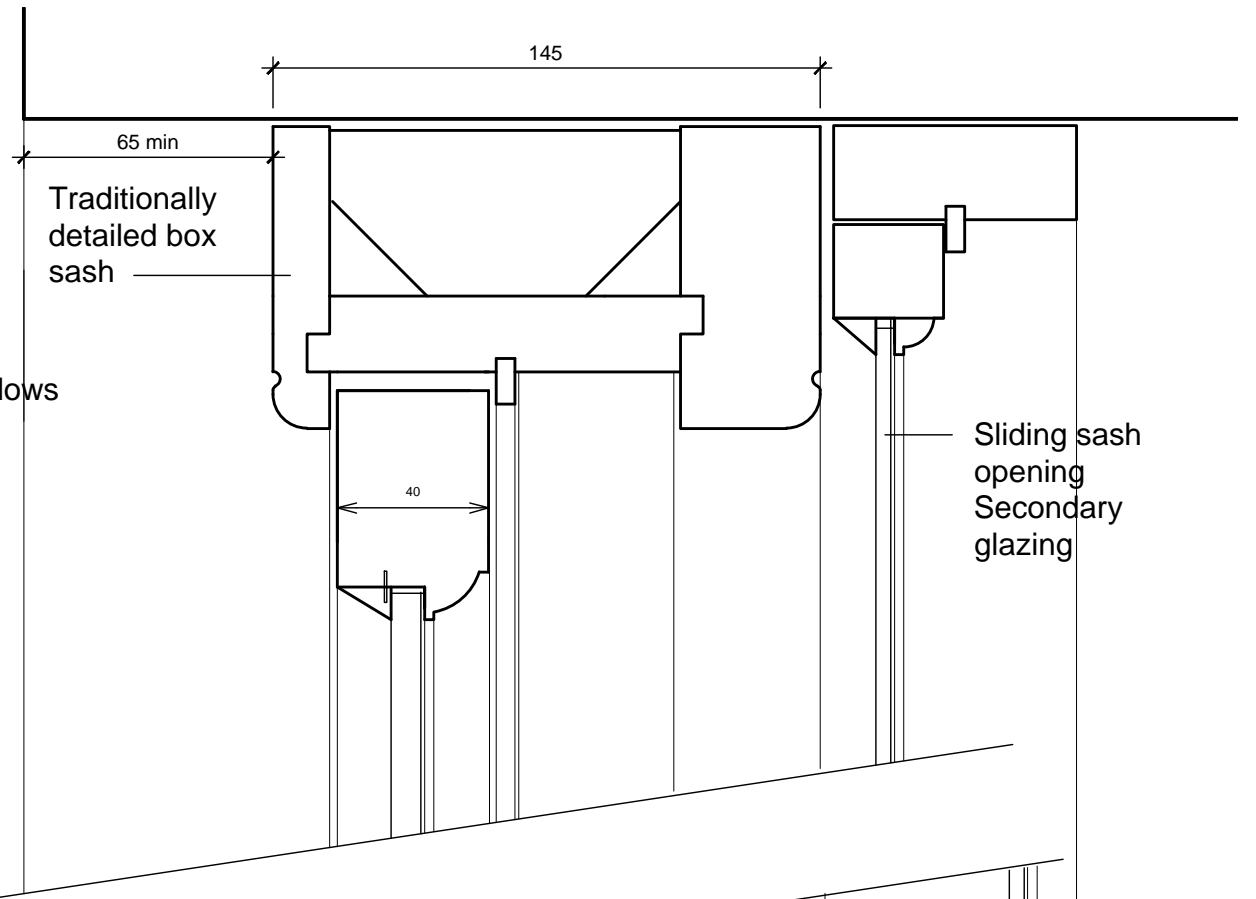
Putty fixing externally

Traditionally detailed box sash

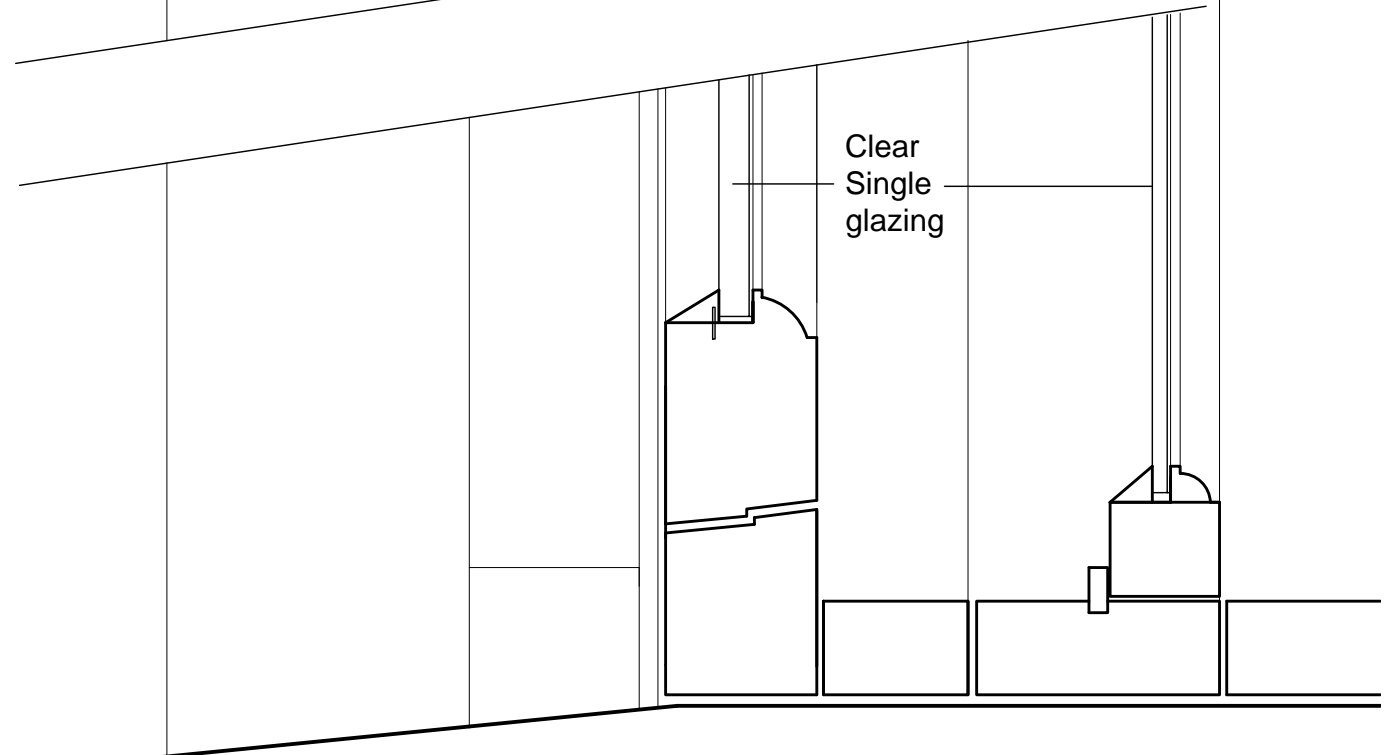
Paint Colour: Eggshell Off White

At present all north facing windows are modern and although single glazing and largely traditionally detailed they are either non opening - or hinged with modern top hung hinges.

The proposal is to convert these windows to working sash windows with secondary glazing so they may be used for ventilation when needed.



Vertical Section Detail, Scale 1:2



Revision Notes

REV - 21 11 2023 PLANNING AND LBC

Notes

Client

Mark Johnson  
Tollgate Cottage  
Shawford  
Beckington,  
Frome  
BA11 6SQ

Architect

Abi McGillivray  
Architecture  
7 Goose Street, Beckington  
Somerset BA11 6SS  
Tel: 01373 831585 / 07811438654  
www.amarchitecture.co.uk

Tollgate Cottage

Drawing Title

Proposed Joinery 03 - New Sash Windows

Scales  
1:200 @ A3

Date  
09 06 2023

Job Number Drawing Number Revision Status

238 052 - Planning