

Order Confirmation

Job No.	335767	Delivery Date	Not set
Order Date	30th October 2023	Sales Site	Crane At Narford

Invoice Address		Delivery Address	
Emma Burns 3 Cornwall Mansions 33 Kensington Court London W8 5BG		Emma Burns Dovecote Bushey Row Bampton Oxfordshire OX18 2JX	
Main Tel.	07831 134193	Main Tel.	07831 134193
Email	emma.burns@sibylcofax.com	Email	emma.burns@sibylcofax.com

Wiveton Summerhouse		
Roof Type:	Octagonal	
Building Size:	3.0 x 3.0	£23,350.00
Doors		
Number of Doors:		-
Doors:	Summerhouse Double Door RHM V3	£0.00
Windows		
Opening Windows:	8	£0.00
Double Glazing:	Yes	£1,200.00
Glass Type:	Leaded	£450.00
Interior Options		
Electrical Pack:	No	£0.00
Lining System:	Natural Matchboard Internal Lining	£0.00
Lining Colour:	Natural	£0.00
Floor Insulation:	Yes	£630.00
Door Furniture Material:	Polished Brass	£0.00
Roofing		
Roofing Materials:	Cedar Shingles	£0.00
Exterior Design		
Cladding:	Weatherboard	£865.00
Paint System:	Exterior	£0.00
Paint Colour:	Ash	£0.00
Adjustments		



Crane Garden Buildings, Narford Road, Narford
King's Lynn, Norfolk, PE32 1JA
narford@cranegardenbuildings.co.uk
www.cranegardenbuildings.co.uk
01760 444229

Colour matched paint - colour TBC	£298.00
Total	£26,793.00
Total Paid	£1,339.65
Balance Outstanding	£25,453.35

Invoice - Deposit

Invoice No.	226263
Invoice Date	Monday 30th October 2023

Invoice Address	
Emma Burns 3 Cornwall Mansions 33 Kensington Court London W8 5BG	
Main Tel.	07831 134193
Email	emma.burns@sibylcoifax.com

Quantity	Description	£
1	Wiveton Summerhouse as per specification	1,116.37
	Total excluding VAT	1,116.37
	VAT @ 20%	223.28
	Total including VAT	1,339.65

The balance of £25,453.35 is due and payable 28 days before delivery.

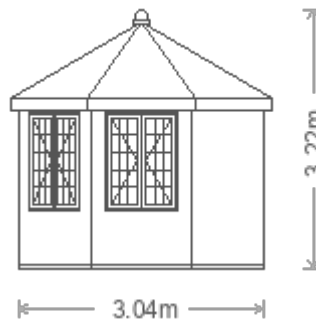
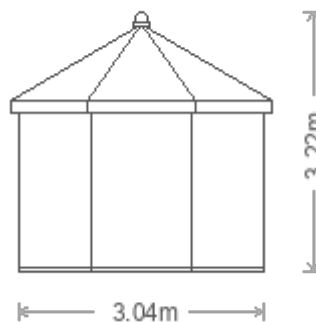
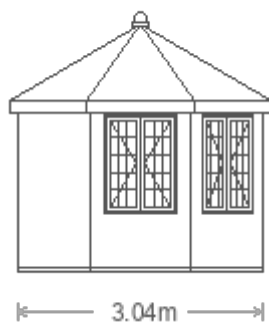
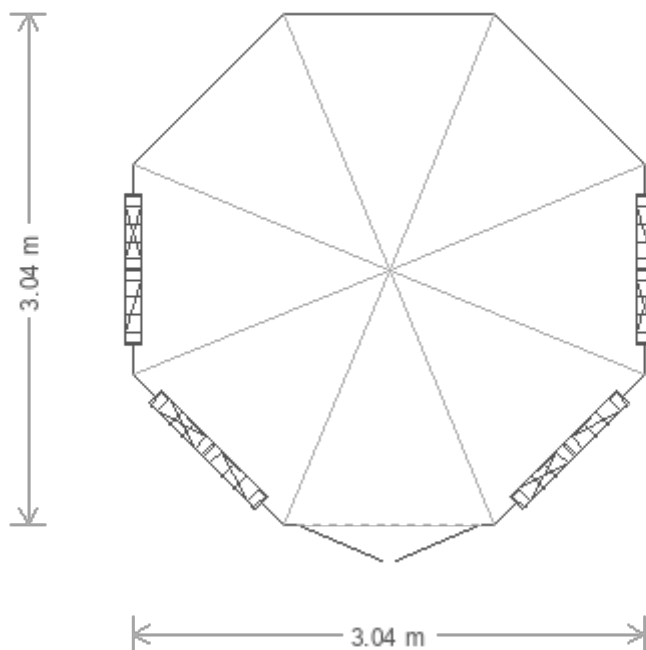
Terms of Payment

The balance of the invoice is due to be cleared by us no less than 28 days before delivery.

BACS Payment Details

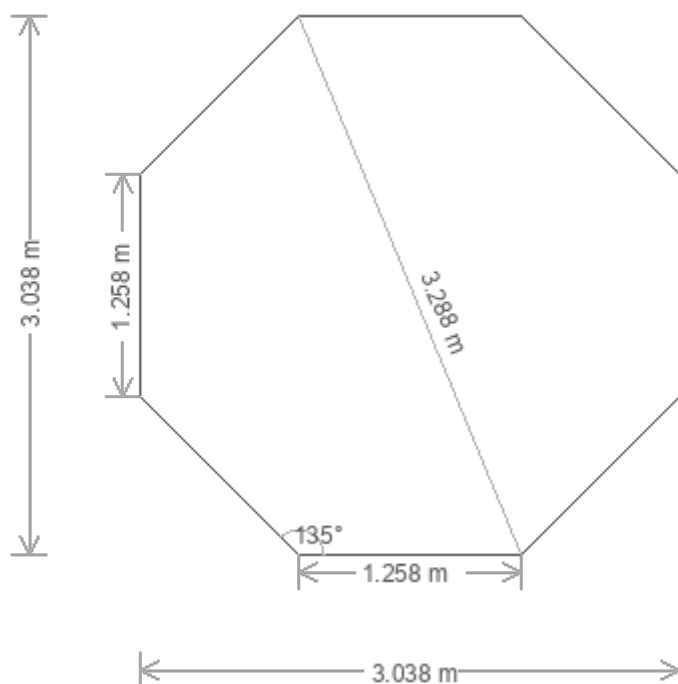
HSBC Bank
Account Name - Crane Garden Buildings
(This is a business account)
Sort Code - 40 26 11
Account Number - 51050796
Reference - (Please use your surname and invoice number)

Floorplan & Elevations



If any part of this sketch is incorrect please contact us immediately.

Base Plan to be given to your professional builder



For the longevity of your building, the single most important part of installation is the base. Bases must:

- Be level to a tolerance of no more than 6mm across the length, or we will not be able to install the building
- Be of the correct size and shape, using the above drawing for guidance
- Have a minimum of 30cm allowance from other buildings, fences etc.

We place a strong emphasis on the necessity of having a flat and level base because the base supports the building, creating distance between your building and surface water on the ground. If the base is uneven, your building will have problems, both in the short and long term. The door will start to become misaligned and will not shut properly, possibly creating other movements within the building structure.

We require a solid concrete base (which will include steel reinforcement within the mix), no less than 100mm deep. The base should always be a minimum of 50mm out of the ground to prevent surface water or puddles affecting your building e.g. rotting it.

If you intend to fully or partially surround the building base with hard paving, we strongly suggest the installation of a French drain between the paving and base to prevent rain bouncing off the hard surface and driving up under the building, which in turn could cause damp and rot. A French drain is a simple small trench, dug around your building and filled with aggregate that will allow surface water to drain away.

If you are supplying your own timber platform this should be flat, completely boarded, and able to support the weight of the building, plus allowances for occupants, furniture, and snow on the roof.

If you have any questions or concerns regarding your base, or you would like us to arrange a quotation for any groundworks, please call us on 01760 444229 to discuss your particular situation.