



BI-FOLDING DOOR



PRODUCT
SPECIFICATION GUIDE



BI-FOLDING DOOR

Specification and dimensions

Slim, beautiful sightlines

- Attractive, slim-line profiles with industry leading sightlines.
- Low profile integrated threshold as standard.
- Concealed slavelock actuator for un-cluttered aesthetics (French door arrangement).
- Slim, aluminium adjustable trickle air vents, colour matched to standard colour range.

Fast & easy installation

- Patented clip-in internal glazing beads, the only aluminium clip-in bead which can be removed quickly without damaging the paint finish. Wedge gasket not required, cutting down on installation time.
- The door is pre-assembled and ready to glaze, easy build kit-form option.
- Pre-assembled panels are fabricated using strong, bonded and crimped mitred corners.
- Well thought out packaging with compartmentalised installation parts box.

Strong and secure

- Fuhr hook locking mechanism with 'lift-up' to lock handle and adjustable, one-piece keep.
- 5 or 7 traffic door locking points. (2 extra shootbolts when sash taller than 2260mm)
- Yale 3 star kite-marked cylinder as standard.
- Anti-backdrive secondary shoot-bolt locking on folding doors with fibre reinforced guides.
- Low angle folding door shootbolt handle requiring only 120° of rotation. Secure even if left unlocked.
- Stainless-steel fixings, rails, hardened wheels and articulated sealed rail bearings for class leading rolling smoothness and long life.

Thermally efficient

- Wide polyamide thermal breaks and fully thermally broken profiles and locking mechanisms.
- High performance QLon, EPDM and sealed brush-pile weather seals.

Performance

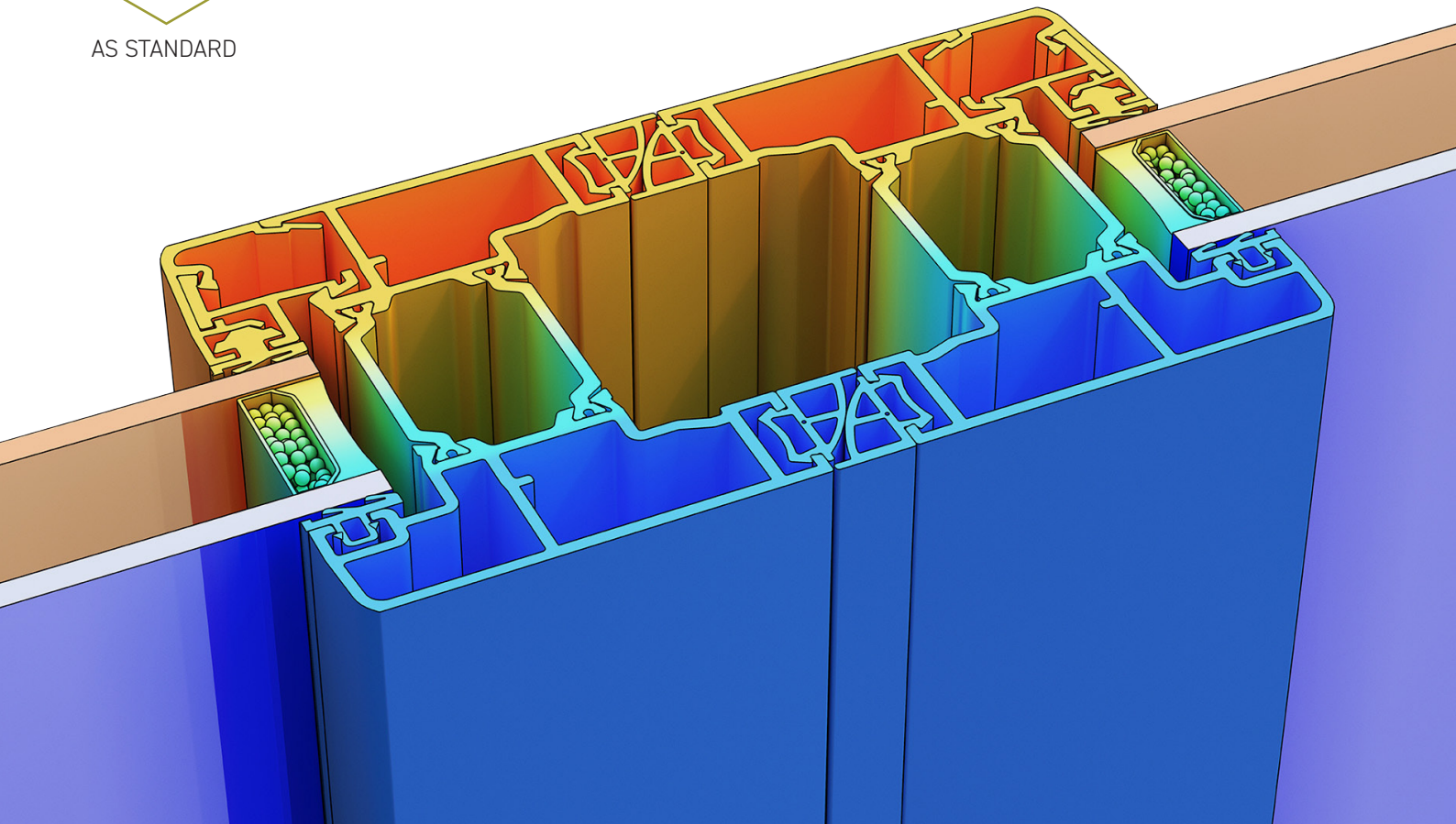
- U Value : from 1.5 W/m²K
- Air permeability : class 2, 300Pa
- Water tightness : 7A
- Resistance to wind load : 1200Pa
- Document L compliant
- PAS 24:2016 enhanced security rated
- BS 6375 compliant
- Passed 50,000 traffic door + 10,000 folding cycles

Dimensions

- Frame depth 84mm
- Sash depth 75mm
- Glass 28mm double glazed units
- Max height: 2500mm (per sash)
- Max width 1250mm (per sash)
- Max sash weight: 120kg



AS STANDARD





BI-FOLDING DOOR

Colours

- Single or dual colour, marine quality polyester powder coat as standard.
- Matching, weather tested Korniche hardware in a range of finishes.
- Matching door magnet stops, trickle vents and end caps in standard range of colours.



White : RAL9910 (gloss)



Black : RAL9005 (matt)



Grey : RAL7016 (matt)



Grey : RAL7016 outer (matt)
White : RAL9910 inner (gloss)



Bespoke RAL colour
availability (gloss, satin or matt)



White : RAL9910 (gloss)



Black : RAL9005 (matt)



Grey : RAL7016 (matt)



Polished chrome finish



Brushed stainless
steel finish



Matching shoot bolt
on all colours



BI-FOLDING DOOR

Glass

High efficiency IGU (insulated glass units)

- Unit size : 28mm (4mm glass + 20mm spacer + 4mm glass)

Various glass options including :

- Planitherm total plus
(Low-E glass, warm edge spacer, argon filled)
(SF75 U value : 1.22 Wm²/K)
- Planitherm one
(Low-E Glass, Warm Edge Spacer, Argon Filled)
(SF75 U Value : 1.0 Wm²/K)

Low-E glass coatings

- Solar emissivity as low as 0.05
- Solar heat gain coefficient (g-value) down to 0.14

"Low-E coatings minimize the amount of ultraviolet and infrared light that can pass through without compromising the amount of visible light that is transmitted. When heat or light energy is absorbed by glass, it is shifted away by re-radiating outward from the glass surface."

Warm edge spacer technology

- Up to 2dB lower noise transmission
- Reduced condensation by up to 70%
- Tested down to -45°C and up to 85°C

"Warm edge technology has radically changed the window market by significantly improving thermal performance to reduce thermal conductivity, lower heat loss and improve energy efficiency."

Specifications subject to change. Other glass options available including laminated

Components



Folding door shootbolt key



Yale 3 star locking barrel

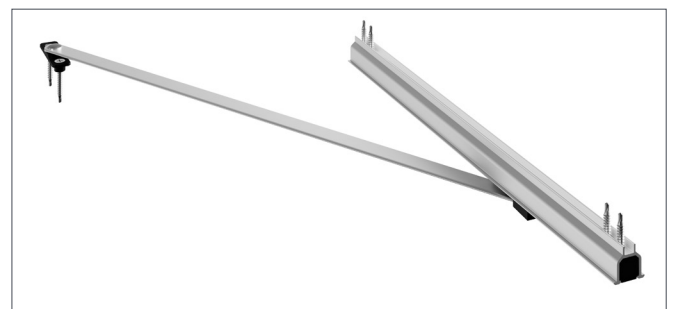
Yale 3 star key



Magnetic catch



Matching adjustable aluminium trickle vent - 2500mm²



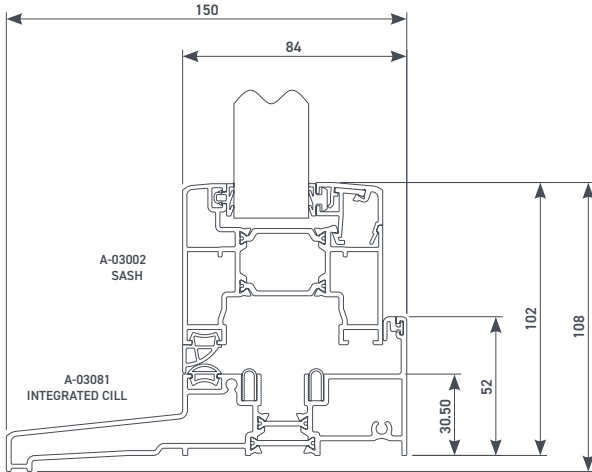
High strength traffic door restrictor mechanism



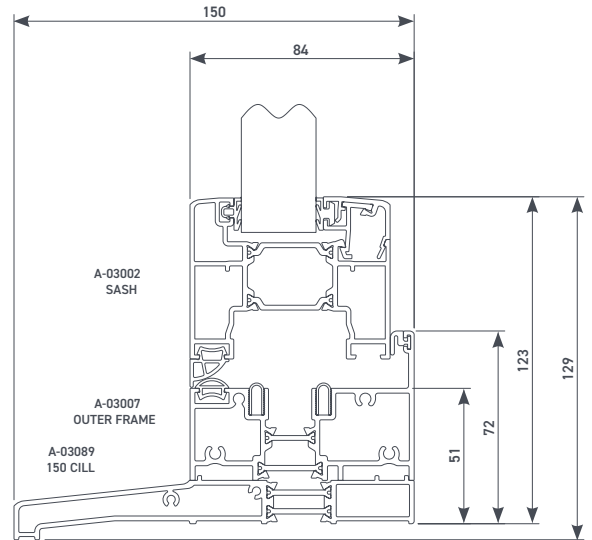
KORNICHE

BI-FOLDING DOOR PROFILE INFORMATION

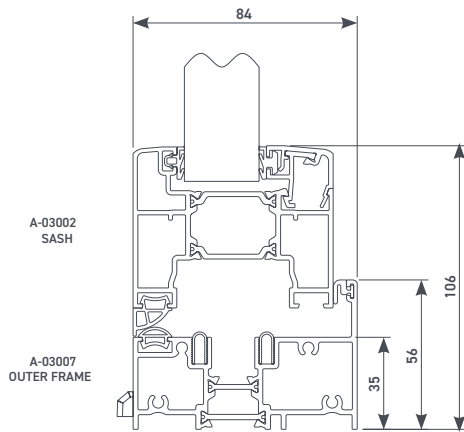
Dimensions



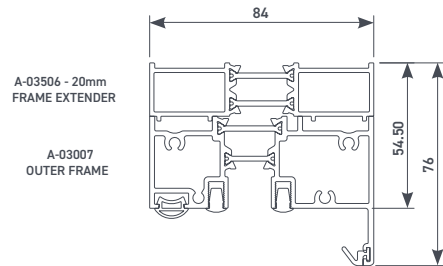
Integrated cill with sash profile



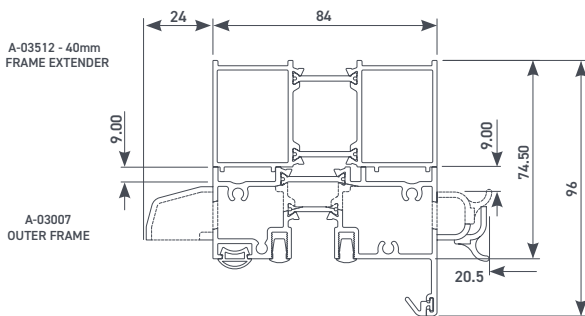
150mm cill with outer frame & sash profile



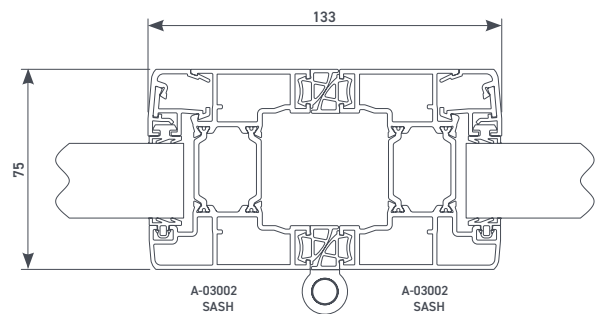
Standard outer frame with face drain



Standard outer frame with 20mm extender



Standard outer frame with 40mm extender & trickle vent



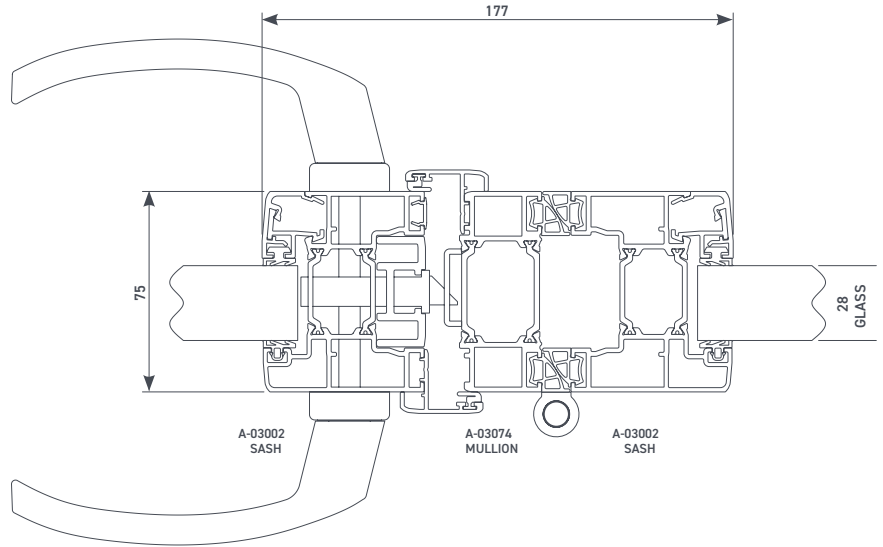
Sash to sash



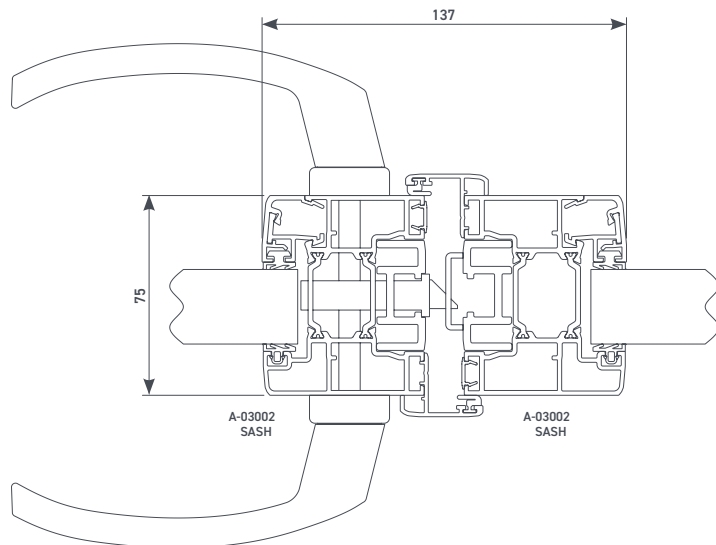
BI-FOLDING DOOR PROFILE INFORMATION

Dimensions

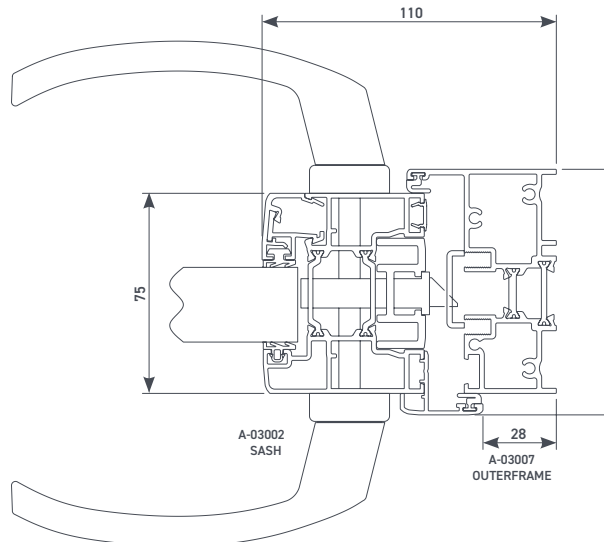
Traffic door connecting to sliding mullion



Traffic door to slave door (french door arrangement)



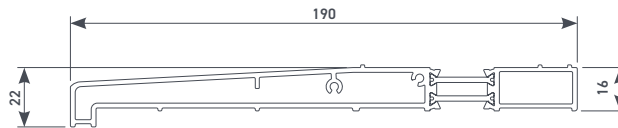
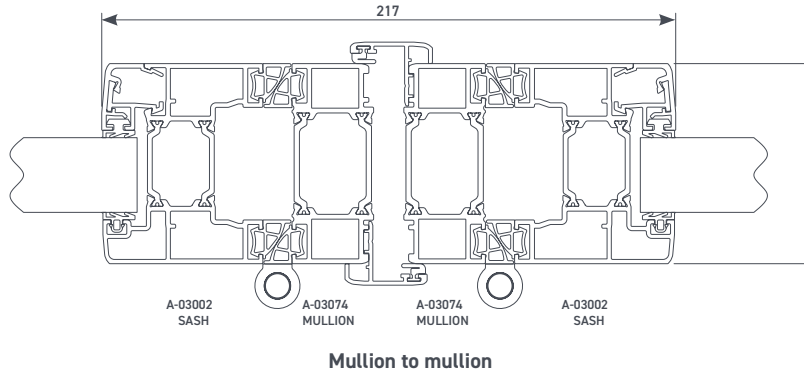
Traffic door to outer frame



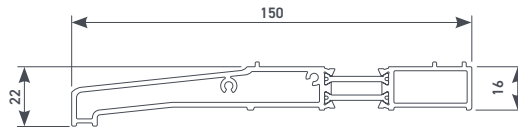


BI-FOLDING DOOR PROFILE INFORMATION

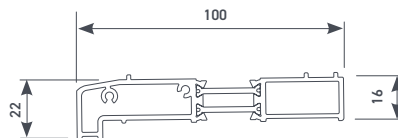
Dimensions



A-03090 - 190mm cill



A-03089 - 150mm cill



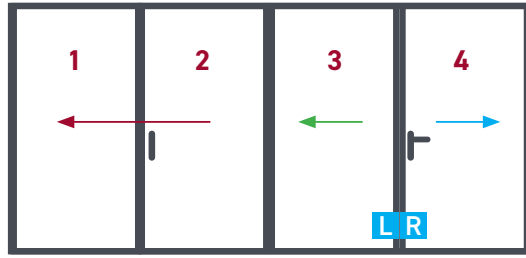
A-03088 - 100mm cill



BI-FOLDING DOOR CONFIGURATIONS

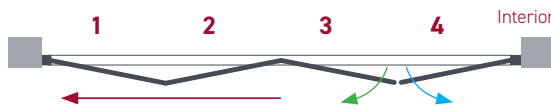
Outside View

Door style key



- Folding doors
- Slave door
- Traffic door
- LR Traffic door can be on the left or right

Opening out door set

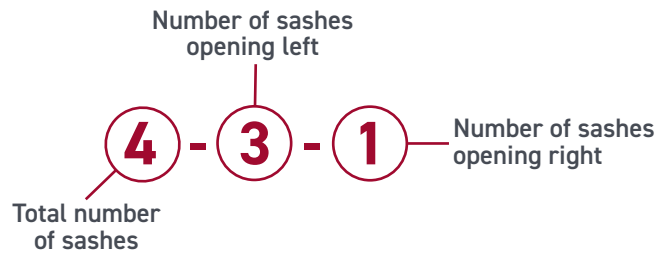


Opening in door set

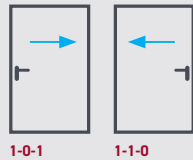


Viewed outside

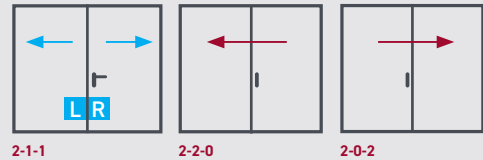
Configuration numbers explained



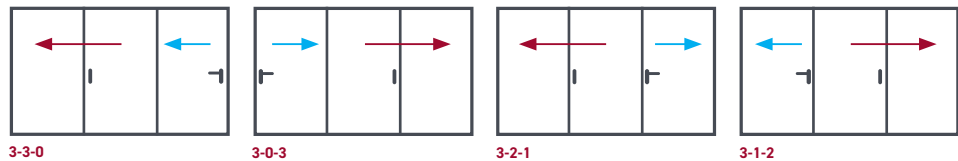
Single door



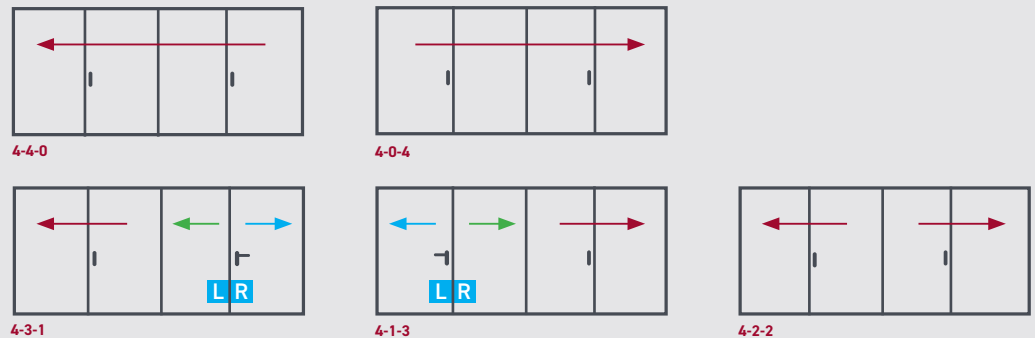
Two door



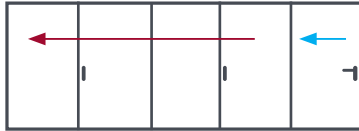
Three door



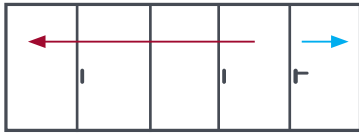
Four door



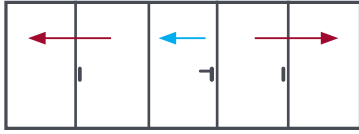
Five door



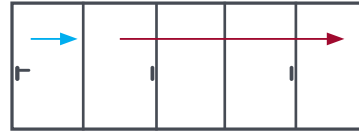
5-5-0



5-4-1



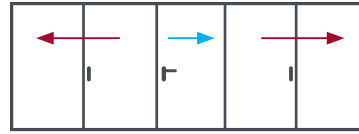
5-3-2



5-0-5

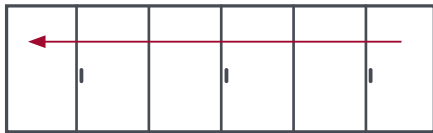


5-1-4



5-2-3

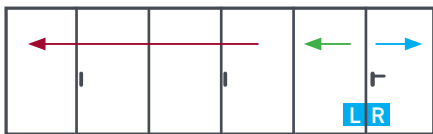
Six door



6-6-0



6-0-6



6-5-1



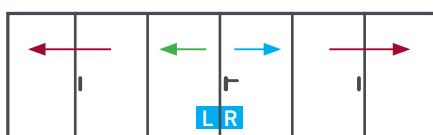
6-1-5



6-4-2

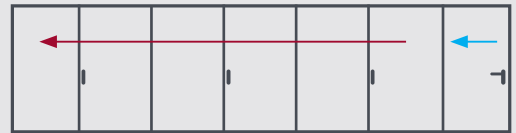


6-2-4



6-3-3

Seven door



7-7-0



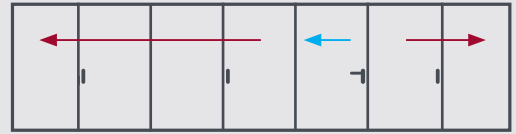
7-0-7



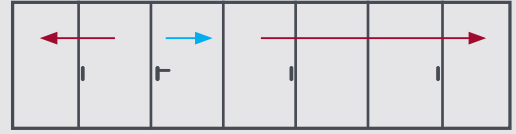
7-6-1



7-1-6



7-5-2



7-2-5



7-4-3

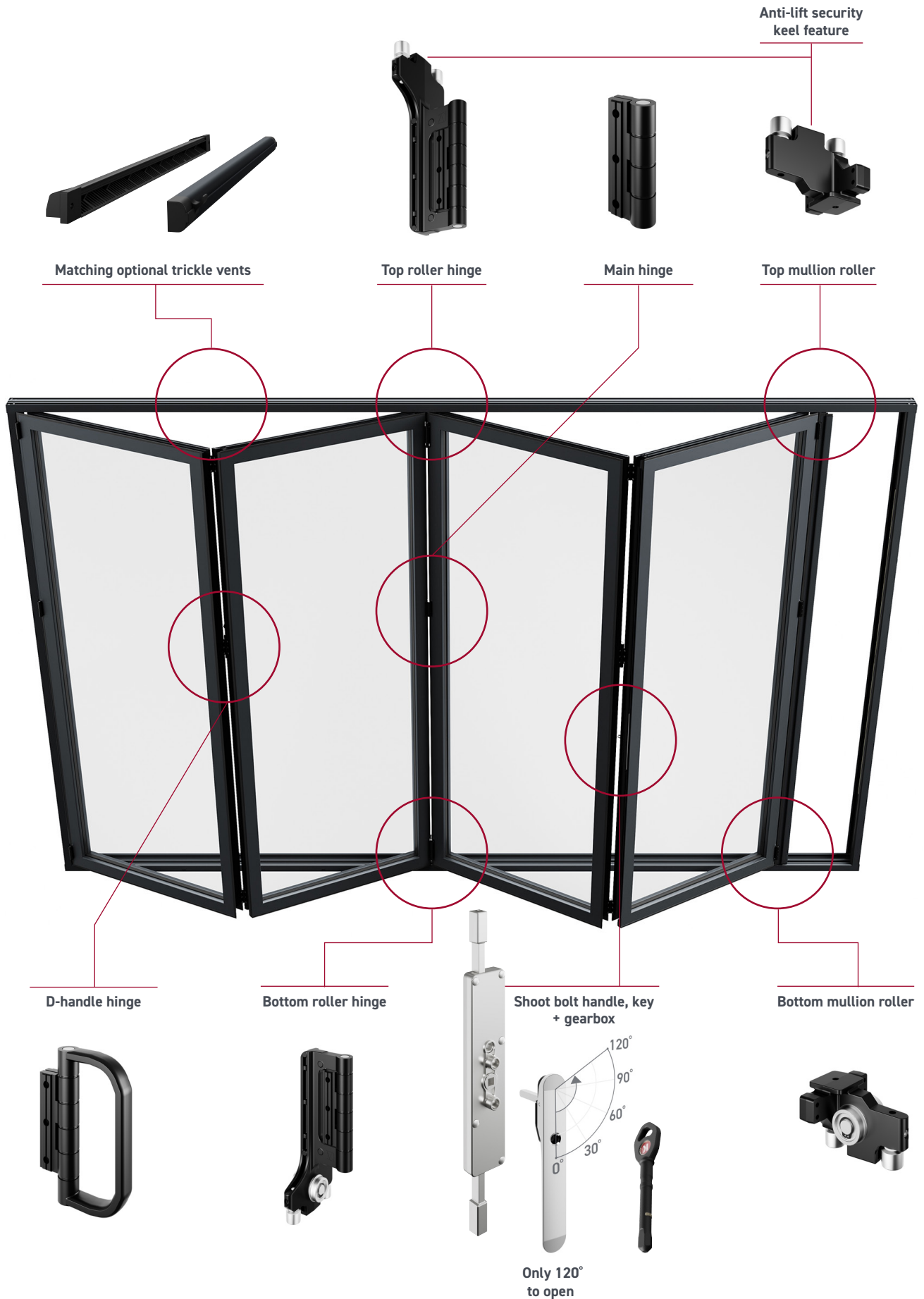


7-3-4



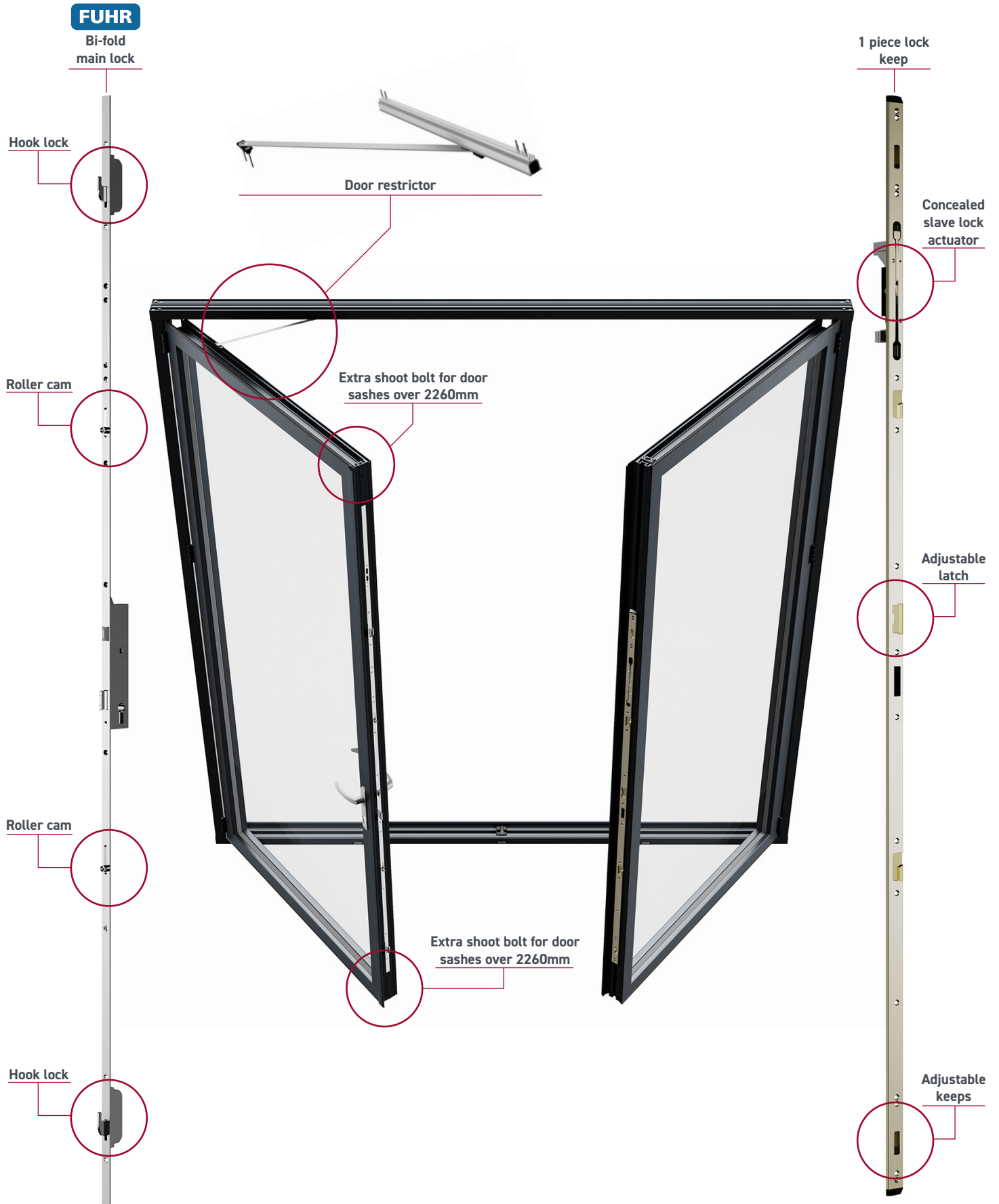
BI-FOLDING DOOR PROFILE INFORMATION

Hardware





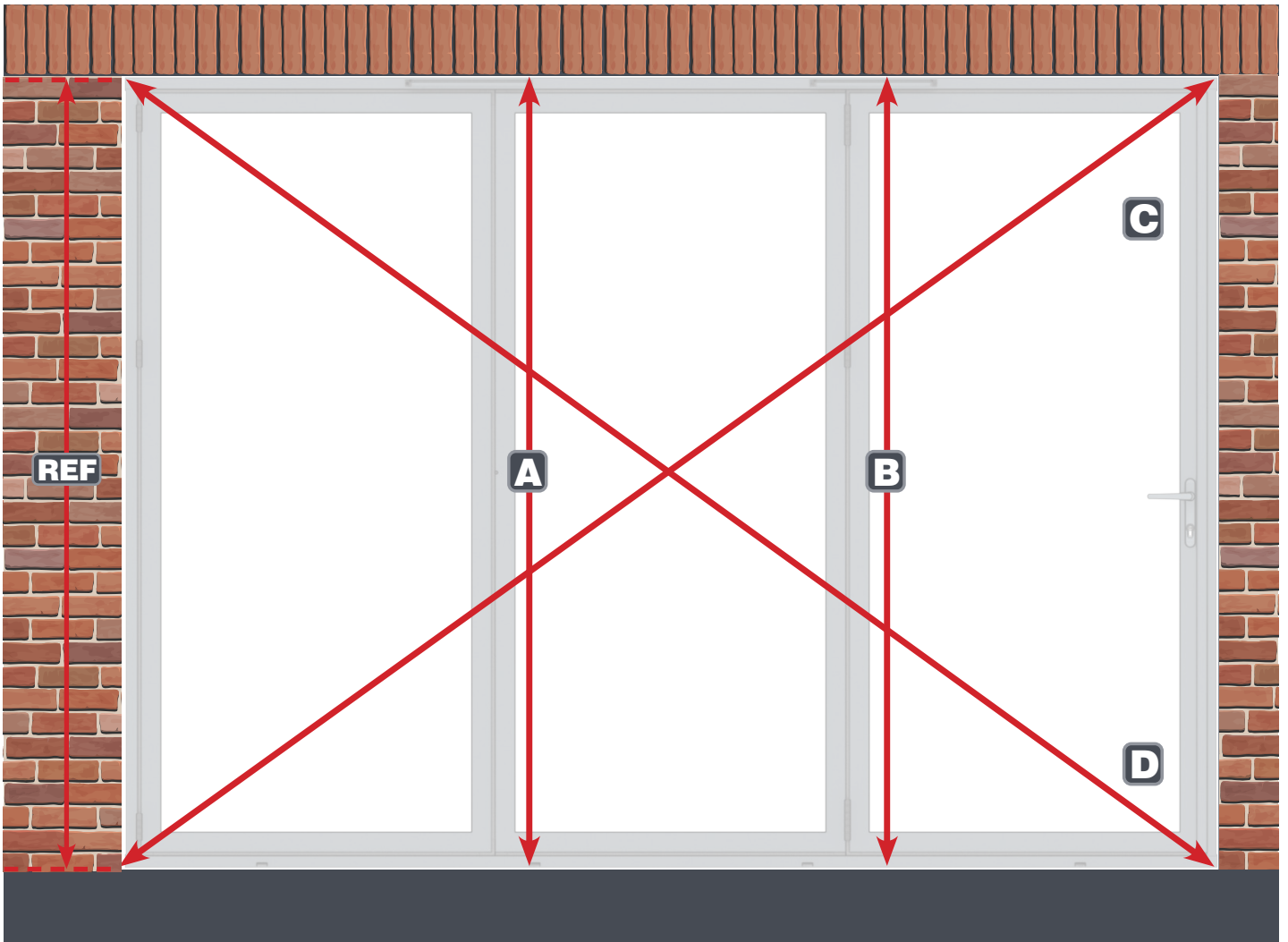
BI-FOLDING DOOR Hardware





BI-FOLDING DOOR

Survey guide



Allow 10mm clearance on height and width, opening must be square observe above checking dimensions.

REF=A=B ± 1mm
C=D ± 1mm

Warranty

10 year manufacturer's guarantee

Korniche products are engineered to ensure the highest quality in the market. Good engineering in itself is a guarantee of reliability but for total peace of mind all Korniche products come with a comprehensive 10 year warranty* against all parts and manufacturing.



Brand product partner

Part of the brand that delivers the multi-award winning Korniche roof lantern



*See T&C for details of commercial use and marine environment